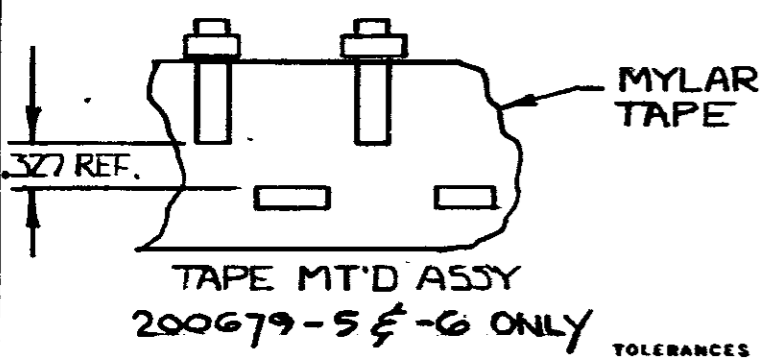
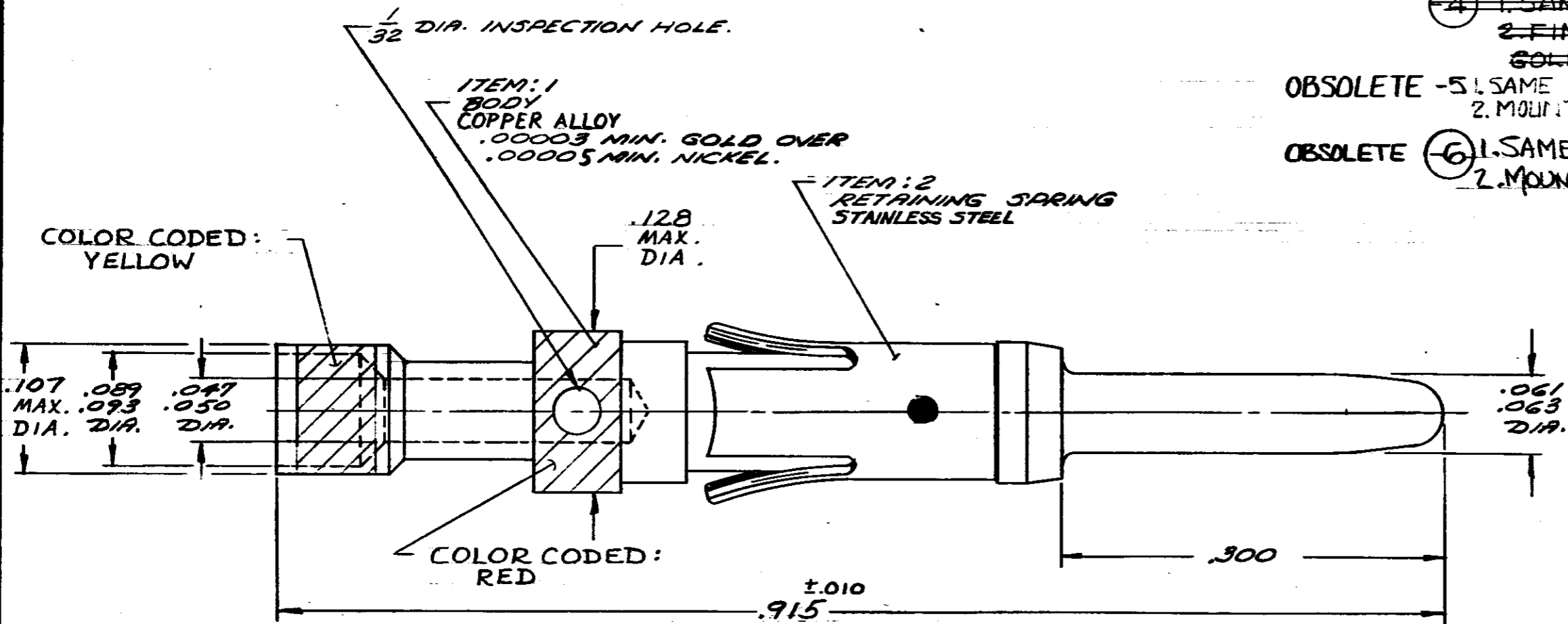


WHEN ORDERING CONTACT ON TAPE, ORDER BY THE TAPE NUMBER PLUS THE PACKAGING CODE AS FOLLOWS:

1. FOR USE WITH AMP TAPETRONIC, PNEUMATIC TOOL-
 - A. 1000 PARTS TO A BOX ADD PACKAGING CODE: 1MBOX
2. FOR USE WITH 4/8 INDENT STRIPPER CRIMPER-
 - A. 1000 PARTS TO A REEL ADD PACKAGING CODE: 1MREEL
 - B. 5000 PARTS TO A REEL ADD PACKAGING CODE: 5MREEL

- (-1) 1. AS SHOWN.
- (-2) 1. SAME AS -1 EXCEPT:
2. FINISH: ITEM 1: .0001 MIN. AVE SILVER OVER .00003 MIN. NICKEL.
- OBSOLETE (-3) 1. SAME AS -1 EXCEPT:
2. FINISH ITEM 1: .000015 MIN. GOLD OVER .00005 MIN. NICKEL.
- (-4) 1. SAME AS -1 EXCEPT:
2. FINISH ITEM 1: .00003 MIN. GOLD OVER .00003 MIN. NICKEL.
- OBSOLETE (-5) 1. SAME AS -1 EXCEPT:
2. MOUNTED ON TAPE.
- OBSOLETE (-6) 1. SAME AS -4 EXCEPT:
2. MOUNTED ON TAPE.



TOLERANCES EXCEPT AS NOTED:
 DECIMALS: ± .008
 FRACTIONS: ± 1/64
 ANGLES: ± 12°

| REV | DESCRIPTION | DATE | DR | CHK |
|-----|-----------------------|-------|-----|------|
| V | OBS -3 PER ECN 802619 | 10-89 | SW | J.S. |
| U | OBSOLETE -5 BD3036 | 9-89 | THW | 3-89 |
| T | REV PER ECN 802619 | 3-89 | THW | 5-89 |
| S | OBS -6 / SA623 | 5-89 | THW | 5-89 |
| LTR | REVISION RECORD | | DR | CHK |

| | | | | | | |
|------------------|-----------------------|-----------------|------------------------------------------------------------------------------------------------------------|-----|----------------------------------------|-----------|
| NUMBER 200679 | REQUIRED PER ASSEMBLY | | ©1967 BY AMP INCORPORATED. ALL RIGHTS RESERVED. AMP PRODUCTS COVERED BY PATENTS AND/OR PATENTS PENDING. | | CUSTOMER COPY REFERENCE ONLY | |
| | DR | P. Owen 2-24-61 | MATERIAL AND FINISH SEE CALL OUT | | AMP INCORPORATED HARRISBURG, PENNA. | |
| | CHK | | WIRE - RANGE - INSULATION 24-20 - H | | CLASS SPECIAL SHORT | |
| | DE | 2-28-61 | TOLERANCE - EXCEPT AS NOTED ± .015 | | TYPE II | |
| APP | J. Zimmerman 2-28-61 | SCALE | 10-1 | LOC | BD B | NO 200679 |
| DESCRIPTION | | | NAME #16 CONTACT - PIN | | | |

CUSTOMER DRAWING

DIMENSIONS IN INCHES. DO NOT SCALE PRINT.

单击下面可查看定价，库存，交付和生命周期等信息

[>>TE Connectivity\(泰科\)](#)