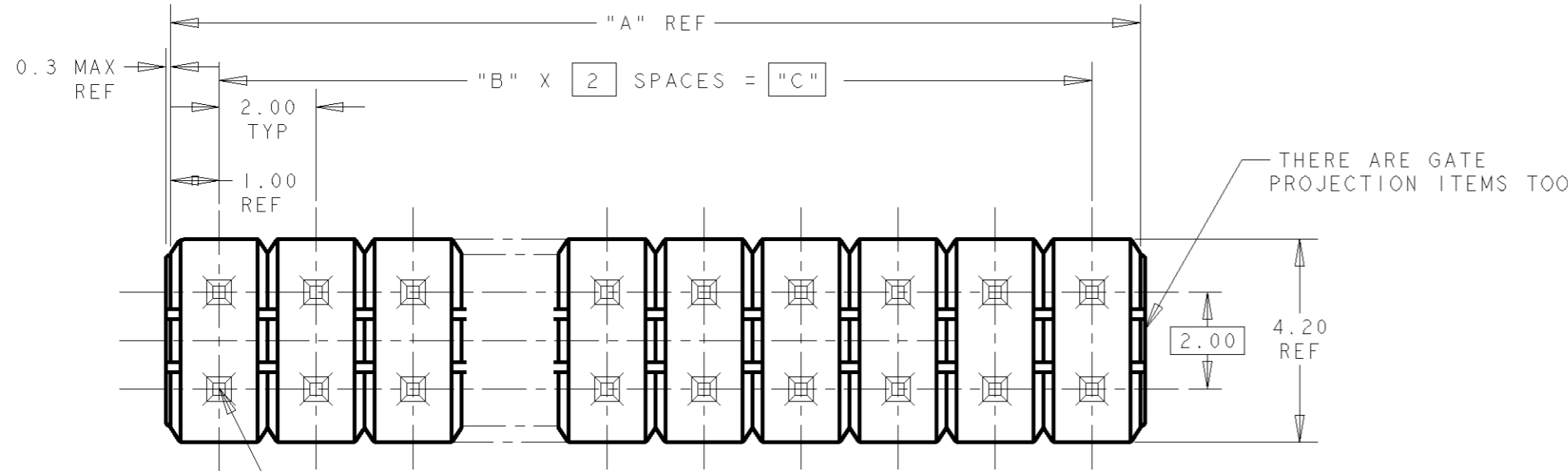


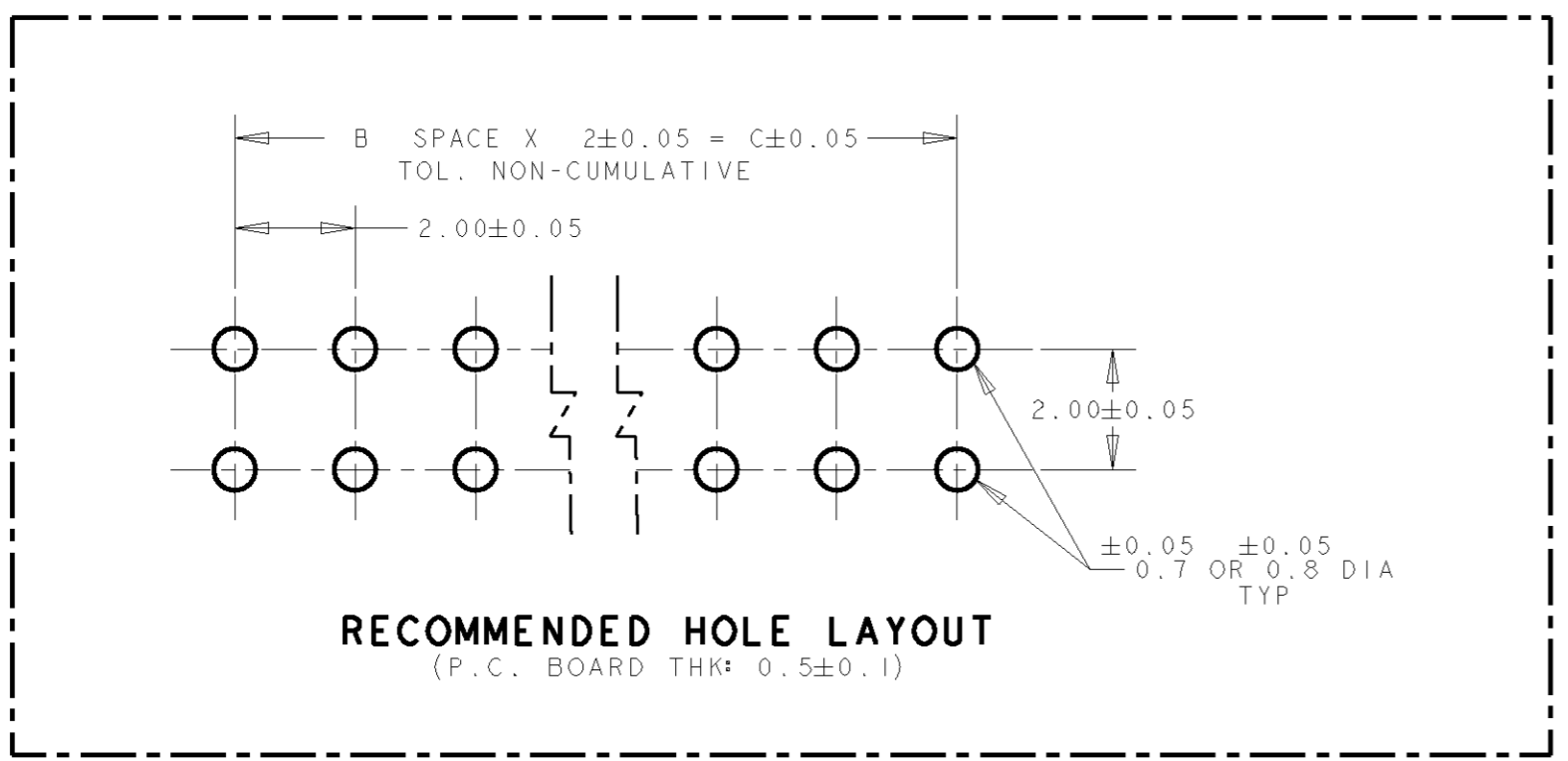
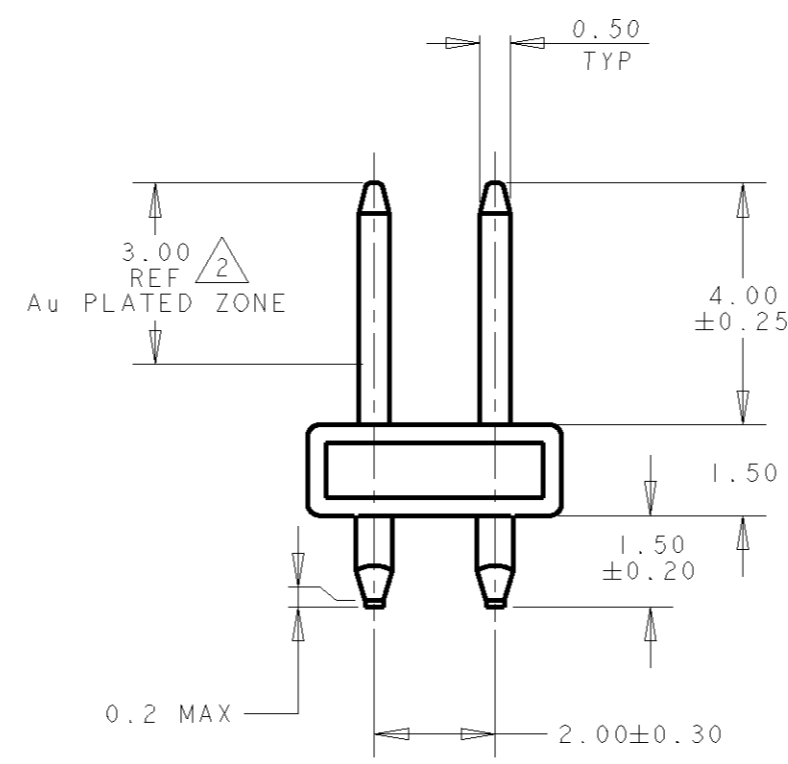
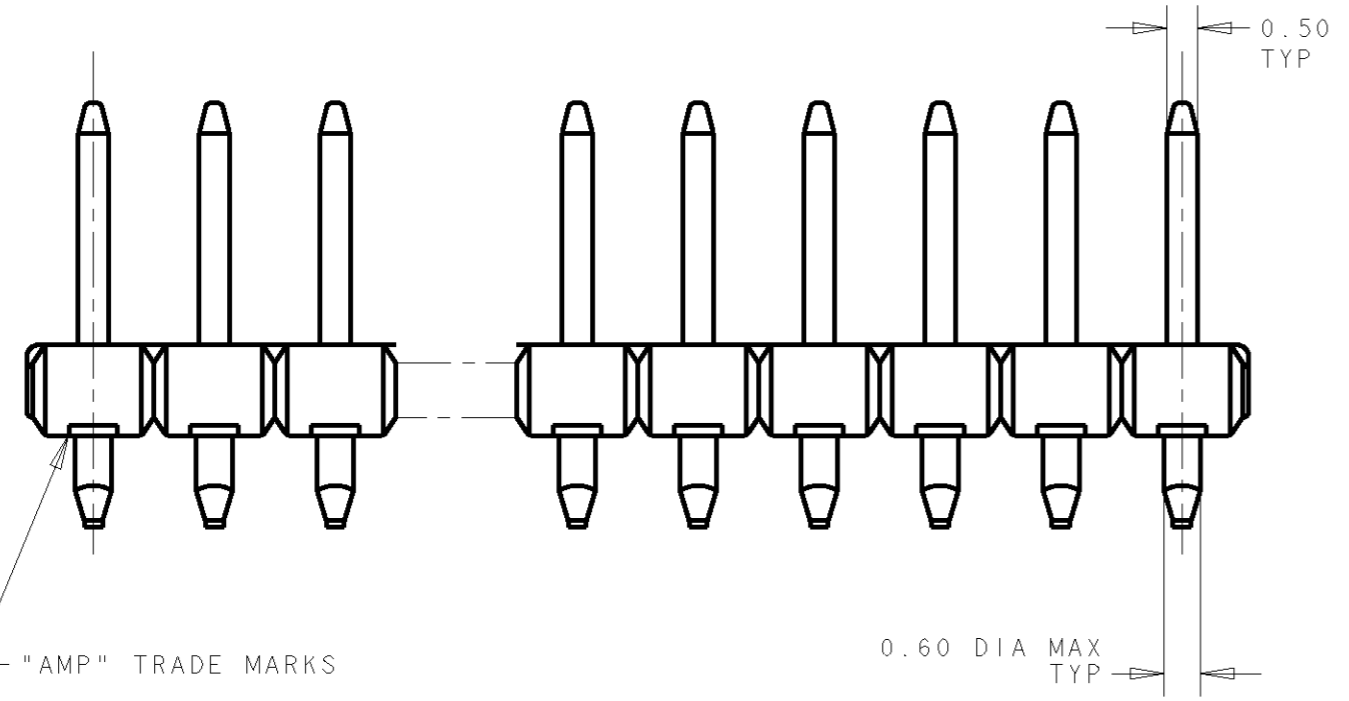
THIS DRAWING IS UNPUBLISHED. RELEASED FOR PUBLICATION  
 © COPYRIGHT BY ALL RIGHTS RESERVED.

LOC	DIST	REVISIONS			
P	LTR	DESCRIPTION	DATE	DWN	APVD
DY	-	P REVISED PER ECO-11-005139	19MAR11	RK	HMR



NOTES:  
 1 MATERIAL HOUSING: THERMOPLASTIC, UL94V-0, POST: BRASS  
 2 FINISH CONTACT AREA, 'D' MIN Au ON NICKEL 0.0013 MIN ALL OVER POST TINE: 0.001 MIN MATTE TIN

0.6 TOTAL TYP POST TIP



0.00076	48	24	50	50	4-	-9
0.0002	46	23	48	48	4-	-8
	44	22	46	46	4-	-7
	42	21	44	44	4-	-6
	40	20	42	42	4-	-5
	38	19	40	40	4-	-4
	36	18	38	38	4-	-3
	34	17	36	36	4-	-2
	32	16	34	34	4-	-1
	30	15	32	32	3-	-9
	28	14	30	30	3-	-8
	26	13	28	28	3-	-7
	22	11	24	24	3-	-5
	20	10	22	22	3-	-4
	16	8	18	18	3-	-2
	14	7	16	16	3-	-1
	12	6	14	14	3-	-0
	10	5	12	12	2-	-9
	8	4	10	10	2-	-8
	6	3	8	8	2-	-7
	4	2	6	6	2-	-6
0.00076	2	1	4	4	2-	-5
	48	24	50	50	2-	-4
	46	23	48	48	2-	-3
	44	22	46	46	2-	-2
	42	21	44	44	2-	-1
	40	20	42	42	2-	-0
	38	19	40	40	1-	-9
	36	18	38	38	1-	-8
	34	17	36	36	1-	-7
	32	16	34	34	1-	-6
	30	15	32	32	1-	-5
	28	14	30	30	1-	-4
	24	12	26	26	1-	-2
	22	11	24	24	1-	-1
	20	10	22	22	1-	-0
	18	9	20	20		-9
	16	8	18	18		-8
	12	6	14	14		-6
	8	4	10	10		-4
0.0002	2	1	4	4		5178751-1
"D"	"C"	"B" SPACES	"A" REF	NO OF POS	ASS'Y P/N	

DIMENSIONS: mm		TOLERANCES UNLESS OTHERWISE SPECIFIED:		DWN WYLEE 5APR05		TE Connectivity	
		0 PLC ± 1 PLC ± 2 PLC ± 3 PLC ± 4 PLC ± ANGLES ± FINISH		CHK VINCENT TAN APVD SE LEONG PRODUCT SPEC APPLICATION SPEC WEIGHT -		NAME AMPMODU 2mm PITCH POST HEADER, V-TYPE, L=1.5	
GENERAL TOLERANCE		MATERIAL		SIZE A2		CAGE CODE 00779	
0<+< 10 : ±0.2 10<+< 30 : ±0.25 30<+< 100 : ±0.3 ANGLES : ±3°		1 2		DRAWING NO 5178751		SCALE 8:1 SHEET OF REV P	
CUSTOMER DRAWING							

5178751

单击下面可查看定价，库存，交付和生命周期等信息

[>>TE Connectivity\(泰科\)](#)