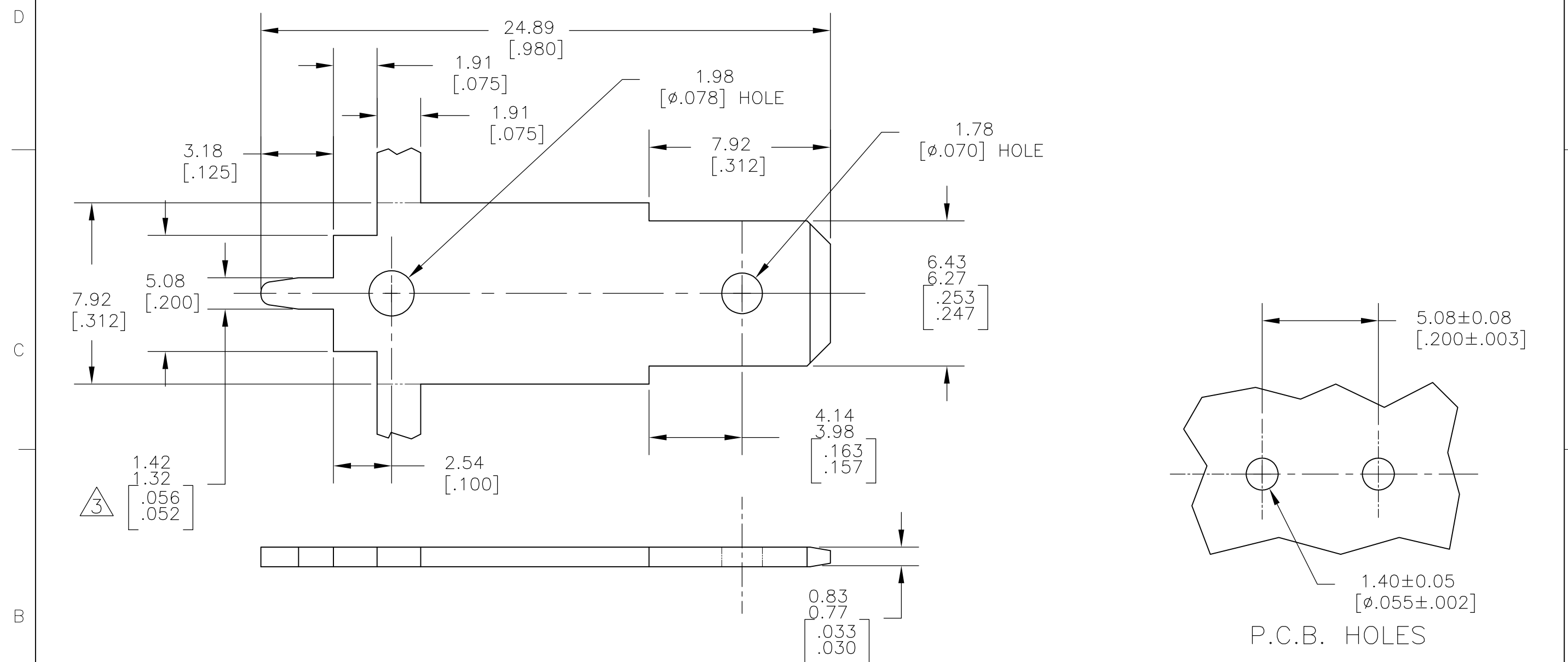


LOC	DIST	REVISIONS					
AF	50	P	LTR	DESCRIPTION	DATE	DWN	APVD
		E		REVISED PER ECR-13-001204	27JUN13	KH	PD



- 1 CONTINUOUS STRIP ON REELS
- 2 TIN PLATE 0.00381 [.000150] MIN OVER 0.00254 [.000100] MIN THK COPPER.
- 3 FINAL DIMENSION MUST BE APPROVED BY CUSTOMER BEFORE PURCHASE ORDER.

1217153-1  
PART NO.

THIS DRAWING IS A CONTROLLED DOCUMENT.		DWN	JR RUTH	14FEB01	TE Connectivity	NAME		TAB, FASTON, P.C.BOARD				
DIMENSIONS: mm[INCHES]		CHK	MS FEHER	14FEB01		PRODUCT SPEC		6.35 [.250] SERIES				
TOLERANCES UNLESS OTHERWISE SPECIFIED:		APVD	N DEIBERT	14FEB01		APPLICATION SPEC		SIZE	CAGE CODE	DRAWING NO		
0 PLC ± - 1 PLC ± - 2 PLC ± 0.25 [.010] 3 PLC ± - 4 PLC ± - ANGLES ± -		WEIGHT		114-2112		A3	00779	C-1217153	RESTRICTED TO			
MATERIAL	BRASS	FINISH		2	CUSTOMER DRAWING		SCALE	6:1	SHEET	1 OF 1	REV	E

单击下面可查看定价，库存，交付和生命周期等信息

[>>TE Connectivity\(泰科\)](#)