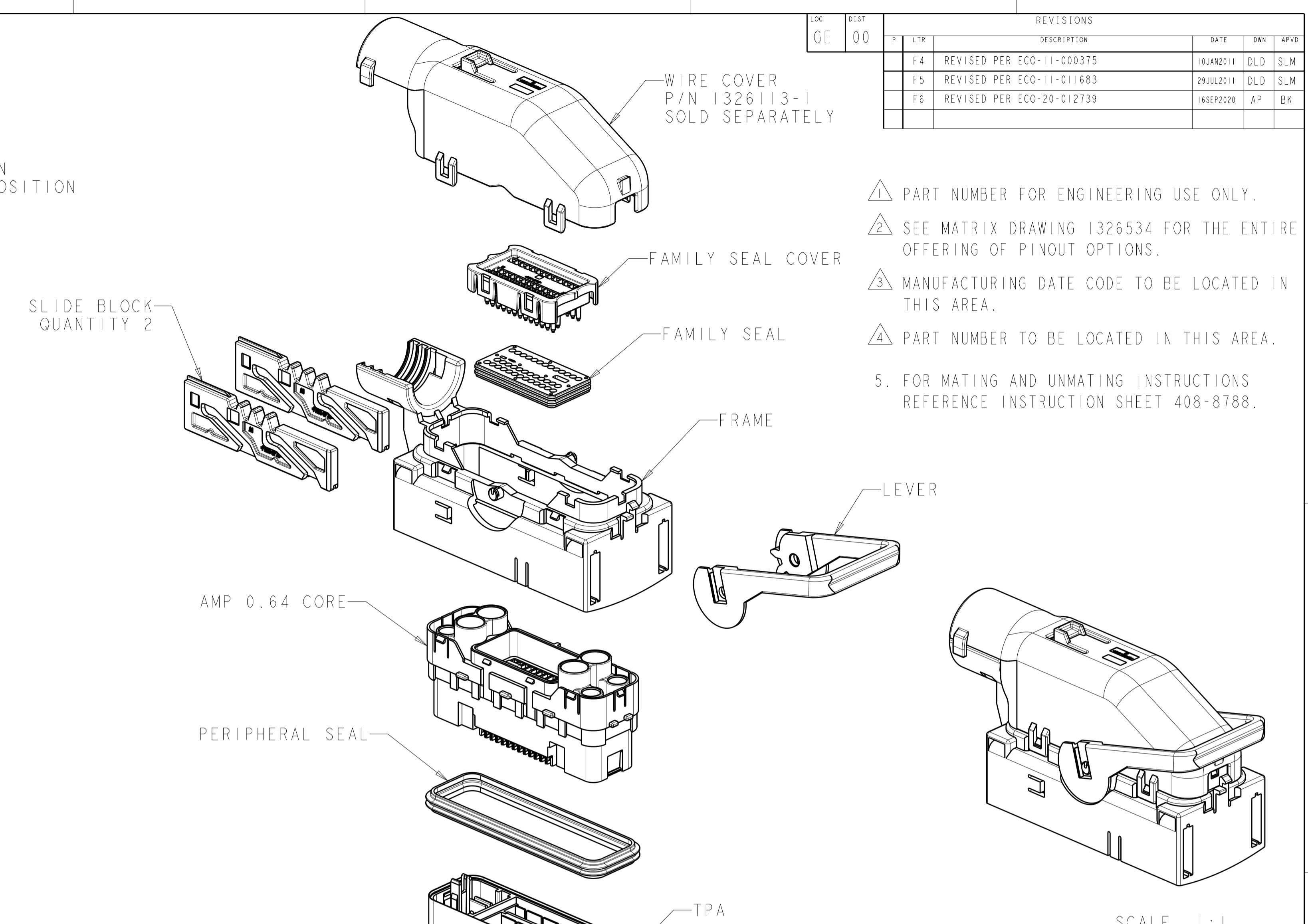
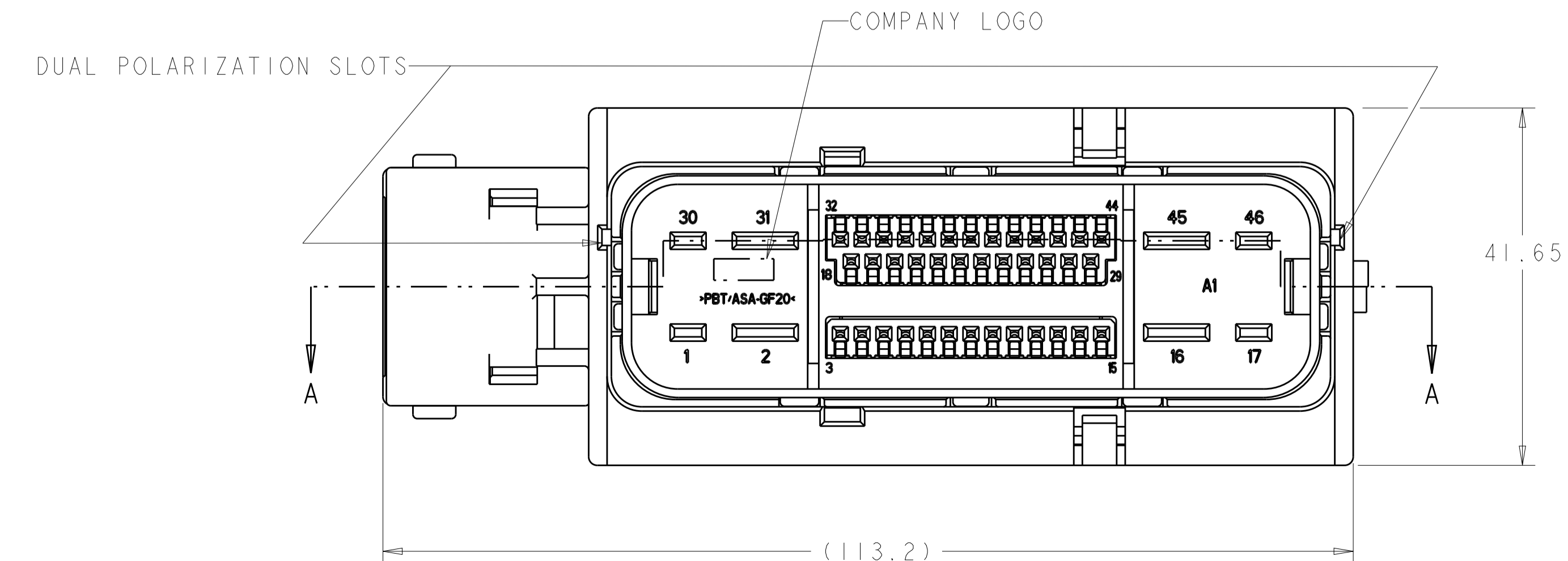
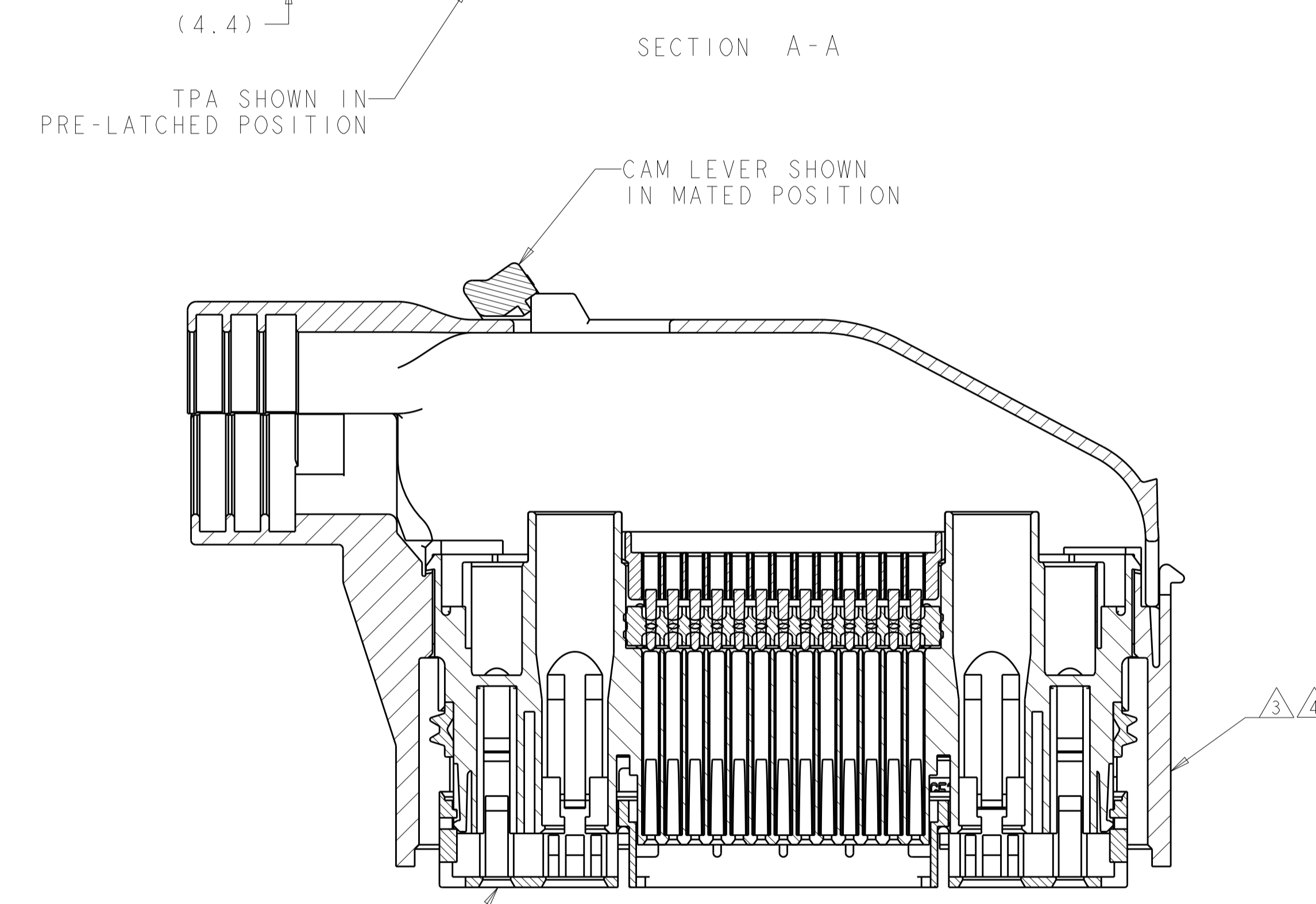
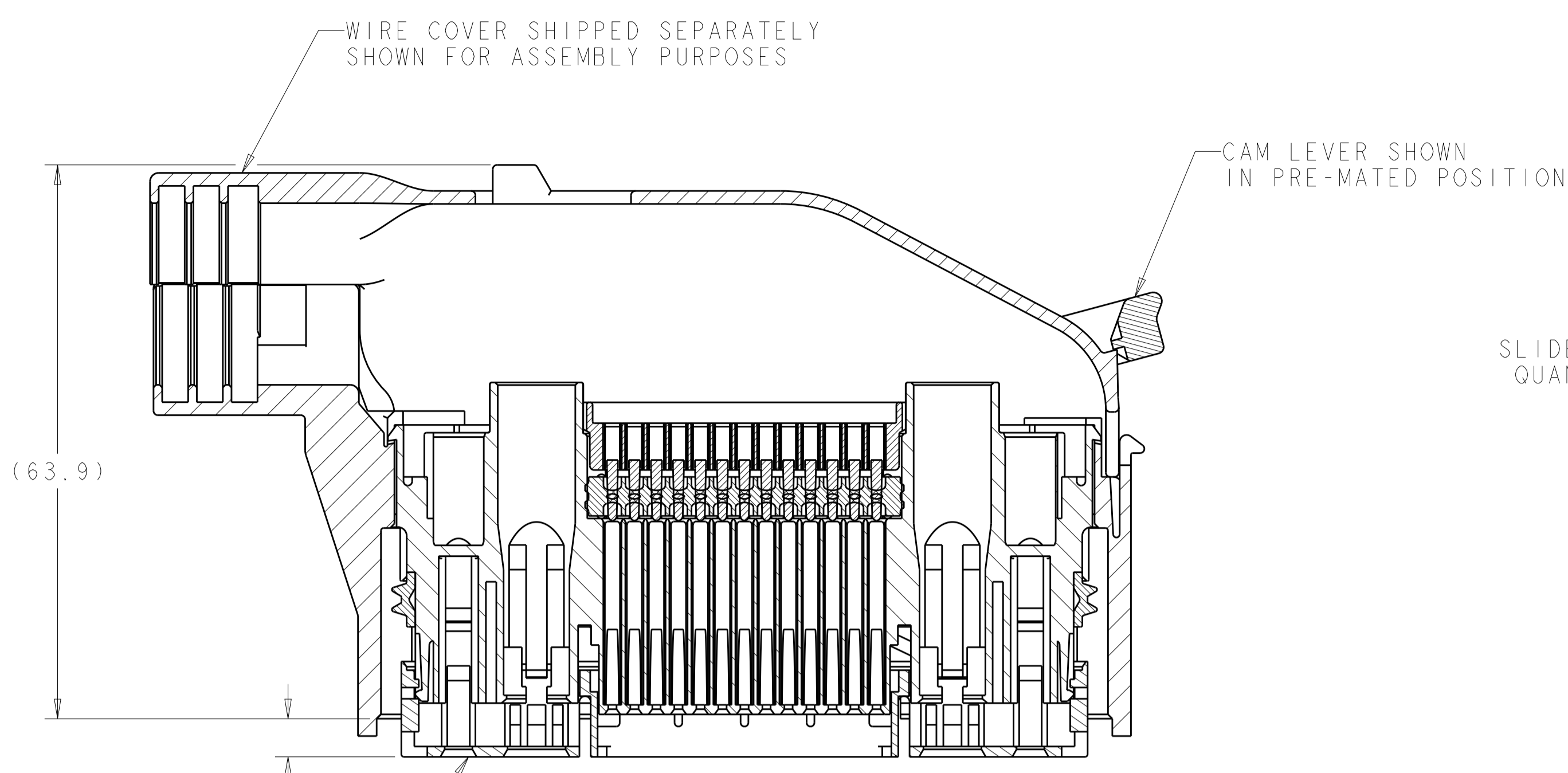


LOC	DIST	REVISIONS					
GE	00	P	LTN	DESCRIPTION	DATE	DWN	APVD
		F4		REVISED PER ECO-11-000375	10JAN2011	DLD	SLM
		F5		REVISED PER ECO-11-011683	29JUL2011	DLD	SLM
		F6		REVISED PER ECO-20-012739	16SEP2020	AP	BK



- 1 PART NUMBER FOR ENGINEERING USE ONLY.
- 2 SEE MATRIX DRAWING 1326534 FOR THE ENTIRE OFFERING OF PINOUT OPTIONS.
- 3 MANUFACTURING DATE CODE TO BE LOCATED IN THIS AREA.
- 4 PART NUMBER TO BE LOCATED IN THIS AREA.
- 5. FOR MATING AND UNMATING INSTRUCTIONS REFERENCE INSTRUCTION SHEET 408-8788.

		2.8mm ALWAYS BLOCKED 6.3mm ALWAYS OPEN				6.3mm ALWAYS OPEN 2.8mm ALWAYS BLOCKED				2.8mm ALWAYS BLOCKED 6.3mm ALWAYS OPEN				6.3mm ALWAYS OPEN 2.8mm ALWAYS BLOCKED																																	
	1	0	4	5	6	7	8	9	10			15	0	17	19	21	22	24	25			29	30	0	33	35	36	37	38	39	40			0	46	4-1326339-6											
	1	0		5	6	7			11			14	15	0	17		20						28	29	30	0	33	34	35	36			40			0	46	4-1326339-5									
OBSOLETE	1	0	4	5	6	7	8	9	10	11		14	15	0	17	19	21	22	23	24	25		28	29	30	0	33	35	36	37	38	39	40			0	46	4-1326339-4									
OBSOLETE	1	0	4	5	6	7	8	9	11			14	15	0	17	19	21	22	23	25		28	29	30	0	33	35	36	37	38	40			0	46	4-1326339-3											
OBSOLETE	1	0	4	5	6	7	8	9	11			14	15	0	17	18	19	21	22	23	25		28	29	30	0	33	35	36	37	38	40			0	46	4-1326339-2										
	1	0	4	5	6	7	8	9	10	11		14	15	0	17	19	20	22	23	24	25		28	29	30	0	33	34	35	36	37	38	39	40	43	44	0	46	4-1326339-1								
	1	0		5	6	7			11			14	0	17		20							28	30	0	33	34	35	36			40			0	46	3-1326339-7										
	1	0		5	6	7	8	9	10	11		14	15	0	17		20	22	23	24	25		28	29	30	0	33	34	35	36	37	38	39	40		0	46	3-1326339-6									
	1	0		5	6	7	8	9	10	11		14	0	17		20	22	23	24	25		28	30	0	33	34	35	36	37	38	39	40		0	46	3-1326339-5											
	1	0	4	5	6	7	8	9	10	11		14	15	0	17	19	20	21	22	23	24	25		28	29	30	0	33	34	35	36	37	38	39	40		0	46	1326339-9								
	1	0	4	5	6	7	8	9	11			14	15	0	17	19	21	22	23	25		28	29	30	0	33	35	36	37	38	40			0	46	1326339-8											
	1	0	4	5	6	7	8	9	10	11		14	15	0	17	19	21	22	23	24	25		28	29	30	0	33	35	36	37	38	39	40		0	46	1326339-7										
	1	0	4	5	6	7	8	9	10	11		14	15	0	17	19	20	21	22	23	24	25		28	29	30	0	33	34	35	36	37	38	39	40	43	44	0	46	1326339-6							
	1	0	4	5	6	7	8	9	10	11		14	15	0	17	19	21	22	23	24	25		28	29	30	0	33	35	36	37	38	39	40		0	46	1326339-5										
	1	0	4	5	6	7	8	9	10	11		14	15	0	17	19	20	22	23	24	25		28	29	30	0	33	34	35	36	37	38	39	40	43	44	0	46	1326339-4								
	1	0	4	5	6	7	8	9	10	11		14	15	0	17	19	20	21	22	23	24	25		28	29	30	0	33	34	35	36	37	38	39	40	43	44	0	46	1326339-3							
	1	0	3	4	5	6	7	8	9	10	11	12	13	14	15	0	17	18	19	20	21	22	23	24	25	26	27	28	29	30	0	32	33	34	35	36	37	38	39	40	41	42	43	44	0	46	1326339-2
	1	0													0	17											30	0									0	46	1326339-1								
	1	2	3	4	5	6	7	8	9	10	11	12	13	14	15	16	17	18	19	20	21	22	23	24	25	26	27	28	29	30	31	32	33	34	35	36	37	38	39	40	41	42	43	44	45	46	PART NUMBER

BLANK CIRCUITS = OPEN CAVITIES; CIRCUITS NUMBERED "0" = ALWAYS OPEN CAVITIES; NUMBERED CIRCUITS = BLOCKED CAVITIES

DIMENSIONS: mm		TOLERANCES UNLESS OTHERWISE SPECIFIED:	
0 PLC	±	0 PLC	±1.00
1 PLC	±	1 PLC	±0.50
2 PLC	±	2 PLC	±0.10
3 PLC	±	3 PLC	±0.05
4 PLC	±	4 PLC	±0.05
ANGLES	±	ANGLES	±0.05

MATERIAL: . FINISH: .

THIS DRAWING IS A CONTROLLED DOCUMENT. DWN: R. VESTAL 17AUG2004. CHK: J. TONEY 17AUG2004. APVD: J. TONEY 17AUG2004.

NAME: PLUG ASSEMBLY, 46 POSITION, LEFT HAND WIRE EXIT, WITH CHANGEABLE CORE, EBC-440 2.8 TERMINAL POSITIONS BLOCKED. SIZE: CAGE CODE: DRAWING NO: A100779. WEIGHT: .

CUSTOMER DRAWING. SCALE: 2:1. SHEET 1 OF 2. REV: F6.

单击下面可查看定价，库存，交付和生命周期等信息

[>>TE Connectivity\(泰科\)](#)