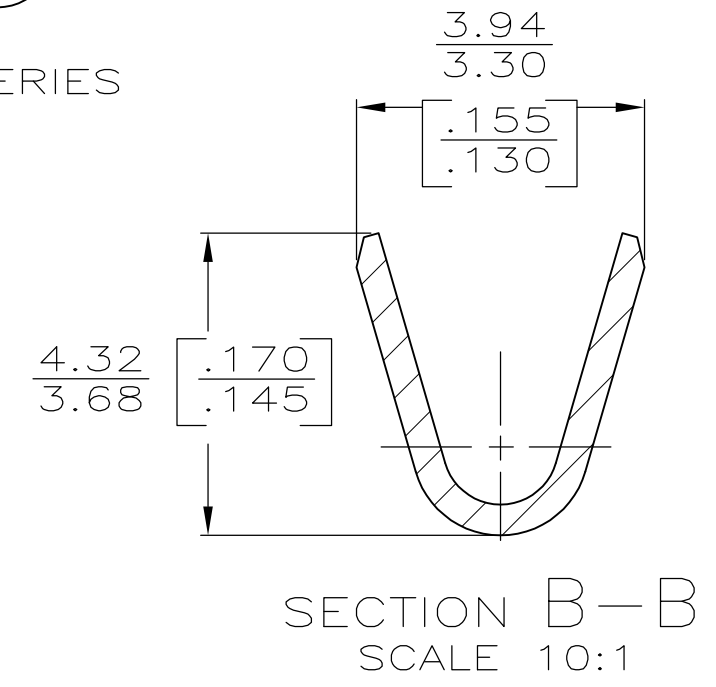
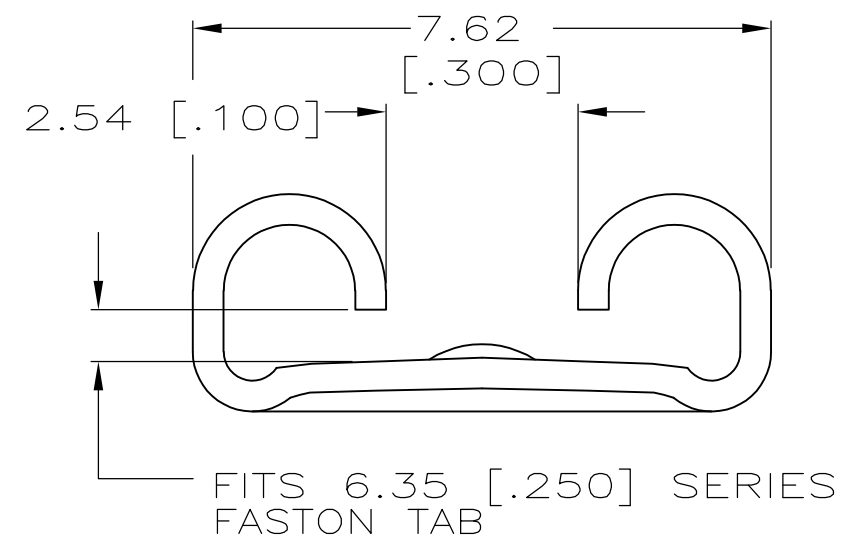
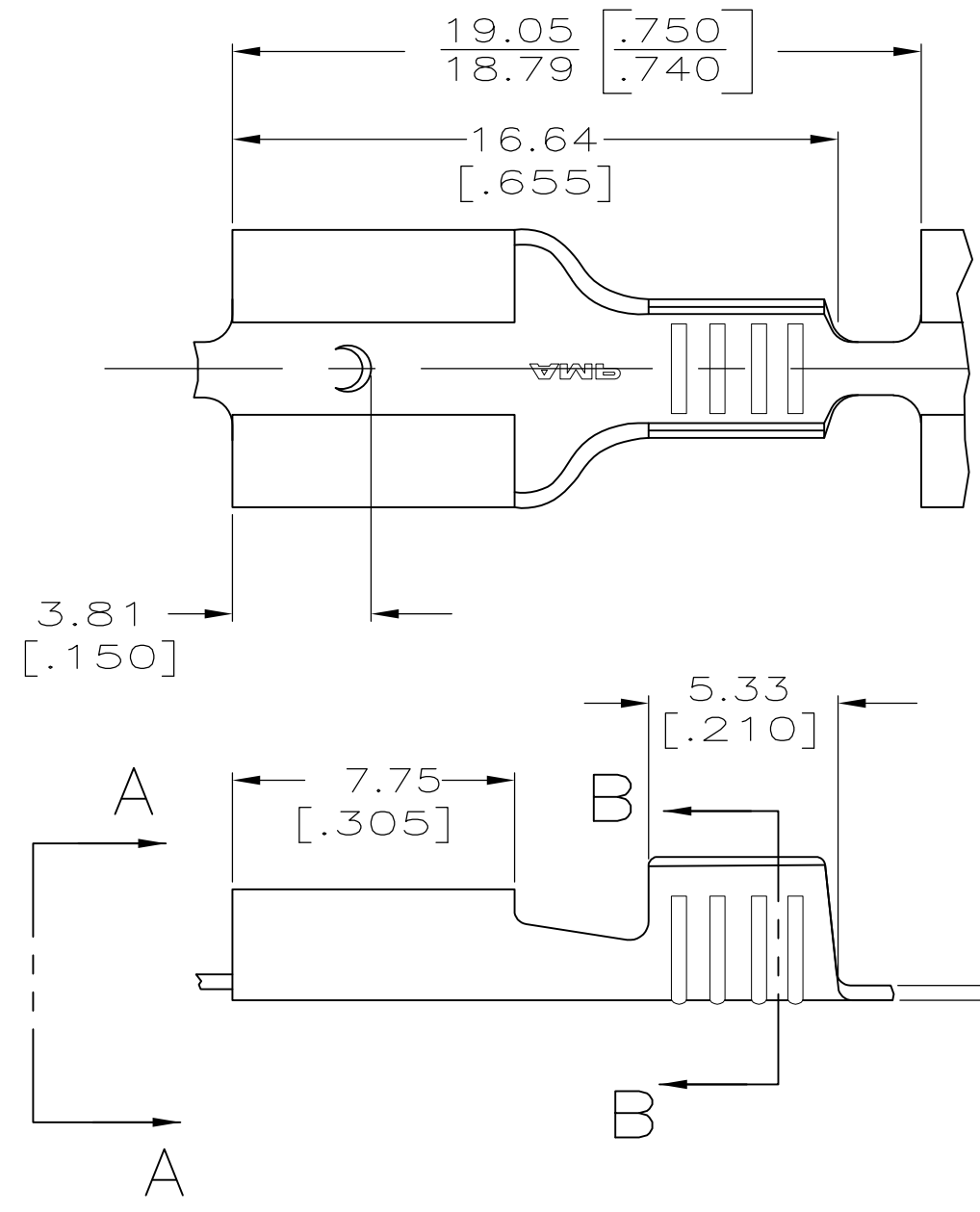



THIS DRAWING IS UNPUBLISHED. RELEASED FOR PUBLICATION
 © COPYRIGHT - By - ALL RIGHTS RESERVED.

LOC	DIST	REVISIONS					
AF	50	P	LTR	DESCRIPTION	DATE	DWN	APVD
		F		REVISED PER ECR-12-013459	28NOV2012	KH	PD

1 CONTINUOUS STRIP ON REELS.



TIN	0.8-2.0mm ²	0.813	60938-2
-	[18-14]	[.032]	60938-1
FINISH	WIRE SIZE	MATING TAB THK ±0.025 ±[.001]	PART NO

THIS DRAWING IS A CONTROLLED DOCUMENT.		DWN	JR RUTH	3/15/90	 TE Connectivity RECEPTACLE, FASTON, 6.35 [.250] SERIES			RESTRICTED TO			
DIMENSIONS: mm [INCHES]		CHK	MS FEHER	3/15/90				NAME		-	
TOLERANCES UNLESS OTHERWISE SPECIFIED:		APVD	C MEYERS	3/15/90				PRODUCT SPEC		-	
0 PLC ± - 1 PLC ± - 2 PLC ± - 3 PLC ± 0.25 [.010] 4 PLC ± - ANGLES ± -		APPLICATION SPEC		-				-			
MATERIAL: BRASS		FINISH: SEE TABLE		WEIGHT: -		SIZE	CAGE CODE	DRAWING NO	RESTRICTED TO		
CUSTOMER DRAWING				A300779		C-60938		-			
				SCALE		5:1		SHEET 1 OF 1			
								REV F			

单击下面可查看定价，库存，交付和生命周期等信息

[>>TE Connectivity\(泰科\)](#)