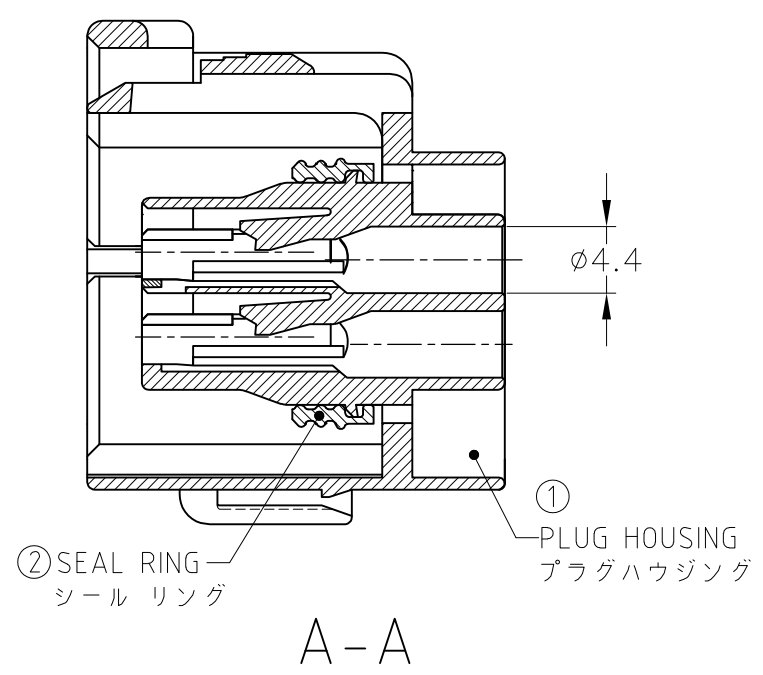
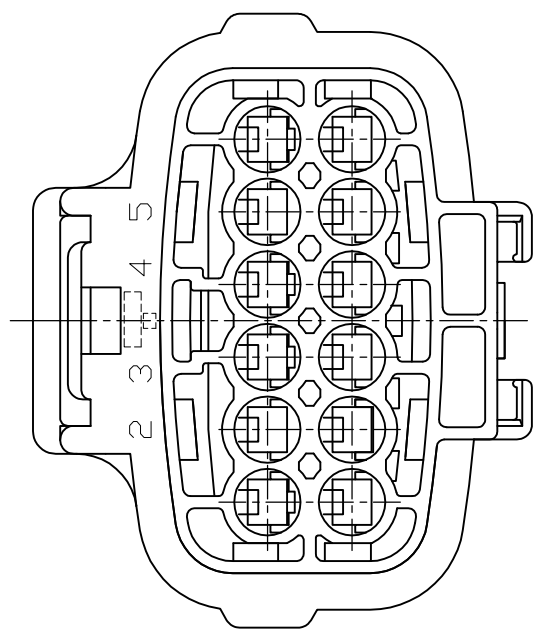
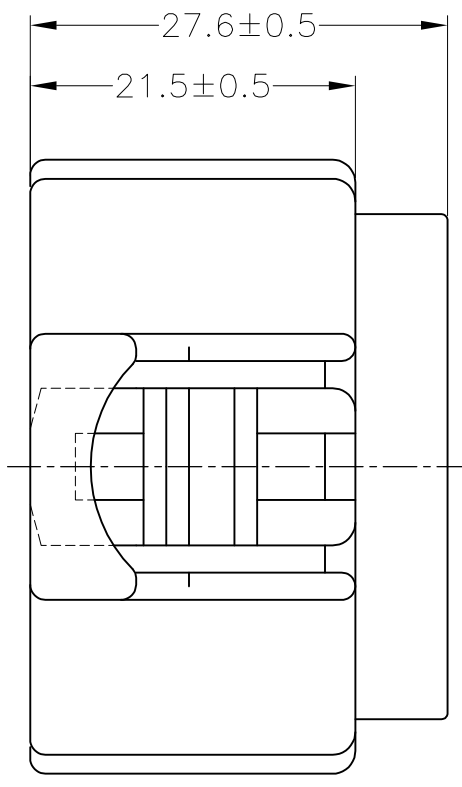
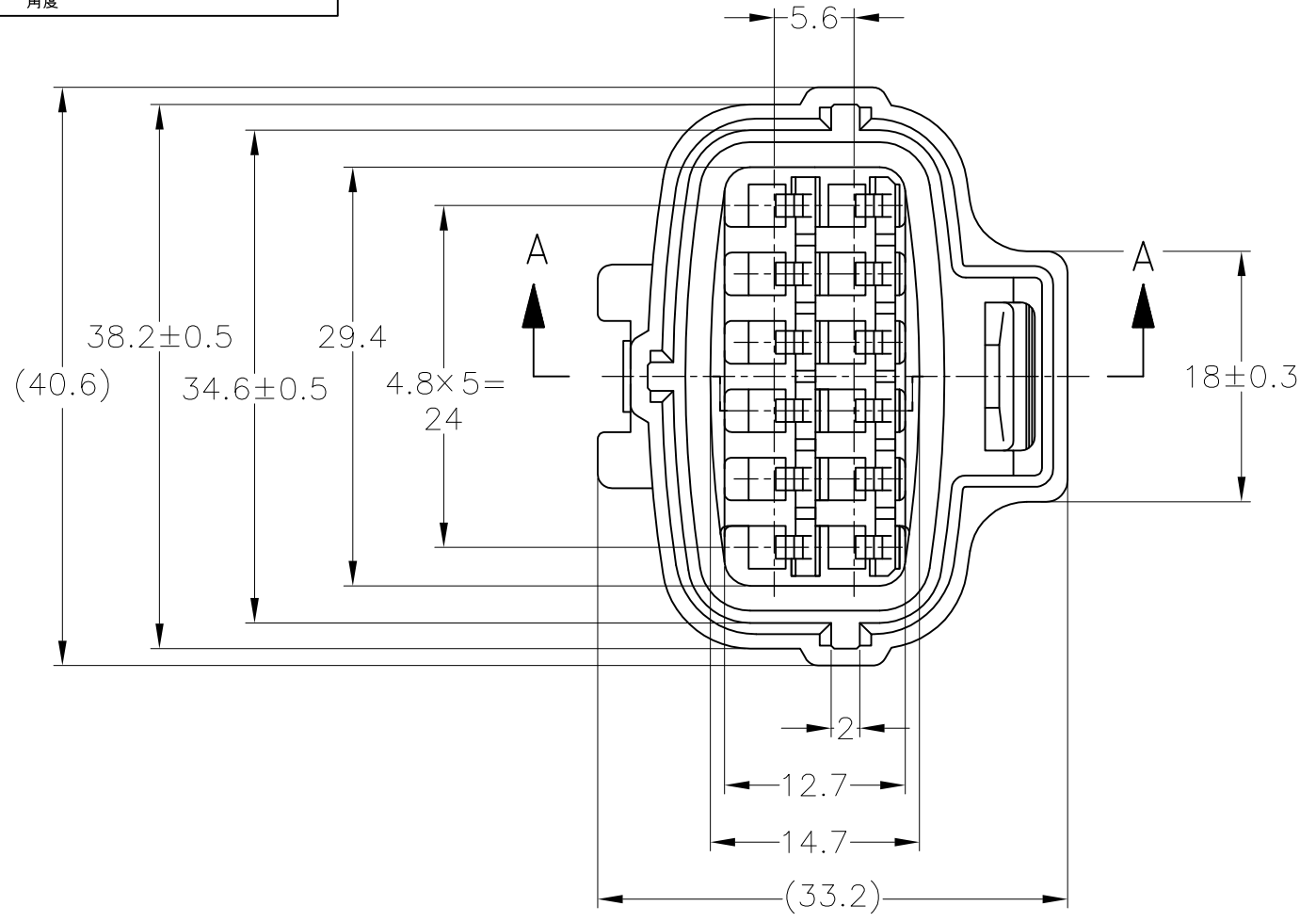


THIS DRAWING IS UNPUBLISHED. RELEASED FOR PUBLICATION
 © COPYRIGHT 2014 By - ALL RIGHTS RESERVED.

| LOC | DIST | REVISIONS | | | | | |
|-----|------|-----------|----------|-------------|---------|-----|------|
| J | - | P | LTR | DESCRIPTION | DATE | DWN | APVD |
| | | A | RELEASED | | 06AUG14 | DM | TK |

TOLERANCE UNLESS OTHERWISE SPECIFIED:
 一般公差
 0 < x ≤ 10 : ±0.2
 10 < x ≤ 30 : ±0.25
 30 < x ≤ 100 : ±0.3
 ANGLE : ±3°
 角度



- 1. 嵌合相手型番：174663
- 2. 本品はプラグハウジング単体にシールリングがアッセンブリされたものである。
- 3. 本品はダブルロックプレート型番 174662を装着して使用する。
- ④ シールリングはフタル酸フリー品である。

- 1. FOR CAP HOUSING PN 174663
- 2. THIS PART IS COMPOSED OF PLUG HOUSING AND SEAL RING
- 3. THIS PART MUST BE USED WITH DOUBLE LOCK PLATE PN 174662
- ④ SEAL RING IS NON-BIS TYPE

| | | |
|------------------|----------------|-------------|
| NBR④/BLACK | PBT/BLACK | 2822638-1 |
| ② SEAL RING | ① PLUG HOUSING | PART NUMBER |
| MATERIAL / COLOR | | |

| | | | | | |
|---|--|--------------------------|---|-------------------------|-----------------|
| THIS DRAWING IS A CONTROLLED DOCUMENT. | | DWN D.MATSUURA 06AUG2014 | TE Connectivity 12Pos. ECONOSEAL J-MARKII+ CONNECTOR PLUG HOUSING | | |
| DIMENSIONS: 単位：mm | | CHK S.IWATANI 06AUG2014 | | | |
| TOLERANCES UNLESS OTHERWISE SPECIFIED: 一般公差 | | APVD T.KOHNO 06AUG2014 | | | |
| 0 PLC ±- 1 PLC ±- 2 PLC ±- 3 PLC ±- 4 PLC ±- ANGLES ±- | | NAME 名称 | | | |
| MATERIAL 材料 SEE TABLE | | FINISH 仕上 | PRODUCT SPEC 製品規格 108-5262 | SIZE A3 | CAGE CODE 00779 |
| | | | APPLICATION SPEC 取付適用規格 114-5082 | DRAWING NO 番号 C-2822638 | RESTRICTED TO - |
| | | | WEIGHT 13.5g | SCALE 尺度 2:1 | SHEET 1 OF 2 |
| | | | CUSTOMER DRAWING | REV A | |

THIS DRAWING IS UNPUBLISHED.

RELEASED FOR PUBLICATION

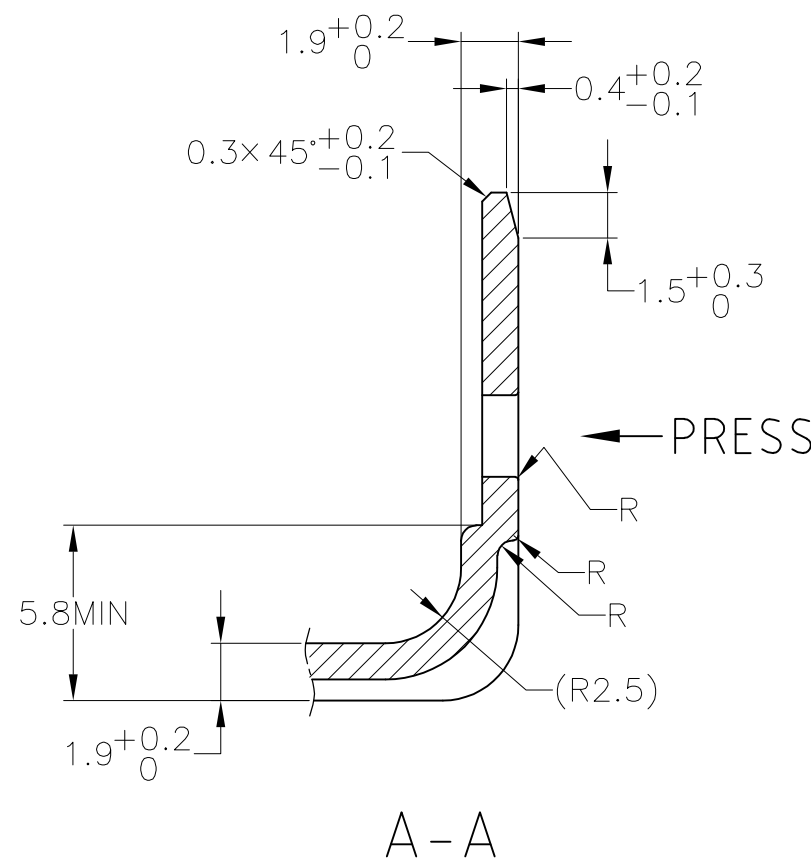
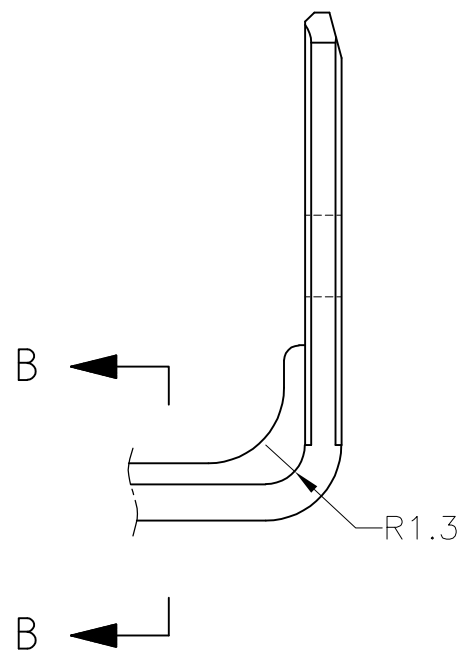
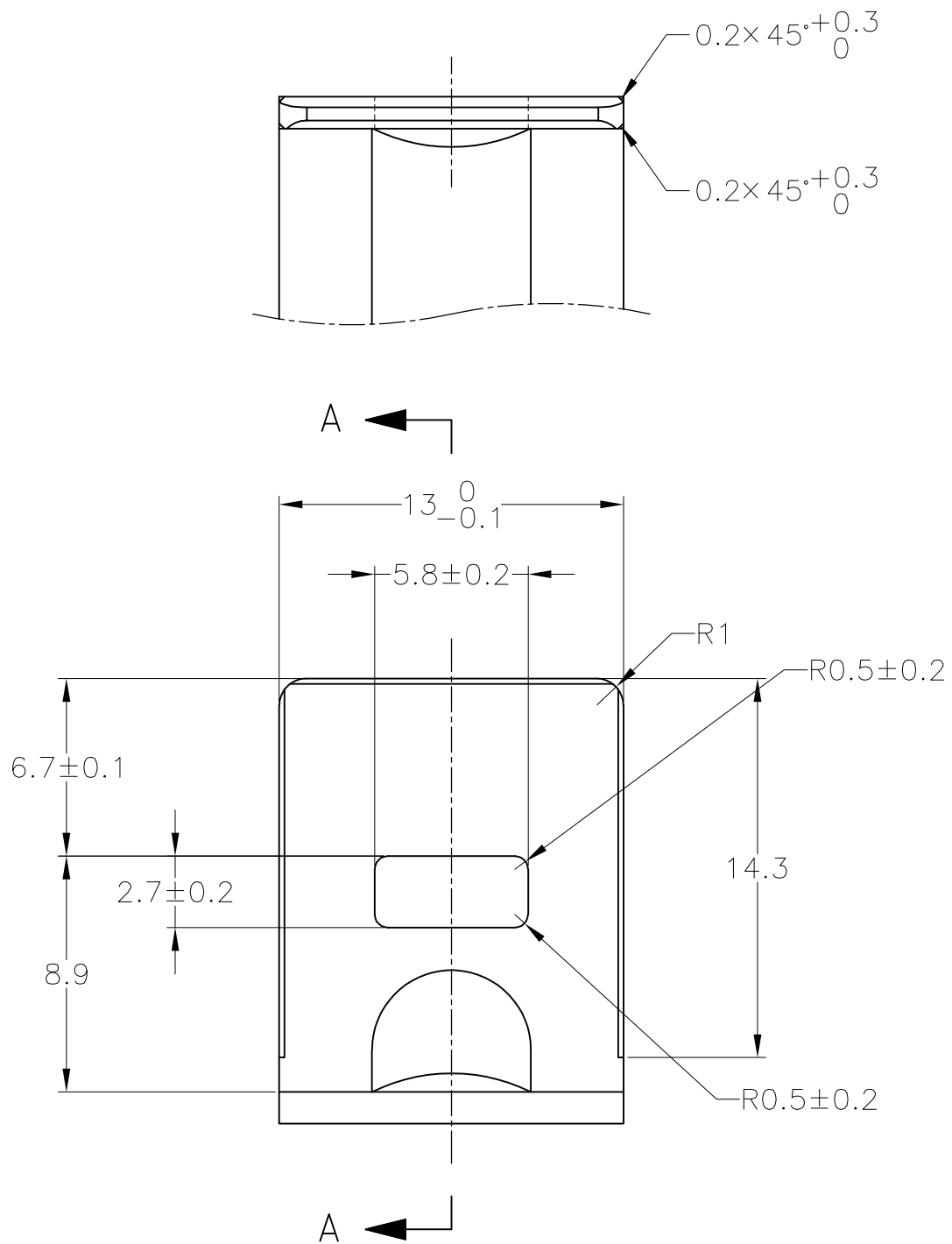
-. -. .

© COPYRIGHT 2014 By Tyco Electronics Japan G.K.

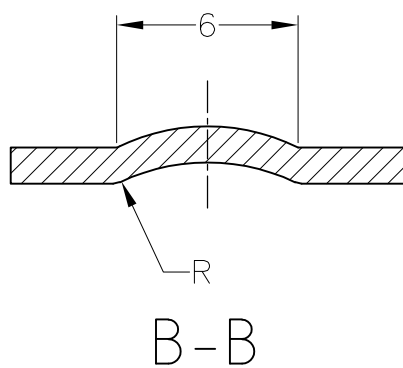
ALL RIGHTS RESERVED.

| LOC | DIST | REVISIONS | | | | | |
|-----|------|-----------|-----|-------------|------|-----|------|
| J | - | P | LTR | DESCRIPTION | DATE | DWN | APVD |
| | | - | | SEE SHEET 1 | - | - | - |

ブラケット推奨寸法図
RECOMMENDED DIMENSION OF BRACKET



t = 1.2 ± 0.08



TOLERANCE UNLESS OTHERWISE SPECIFIED: 一般公差

| | |
|--------------|---------|
| 0 < x ≤ 10 | : ±0.2 |
| 10 < x ≤ 30 | : ±0.25 |
| 30 < x ≤ 100 | : ±0.3 |
| ANGLE ; 角度 | : ±3° |

| | | | | | | | | | | | | | | |
|--|-----|--------------------------------|---|--------------------|----------------------------|-----------------|----------|-------|-----|-------|-----|-------|-----|--------|
| THIS DRAWING IS A CONTROLLED DOCUMENT. | | DWN D.MATSUURA 06AUG2014 | TE Connectivity 12Pos. ECONOSEAL J-MARKII+ CONNECTOR PLUG HOUSING | | | | | | | | | | | |
| DIMENSIONS: 単位: 耗 mm | | CHK S.IWATANI 06AUG2014 | | | | | | | | | | | | |
| TOLERANCES UNLESS OTHERWISE SPECIFIED: 一般公差 | | APVD T.KOHNO 06AUG2014 | | | | | | | | | | | | |
| <table border="1"> <tr><td>0 PLC</td><td>± -</td></tr> <tr><td>1 PLC</td><td>± -</td></tr> <tr><td>2 PLC</td><td>± -</td></tr> <tr><td>3 PLC</td><td>± -</td></tr> <tr><td>4 PLC</td><td>± -</td></tr> <tr><td>ANGLES</td><td>± -</td></tr> </table> | | 0 PLC | | | ± - | 1 PLC | ± - | 2 PLC | ± - | 3 PLC | ± - | 4 PLC | ± - | ANGLES |
| 0 PLC | ± - | | | | | | | | | | | | | |
| 1 PLC | ± - | | | | | | | | | | | | | |
| 2 PLC | ± - | | | | | | | | | | | | | |
| 3 PLC | ± - | | | | | | | | | | | | | |
| 4 PLC | ± - | | | | | | | | | | | | | |
| ANGLES | ± - | | | | | | | | | | | | | |
| MATERIAL 材料 | | PRODUCT SPEC 製品規格 | SIZE A3 | CAGE CODE 00779 | DRAWING NO 番号 C-2822638 | RESTRICTED TO | | | | | | | | |
| FINISH 仕上 | | APPLICATION SPEC 取付適用規格 | CUSTOMER DRAWING | | SCALE 尺度 4:1 | SHEET 2 OF 2 | REV A | | | | | | | |

单击下面可查看定价，库存，交付和生命周期等信息

[>>TE Connectivity\(泰科\)](#)