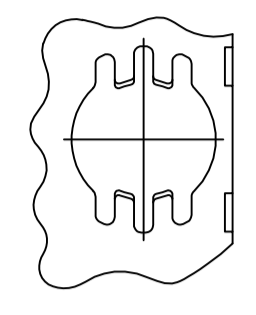
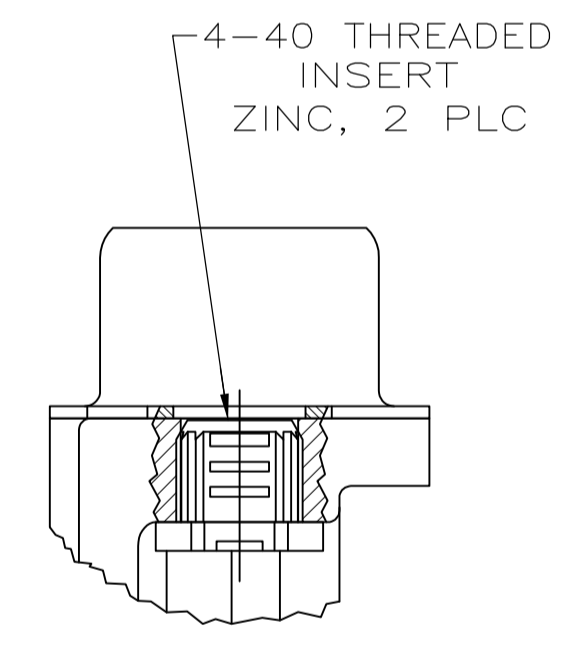
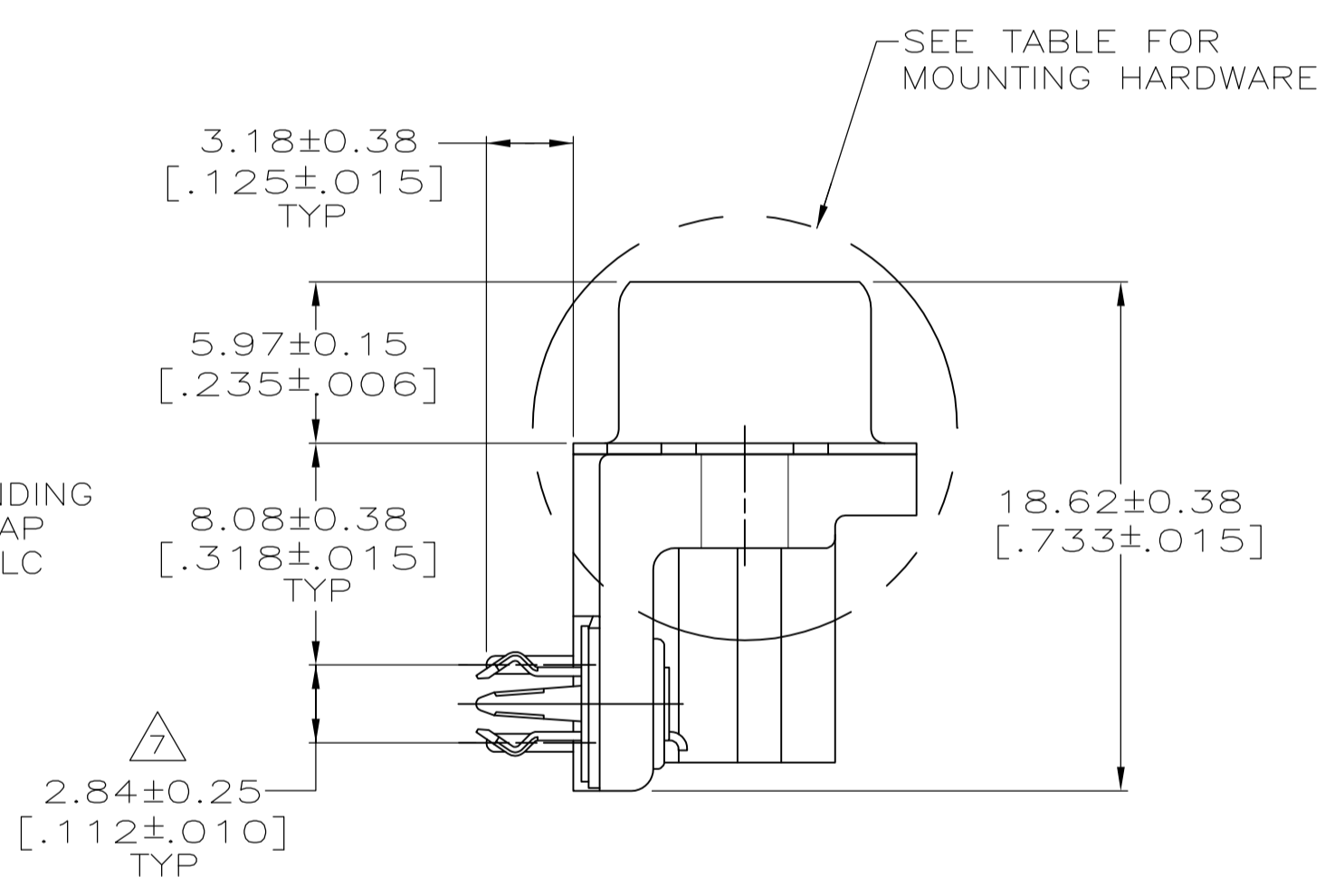
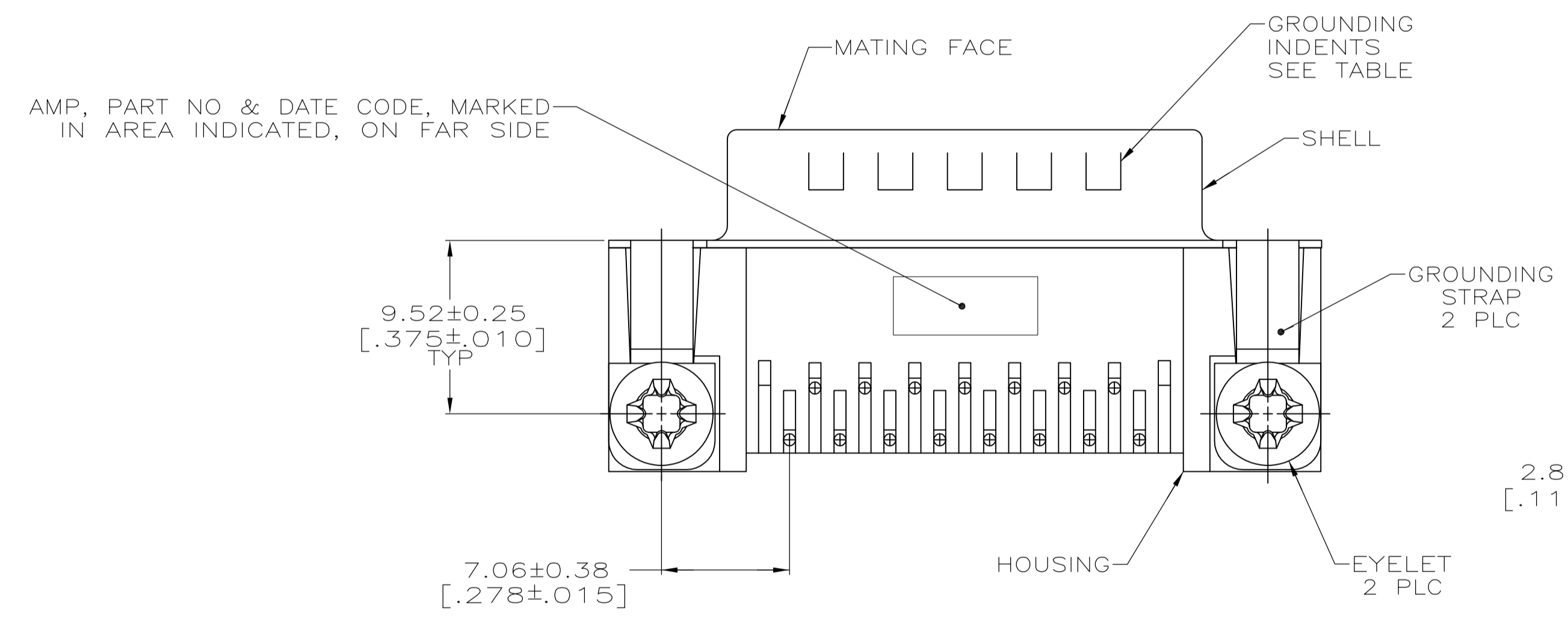
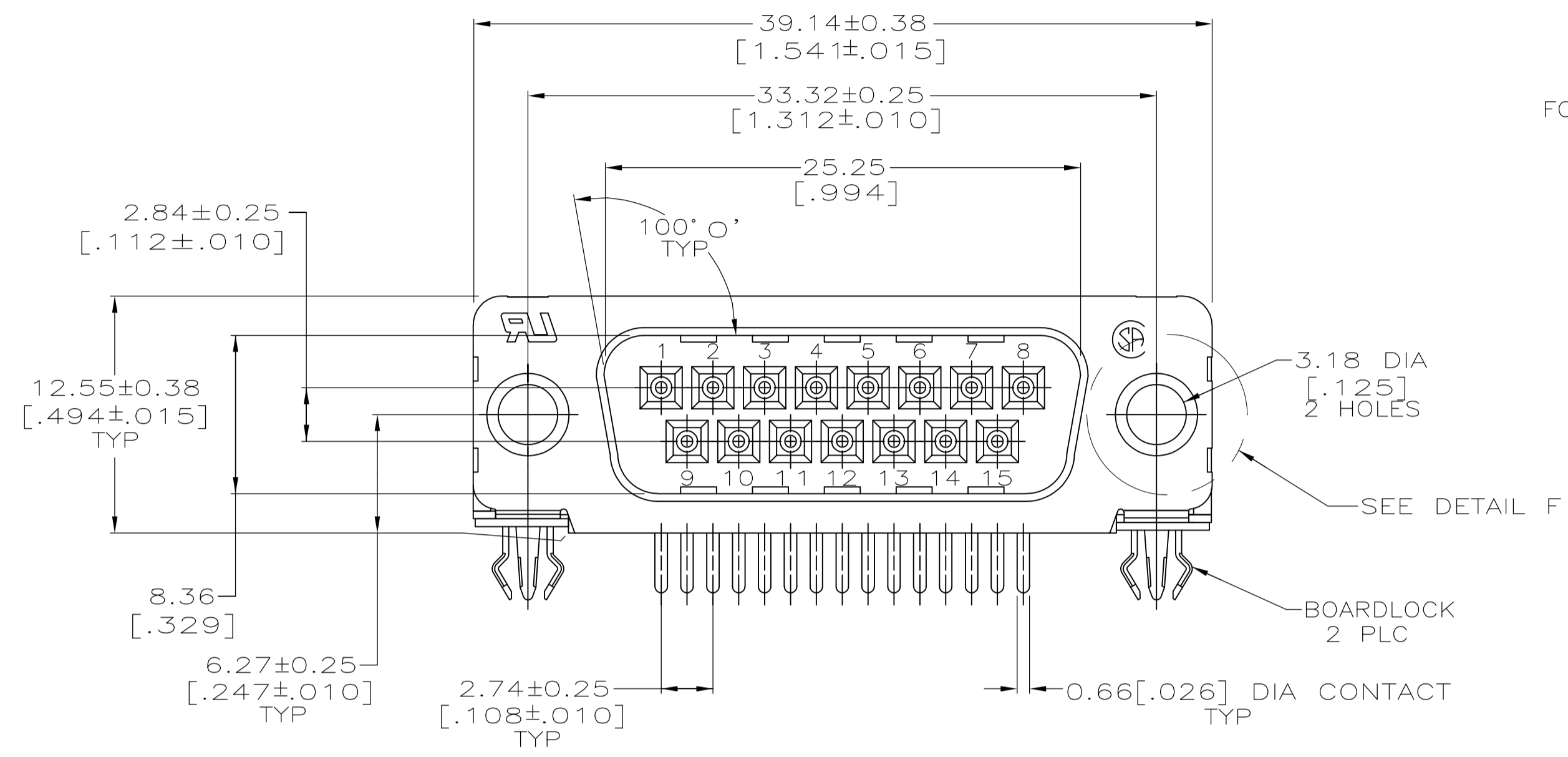


- △ HOUSING: NYLON OR POLYESTER, FLAME RETARDANT 94V-0 RATED, GLASS FILLED, BLACK
- SHELLS: CARBON STEEL
- CONTACTS: BRASS
- BOARDLOCKS: COPPER ALLOY
- EYELETS: BRASS
- △ SHELLS: 2.54μm [.000100] MIN TIN OVER 1.27μm [.000050] MIN COPPER.
- EYELETS: 5.08μm [.000200] MIN TIN OVER COPPER FLASH.
- CONTACTS AND BOARDLOCKS: SEE TABLE.
- INSERTS AND SCREWLOCKS: CLEAR CHROMATE.
- △ GOLD FLASH ON THE MATING SURFACES, 2.54μm [.000100] MIN TIN OR TIN-LEAD PLATE ON THE SOLDER END, 1.27μm [.000050] MIN NICKEL UNDERPLATE ON THE ENTIRE CONTACT.
- △ 0.76μm [.000030] MIN GOLD PLATE ON THE MATING SURFACES, 2.54μm [.000100] MIN TIN OR TIN-LEAD PLATE ON THE SOLDER END, 1.27μm [.000050] MIN NICKEL UNDERPLATE ON THE ENTIRE CONTACT
- OR-
- GOLD FLASH OVER PALLADIUM-NICKEL PLATE, 0.76μm [.000030] MIN TOTAL ON THE MATING SURFACES, 2.54μm [.000100] MIN TIN OR TIN-LEAD PLATE ON THE SOLDER END, 1.27μm [.000050] MIN NICKEL UNDERPLATE ON THE ENTIRE CONTACT.
- △ 5.08μm [.000200] MIN TIN-LEAD OVER 1.27μm [.000050] MIN NICKEL.
- △ 5.08μm [.000200] MIN TIN OVER 1.27μm [.000050] MIN NICKEL.
- △ DIMENSION APPLIES FROM CENTER OF CONTACTS.
- △ SUPERSEDED BY 747841-2.
- △ SUPERSEDED BY 747841-6.
- △ OBSOLETE.

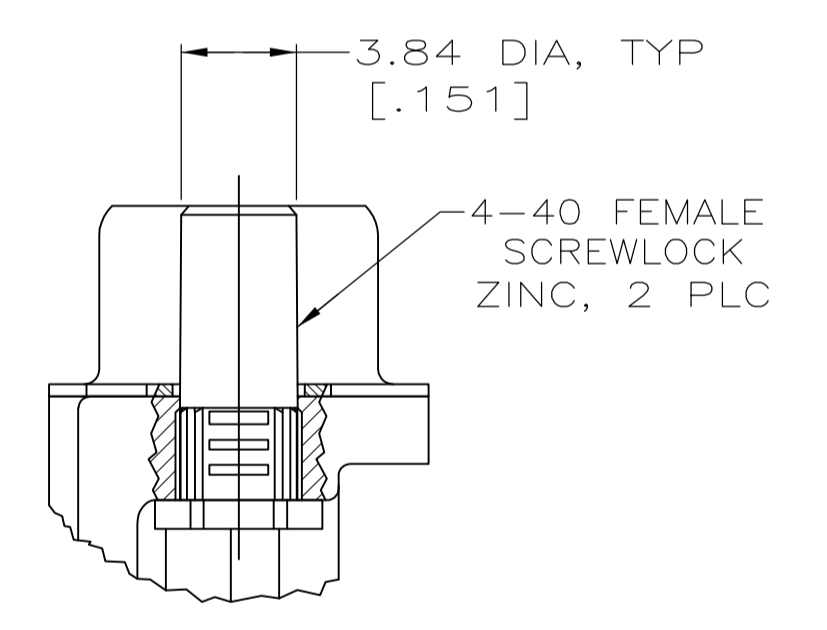


FOR -5 AND -6 ONLY

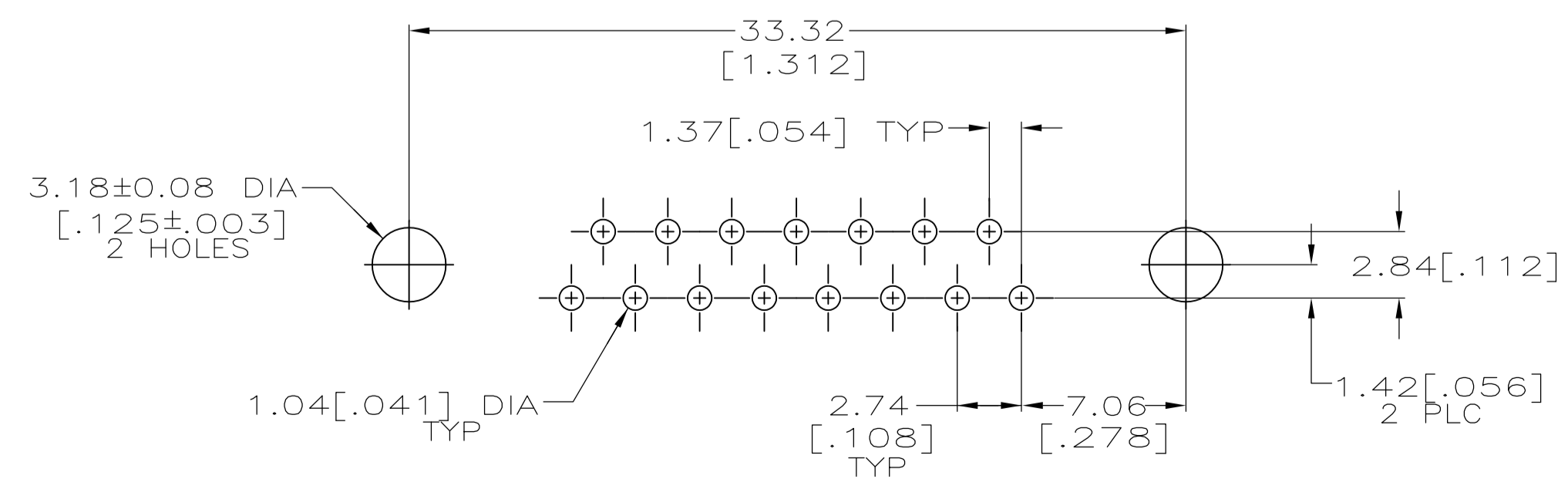
DETAIL F  
2 PLC



DETAIL D



DETAIL E



P.C. BOARD MOUNTING DIMENSIONS  
P.C. BOARD THICKNESS: 1.57[.062]

YES	SEE DETAIL E	△6	△4	6-747841-8
YES	SEE DETAIL D	△6	△4	6-747841-7
NO	-	△5	△4	△10 747841-7
YES	SEE DETAIL E	△5	△4	747841-6
YES	SEE DETAIL E	△5	△3	△9 747841-5
YES	SEE DETAIL D	△5	△4	747841-4
YES	SEE DETAIL D	△5	△3	△10 747841-3
YES	-	△5	△4	△10 747841-2
YES	-	△5	△3	△8 747841-1
GROUNDING INDENTS	MOUNTING HARDWARE	BOARDLOCK FINISH	CONTACT FINISH	PART NUMBER

THIS DRAWING IS A CONTROLLED DOCUMENT. DIMENSIONING AND TOLERANCING PER ASME Y14.5M-2009.

W.G. LENKER 05 OCT 89  
R. STONE 05 FEB 90  
M.D. GALLOWAY 06 FEB 90

STE TE Connectivity

PLUG ASSEMBLY, SIZE 2, 15 POSITION, RIGHT ANGLE, FRONT METAL SHELL, .318 SERIES, BOARDLOCKS, AMPLIMITE® HD-20

108-40025

114-40010

00779C=747841

CUSTOMER DRAWING SCALE 4:1 SHEET 1 OF 1 REV V

单击下面可查看定价，库存，交付和生命周期等信息

[>>TE Connectivity\(泰科\)](#)