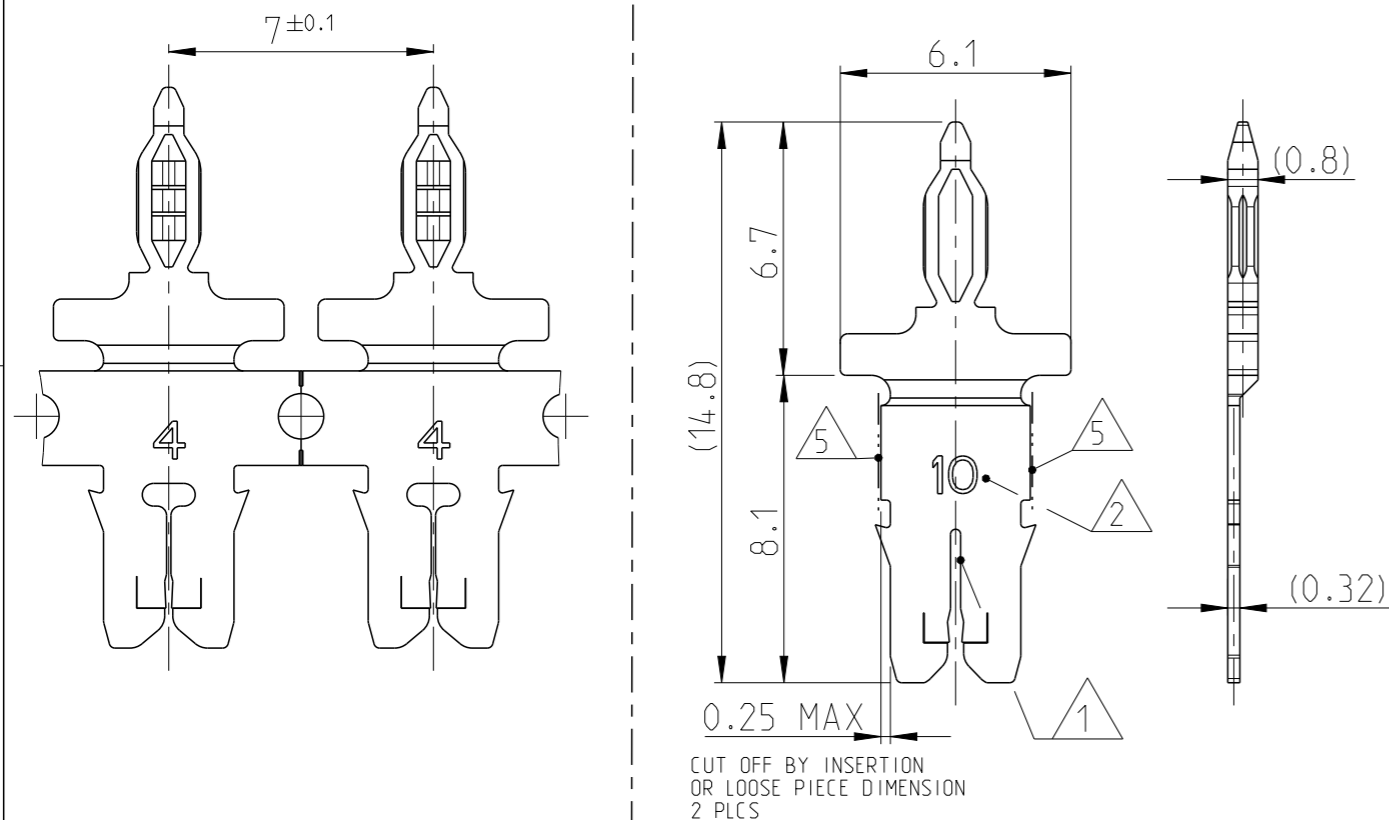


LOC A1

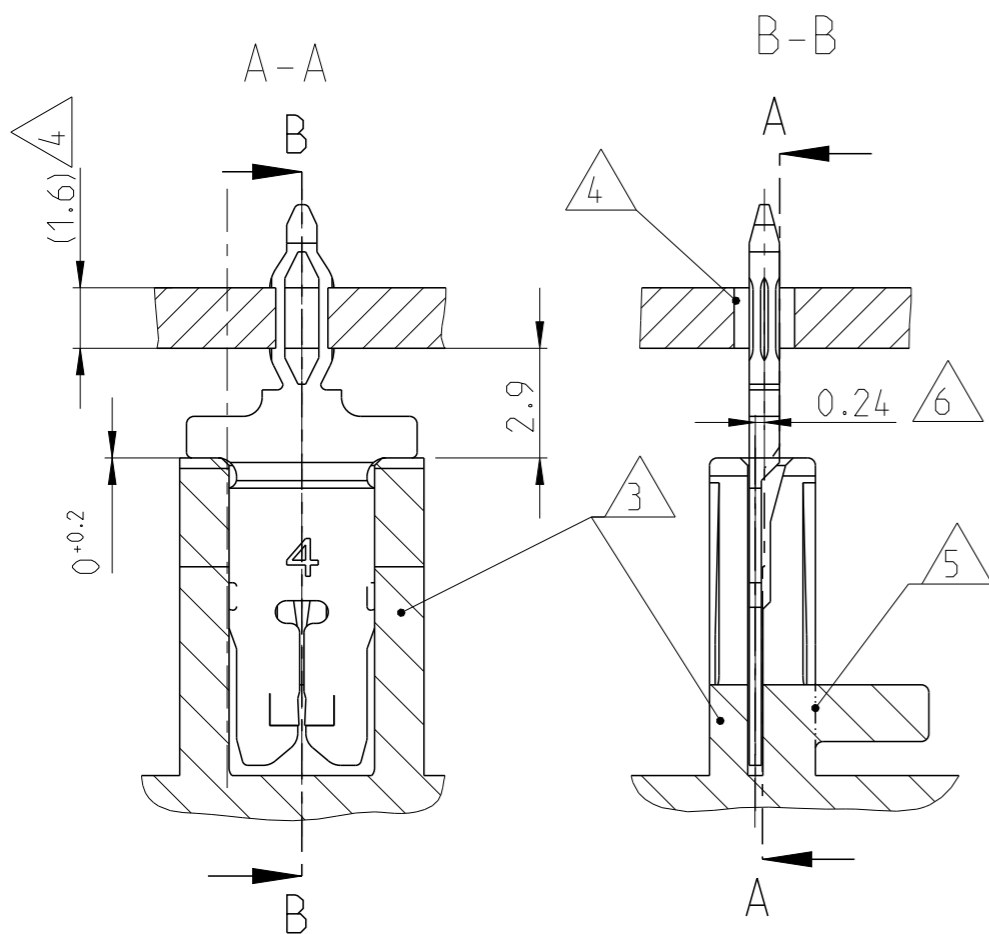
DIST -

REVISIONS

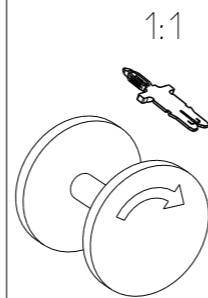
P	LTR	DESCRIPTION	DATE	DWN	APVD
A8		2825667-1 ADDED	15NOV2019	JA	PKS
A9		ACTIVATED PART NUMBER 2825667-1	10MAR2020	PC	KR
A10		REVISED PER ECR-20-010099	20JUL2020	BDA	KR
A11		REVISED PER ECR-20-012333	09SEP2020	BDA	KR



- 1 SLOT ACCEPTS SINGLE OR DOUBLE COPPER MAGNET WIRE SAME DIAMETERS NOT FOR USE WITH ALUMINUM MAGNET WIRE
  - 2 IDENTIFICATION NUMBER FOR MAGNET WIRE RANGE
  - 3 CONTACT CAVITY AND APPLICATION ACC. SPECIFICATION 114-94229
  - 4 PCB LAYOUT, HOLES ACC. SPECIFICATION. 108-90801
  - 5 CUTTING LINE: AREA WILL BE CUTTED OFF BY TERMINATION
  - 6 CAVITY CENTER TO HOLE CENTER
  - 7 DELIVERY STATE: STRIP ON CORRUGATED REEL WITH PAPER INTERLAYER
  - 8 TO BE APPROVED, ON DEMAND BY TE ENGINEERING
  - 9 MAX. 2 SPLICES PER REEL; SPLICES BE NOT BONDED TOGETHER
  - 10 PRELIMINARY- NOT RELEASED FOR PRODUCTION.
- SEE TABLE



DIRECTION TOP OF REEL	2825667-1	24	-	19.5 - 17.5; 17	-	Ø 0.85mm to Ø 1.12mm	2120747-2
		12	-	22.5 - 20; 19.5	-	Ø 0.63mm to Ø 0.85mm	2120746-2
	<del>2825388-1</del>	10	26 - 23	26 - 22.5		Ø 0.4mm to Ø 0.56mm	2120745-2
		6	29.5 - 26.5; 26	29.5 - 26.5; 26		Ø 0.265mm to Ø 0.4mm	2120744-2
		4	33 - 30; 29.5	33 - 30; 29.5		Ø 0.18mm to Ø 0.265mm	2120743-3 2120743-2
	LOOSE PEICE PART NUMBER	IDENTIFICATION NO	DOUBLE WIRE	SINGLE WIRE	DOUBLE WIRE	SINGLE WIRE	PART NO
			1 AWG BARE WIRE RANGE		1 BARE WIRE RANGE		



11 NOTE DELETED  
 12 PART NUMBER IS OBSOLETE

THIS DRAWING IS A CONTROLLED DOCUMENT.

DIMENSIONS:	TOLERANCES UNLESS OTHERWISE SPECIFIED:
mm	
	0 PLC ±0.2
	1 PLC ±0.2
	2 PLC ±0.2
	3 PLC ±0.2
	4 PLC ±0.2
	ANGLES ±1°
MATERIAL CuNiSi	FINISH TINNED

DWN H.Ballmert	28NOV2012
CHK B.Schnaubelt	30NOV2012
APVD T.Klenner	30NOV2012
PRODUCT SPEC	108-94366
APPLICATION SPEC	3
WEIGHT	-

TE Connectivity		NAME	
		MAG-MATE Slim Line Contact with Multispring	
SIZE	CAGE CODE	DRAWING NO	RESTRICTED TO
A3	00779	C=2120743	-

单击下面可查看定价，库存，交付和生命周期等信息

[>>TE Connectivity\(泰科\)](#)