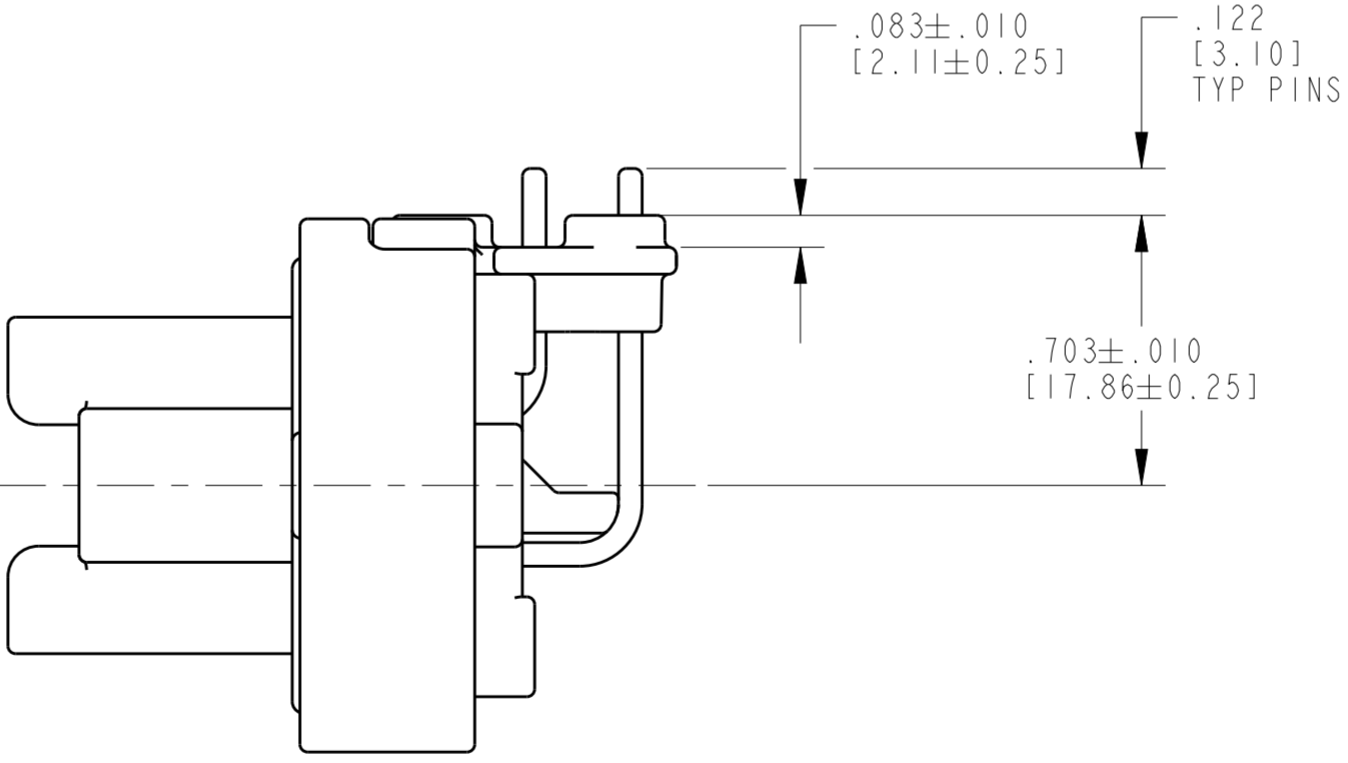
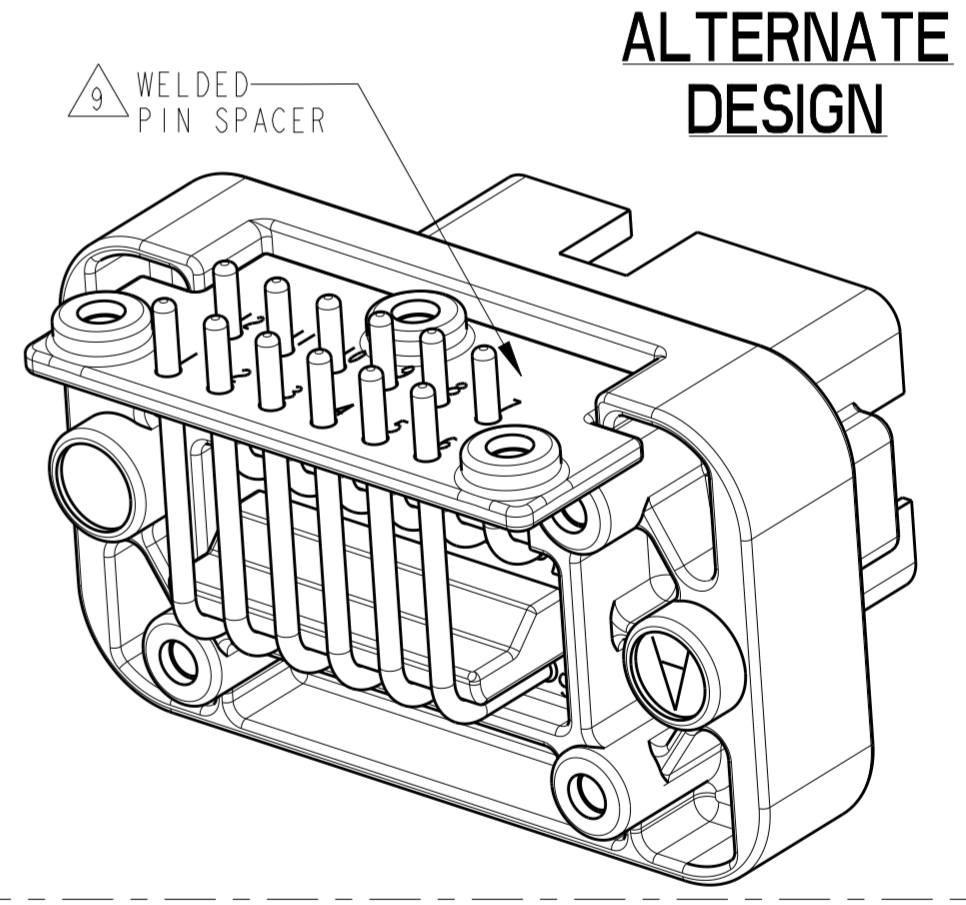
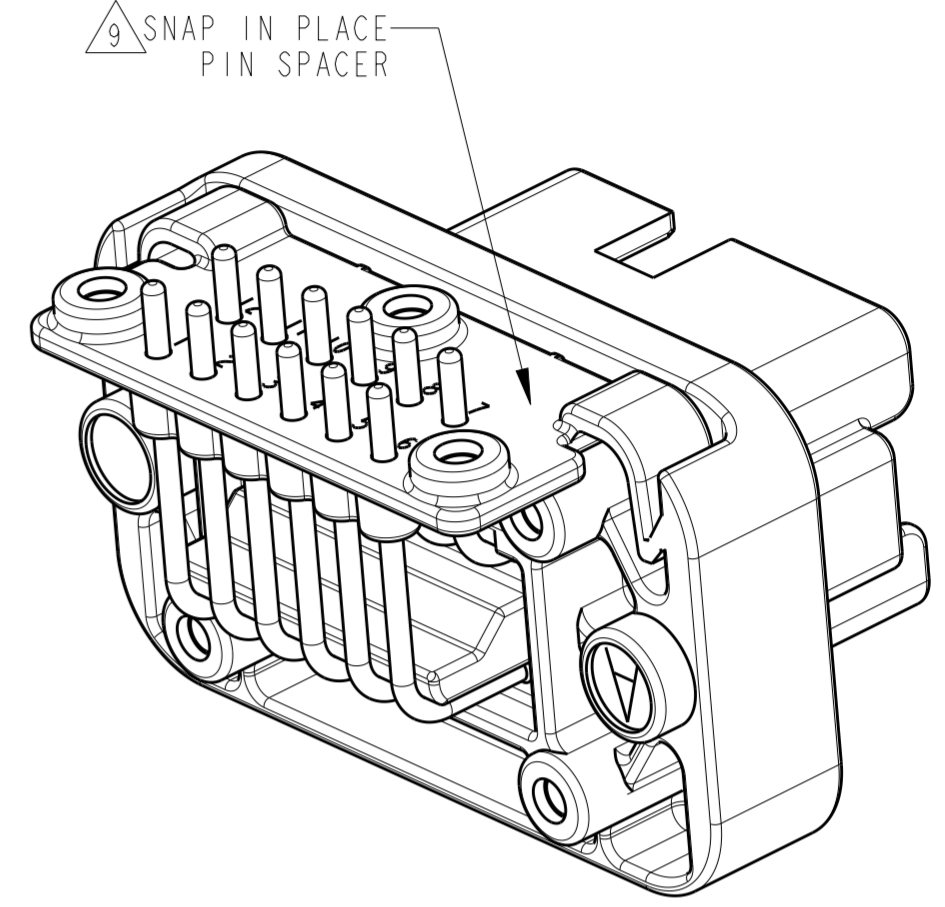
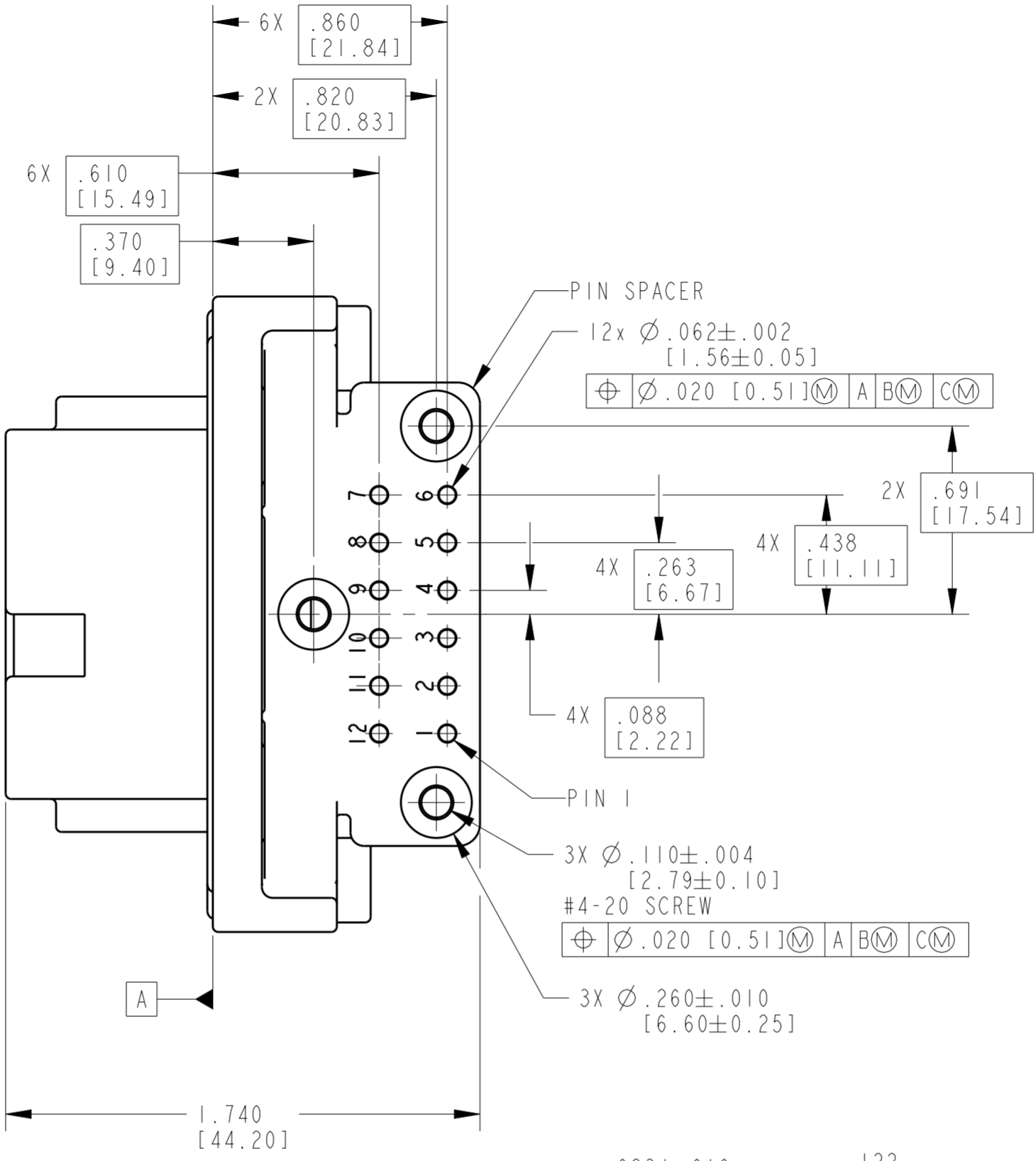
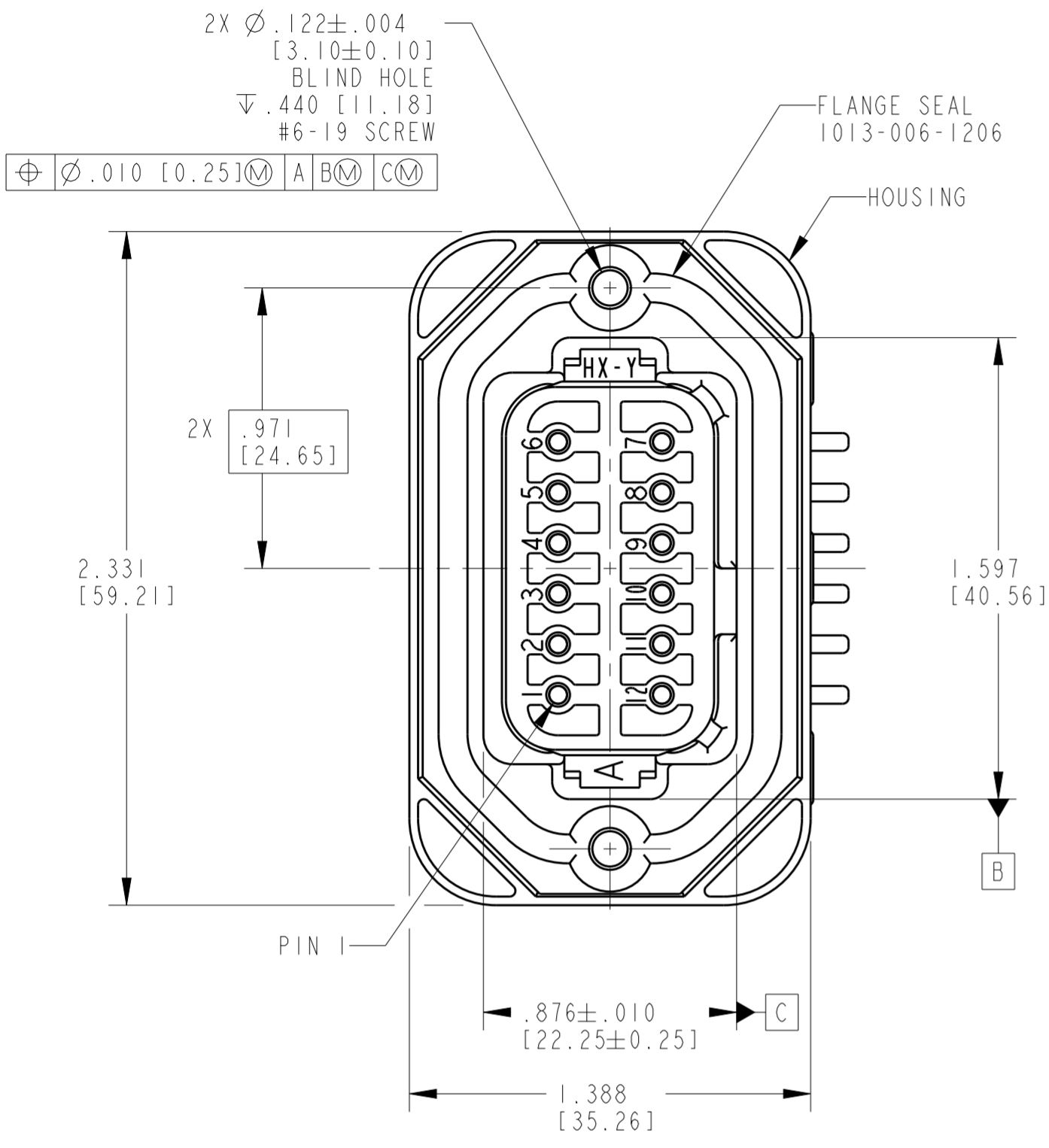


THIS DRAWING IS UNPUBLISHED. RELEASED FOR PUBLICATION 2017
 © COPYRIGHT 2017 BY - ALL RIGHTS RESERVED.

REVISIONS				
P	LTR	DESCRIPTION	DATE	APVD
A		REVISED PER E.O. P19196	13JUN2006	RDR
B		REVISED PER E.O. P21065	26AUG2011	RDR
C		REVISED PER PCN :E-17-013520	24JUL2017	DD DM
CI		REVISED PER PCN :E-20-011899	20AUG2020	DB IG



- 9 ALTERNATE PIN SPACER DESIGN RELATED TO MOLDING TOOL.
- 8 MOUNTING SURFACE SPECIFICATIONS:
 SURFACE FINISH: 32 μin [0.81 μm] Ra OR LESS
 FLATNESS: .005 in/in [0.13 mm/mm] MAX
- 7. SEE SHEET 2 FOR RECOMMENDED PANEL CUTOUTS.
- 6. SEE SHEET 3 FOR OTHER KEY ARRANGEMENTS.
- 5. MOUNTING SCREW TORQUE VALUES ARE AS FOLLOWS:
 #6-19 SCREWS: 11-13 IN-LB [1.24-1.46 N-m].
 #4-20 SCREWS: 4-9 IN-LB [.45-1.01 N-m].
 VALUES VALID FOR PLASTITE 48 SCREWS ONLY.
- 4. RECOMMENDED MOUNTING SCREWS (NOT INCLUDED): CAMCAR PLASTITE 48, SINGLE HELIX.
- 3. THIS RECEPTACLE MATES WITH DT06-12SX PLUG (X = A,B,C,D KEYS, XXXX = ALL MODIFICATIONS).
- 2. CONTACT PLATING - MATING SIDE: NICKEL; PCB SIDE: TIN
- 1 MATERIALS:
 HOUSING & PIN ALIGNMENT PLATE: PA46 GF30 (SEE SHEET 3 FOR COLORS)
 FLANGE SEAL: VMQ (RED-ORANGE)
 PIN CONTACTS: COPPER ALLOY

TE INTERNAL PN	DEUTSCH PN
DT13-12PA-B016	DT13-12PA-B016
DT13-12PB-B016	DT13-12PB-B016
DT13-12PC-B016	DT13-12PC-B016
DT13-12PD-B016	DT13-12PD-B016

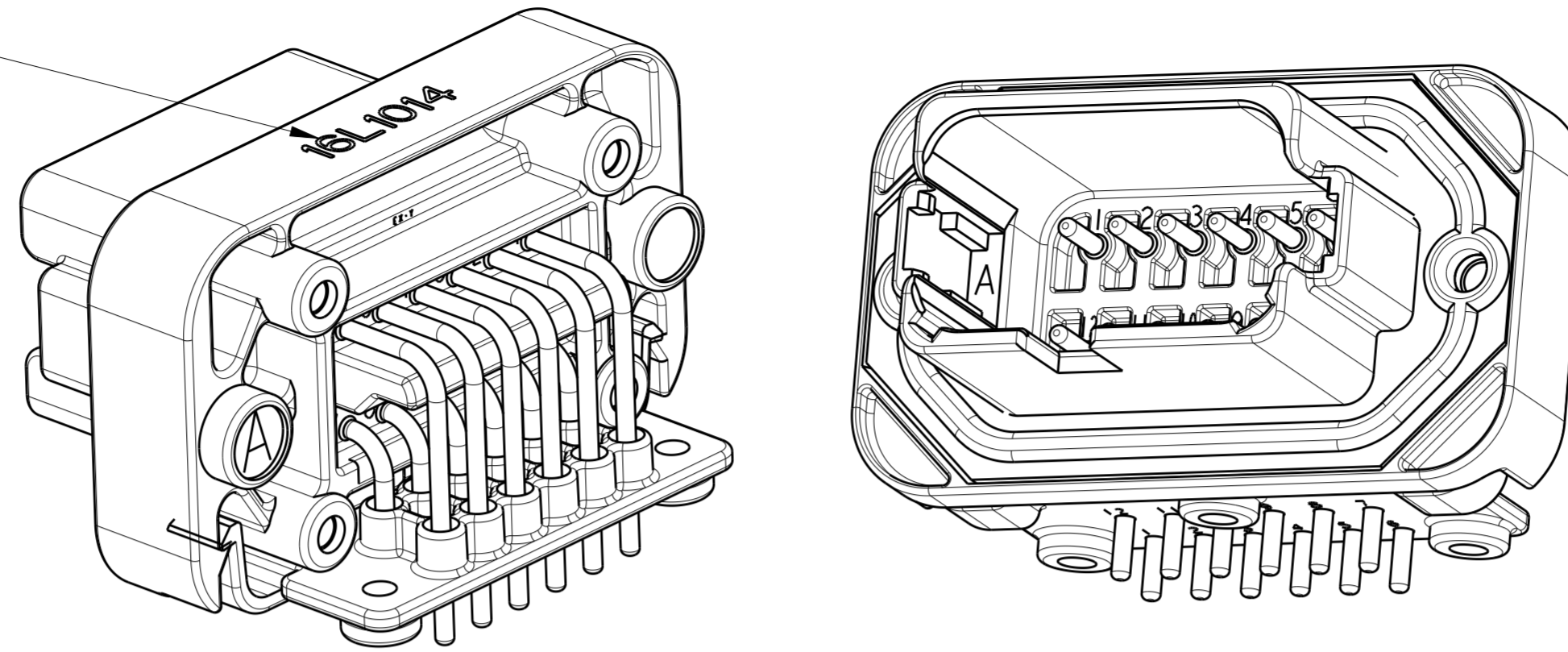
THIS DRAWING IS A CONTROLLED DOCUMENT.

DIMENSIONS: in [mm]	TOLERANCES UNLESS OTHERWISE SPECIFIED: 0 PLC ± 1 PLC ± 2 PLC ± 3 PLC ±.025 [0.64] 4 PLC ± ANGLES ± FINISH -	DWN P. BURKE 03APL2002 CHK B. BYFORD 26AUG2011 APVD S. BEARD 25AUG2011	NAME RECEPTACLE HEADER 12 PIN 90 DEG DT SERIES
MATERIAL		PRODUCT SPEC 108-151009 APPLICATION SPEC -	SIZE CAGE CODE DRAWING NO RESTRICTED TO
		WEIGHT 61.47[g]	A2 4AFU8 C-DT13-12PX-B016
		CUSTOMER DRAWING	SCALE 2:1 SHEET 1 OF 3 REV C1

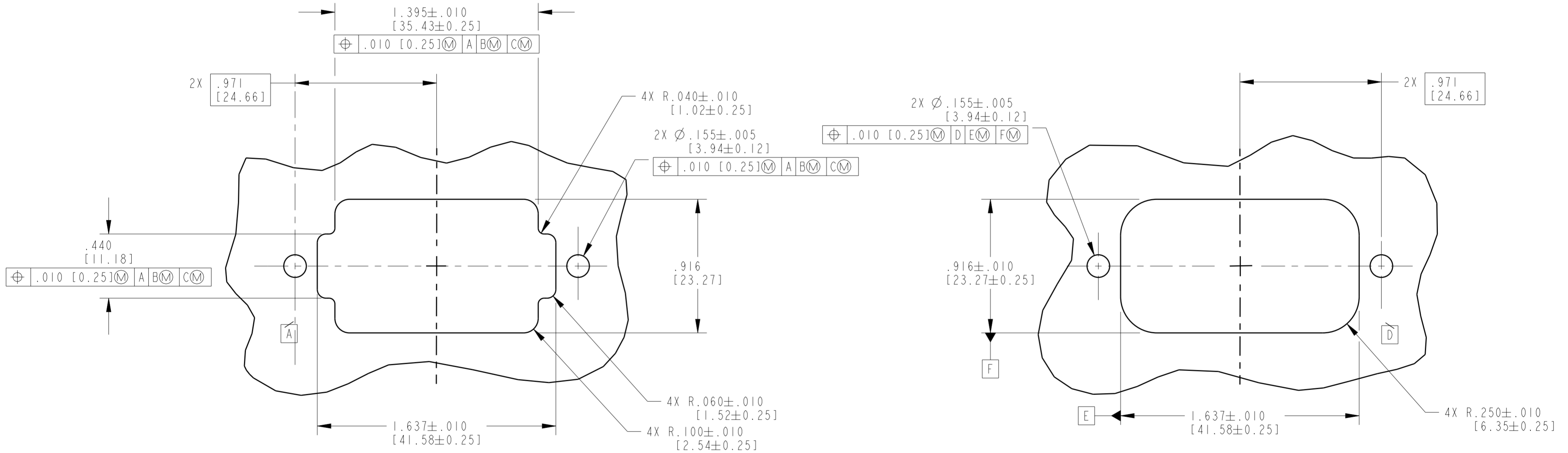
THIS DRAWING IS UNPUBLISHED. RELEASED FOR PUBLICATION 2017
 © COPYRIGHT 2017 BY - ALL RIGHTS RESERVED.

REVISIONS				
P	LTR	DESCRIPTION	DATE	APVD
-		SEE SHEET 1	-	-

7 DIGIT DATECODE
 YEAR: FIRST AND SECOND DIGITS. (16 = 2016)
 MONTH: THRID DIGIT, EXCLUDING 1. A = JAN.,
 B = FEB., C = MARCH... (L = NOVEMBER)
 DAY: FOURTH AND FIFTH DIGITS (10 = 10th DAY)
 HOUR: SIXTH AND SEVENTH DIGITS (14 = 2-3PM)



3D VIEW



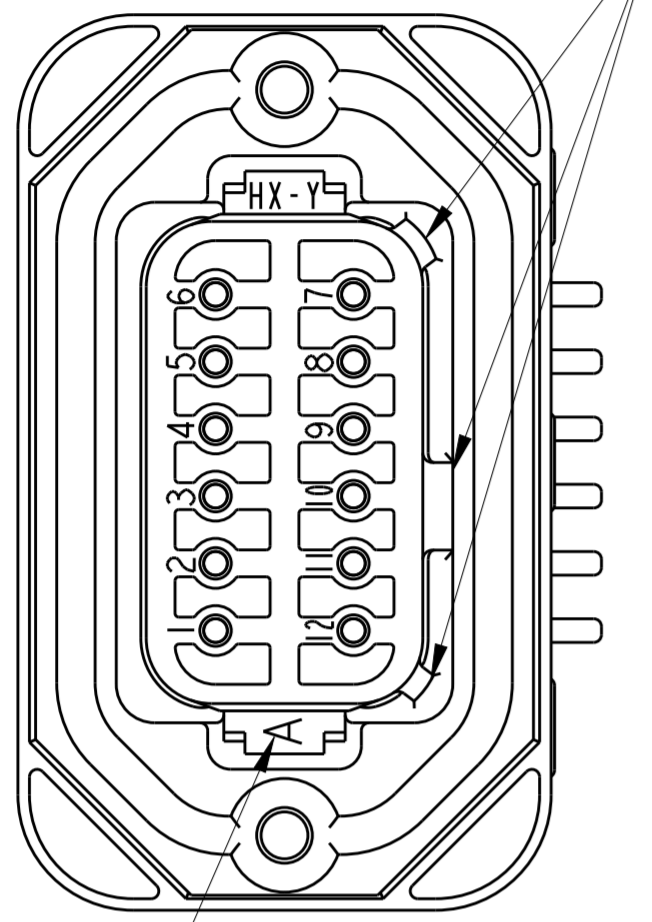
8 RECOMMENDED PANEL CUTOUTS

THIS DRAWING IS A CONTROLLED DOCUMENT.		DWN P. BURKE 03APL2002	TE Connectivity	
DIMENSIONS: in [mm]		CHK B. BYFORD 26AUG2011		
TOLERANCES UNLESS OTHERWISE SPECIFIED:		APVD S. BEARD 25AUG2011	NAME RECEPTACLE HEADER 12 PIN 90 DEG DT SERIES	
0 PLC ± 1 PLC ± 2 PLC ± 3 PLC ±.025 [0.64] 4 PLC ±		PRODUCT SPEC 108-151009	SIZE A2	
MATERIAL 1		APPLICATION SPEC -	CAGE CODE 4AFU8	DRAWING NO. DT13-12PX-B016
		WEIGHT 61.47[g]	RESTRICTED TO -	
		CUSTOMER DRAWING	SCALE 2:1	SHEET 2 OF 3
			REV C1	

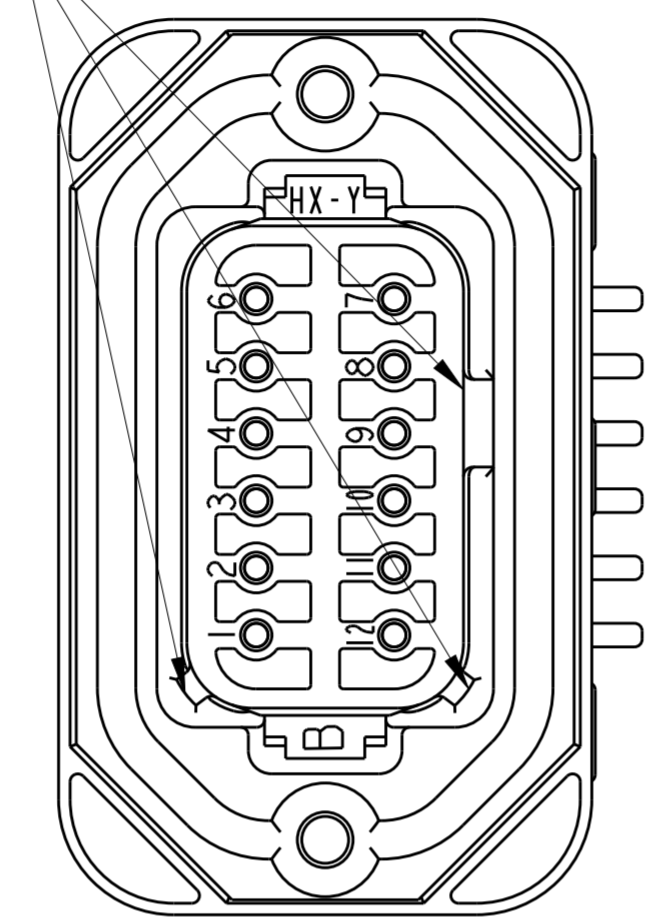
THIS DRAWING IS UNPUBLISHED. RELEASED FOR PUBLICATION 2017
 © COPYRIGHT 2017 BY - ALL RIGHTS RESERVED.

REVISIONS				
P	LTR	DESCRIPTION	DATE	APVD
-	-	SEE SHEET 1	-	-

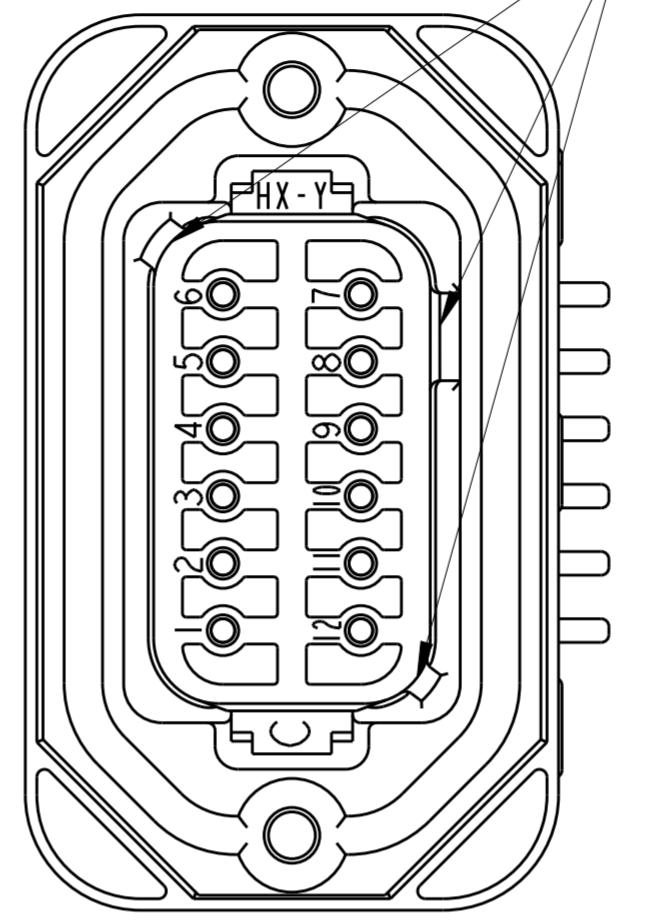
A KEYWAY



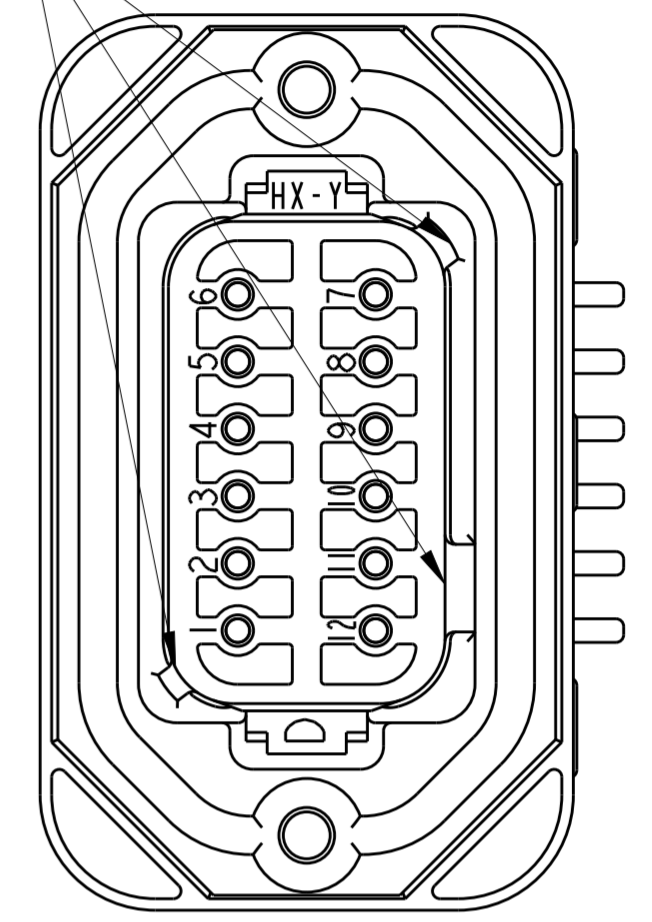
B KEYWAY



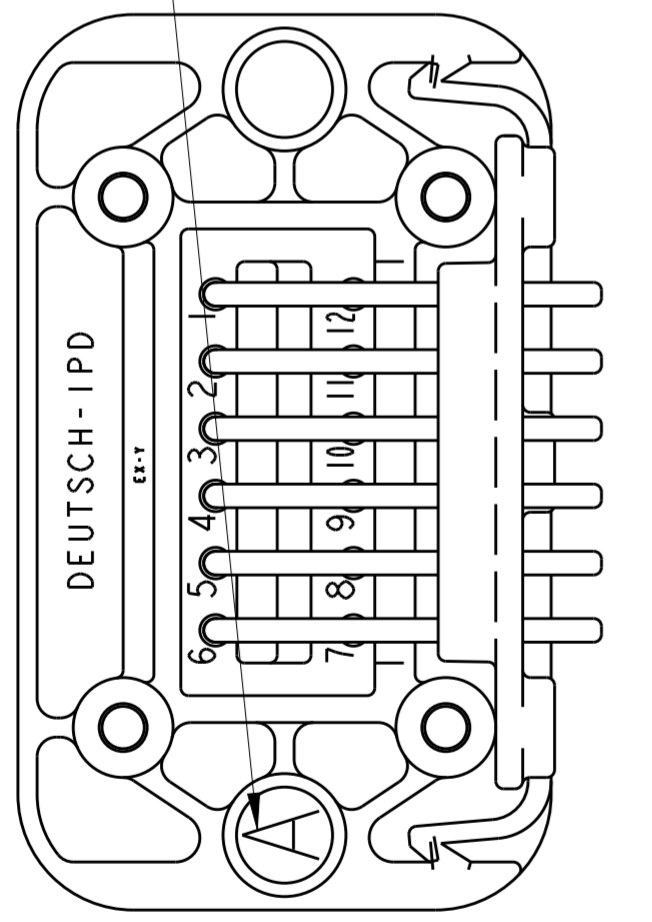
C KEYWAY



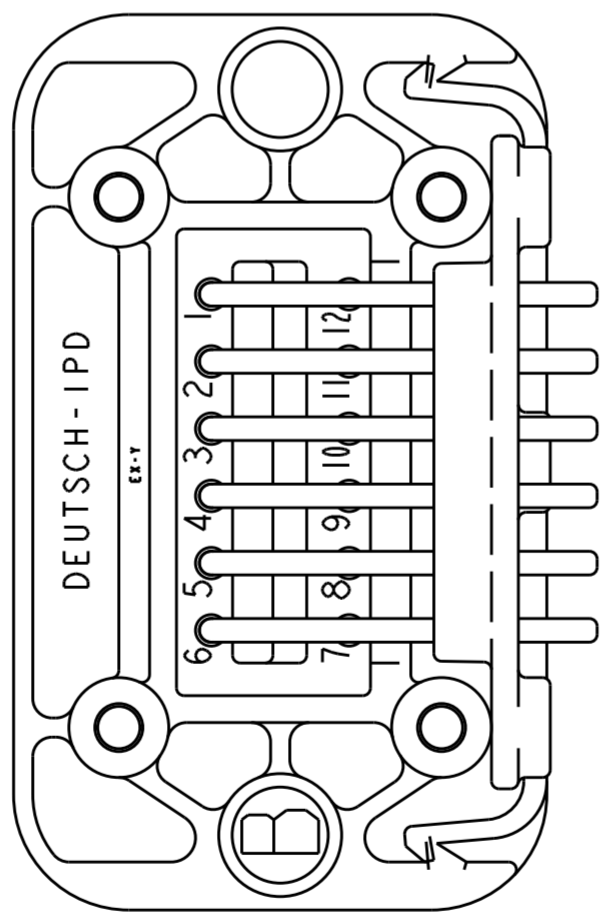
D KEYWAY



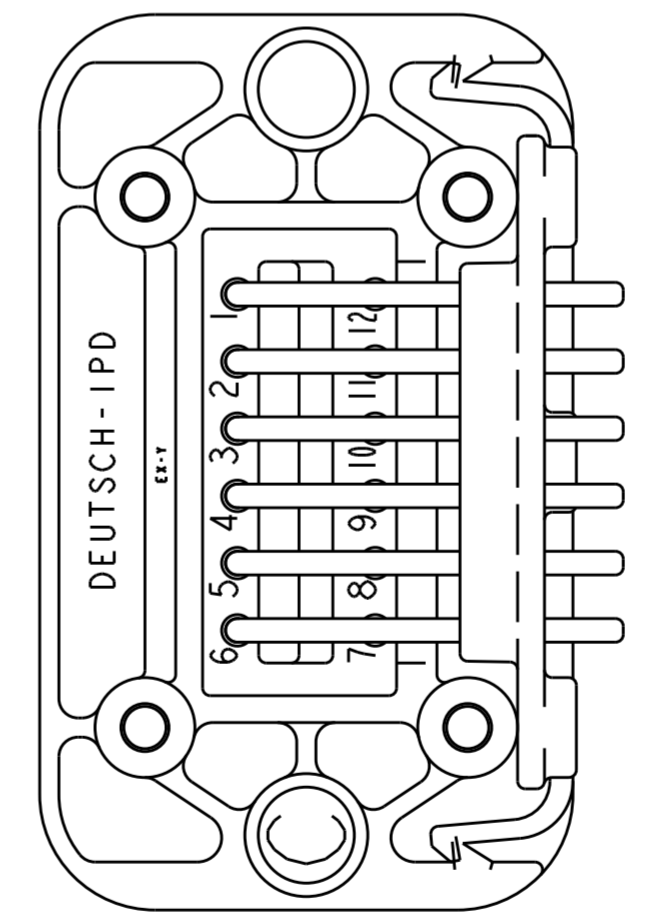
KEYING ARRANGEMENT INDICATOR, TYP



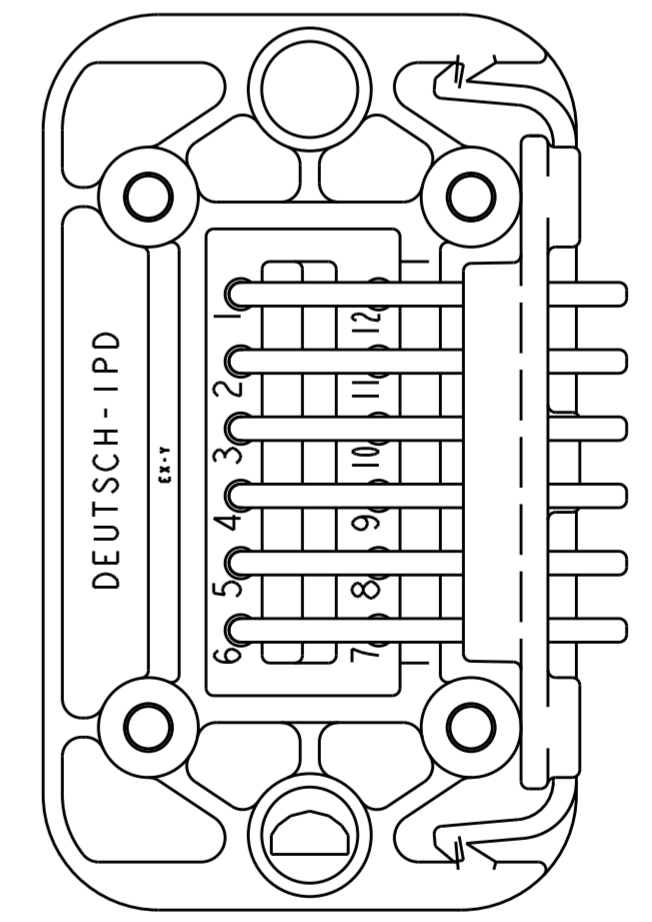
DT13-12PA-B016
COLOR GREY




DT13-12PB-B016
COLOR BLACK



DT13-12PC-B016
COLOR GREEN



DT13-12PD-B016
COLOR BROWN

THIS DRAWING IS A CONTROLLED DOCUMENT.		DWN P. BURKE 03APL2002	 TE Connectivity	
DIMENSIONS: in [mm]		CHK B. BYFORD 26AUG2011		
TOLERANCES UNLESS OTHERWISE SPECIFIED:		APVD S. BEARD 25AUG2011	NAME RECEPTACLE HEADER 12 PIN 90 DEG DT SERIES	
0 PLC ± 1 PLC ± 2 PLC ± 3 PLC ±.025 [0.64] 4 PLC ± ANGLES ± FINISH		PRODUCT SPEC 108-151009	SIZE A2	
MATERIAL		APPLICATION SPEC	CAGE CODE 4AFU8	DRAWING NO DT13-12PX-B016
		WEIGHT 61.47[g]	RESTRICTED TO	
CUSTOMER DRAWING		SCALE 2:1	SHEET 3 OF 3	REV C1

单击下面可查看定价，库存，交付和生命周期等信息

[>>TE Connectivity\(泰科\)](#)