

THIS DRAWING IS UNPUBLISHED.

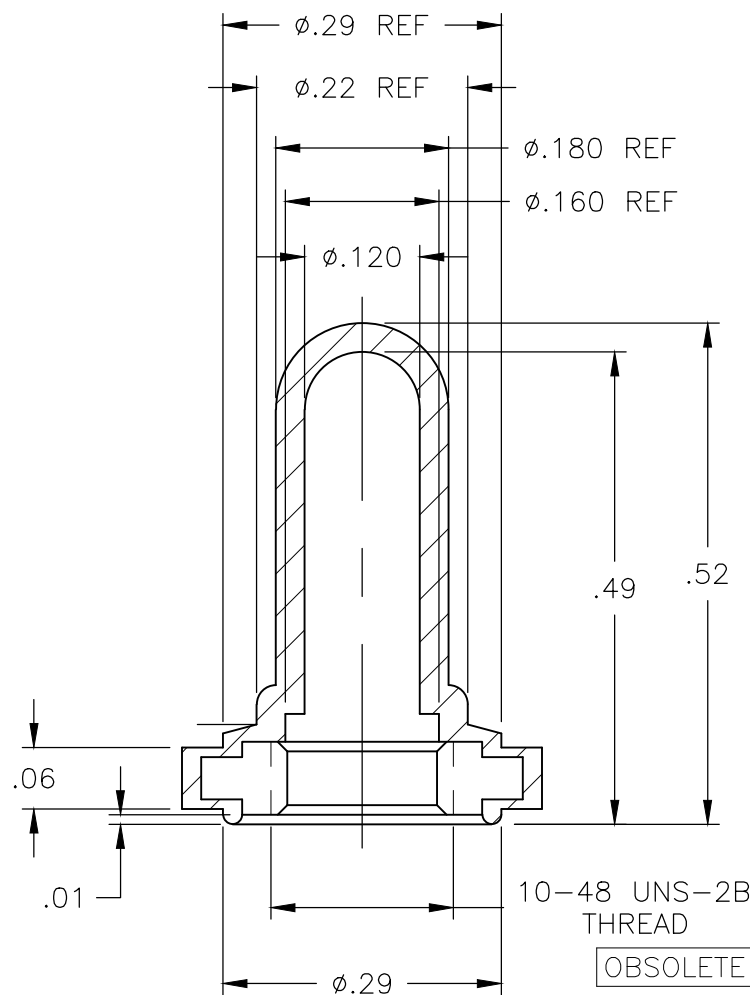
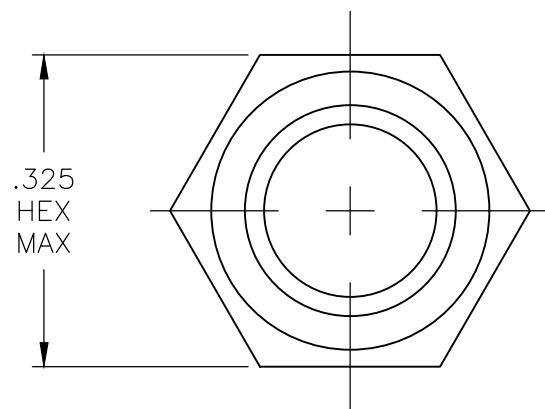
RELEASED FOR PUBLICATION

© COPYRIGHT - TE Connectivity Ltd.

ALL RIGHTS RESERVED.

REVISIONS

P	LTR	DESCRIPTION	DATE	DWN	APVD
	B1	ECR-16-017266	01JUN2018	SR	PO



1. SOME DIMENSIONS MAY VARY DUE TO DIFFERENT COMPOUND SHRINKAGE FACTOR.
2. MINOR FLASH ACCEPTABLE ON INSERT THREAD.
3. BLACK FINISH/NICKEL PLATING INSIDE THREADS REMOVED DUE TO MOLDING PROCESS PERMITTED.
4. RUBBER TO METAL BOND MUST MEET OR EXCEED THE TEAR STRENGTH OF RUBBER.
5. COMPONENTS MUST COMPLY WITH THE EUROPEAN DIRECTIVE 2002/95/EC ON RESTRICTION OF THE USE OF CERTAIN HAZARDOUS SUBSTANCES IN ELECTRICAL AND ELECTRONIC EQUIPMENT (ROHS DIRECTIVE).

ALCO NUMBER	HEX NUT MATERIAL	RUBBER BOOT MATERIAL	PART NUMBER
OBSOLETE B1048804	BRASS, NICKEL PLATE PER QQ-N-290	SILICONE, COLOR GRAY	1825609-3
B1048204	BRASS, NICKEL PLATE PER QQ-N-290	SILICONE, COLOR RED	1825609-2
B1048004	BRASS, BLACK OXIDE PER MIL-F-495	SILICONE, COLOR BLACK	1825609-1

THIS DRAWING IS A CONTROLLED DOCUMENT.		DWN S SCHLEGEL 19FEB2008	STE TE Connectivity Ltd.													
DIMENSIONS: INCHES		CHK M WILBOURN 2/19/08														
TOLERANCES UNLESS OTHERWISE SPECIFIED:		APVD M WILBOURN 2/19/08	NAME 10-48 TOGGLE SWITCH BOOT SEAL													
<table border="1"> <tr><td>0 PLC</td><td>± -</td></tr> <tr><td>1 PLC</td><td>± -</td></tr> <tr><td>2 PLC</td><td>± .01</td></tr> <tr><td>3 PLC</td><td>± .005</td></tr> <tr><td>4 PLC</td><td>± -</td></tr> <tr><td>ANGLES</td><td>± 5°</td></tr> </table>		0 PLC	± -	1 PLC	± -	2 PLC	± .01	3 PLC	± .005	4 PLC	± -	ANGLES	± 5°	PRODUCT SPEC -	SIZE A3	
0 PLC	± -															
1 PLC	± -															
2 PLC	± .01															
3 PLC	± .005															
4 PLC	± -															
ANGLES	± 5°															
MATERIAL -		APPLICATION SPEC -	CAGE CODE 00779	DRAWING NO C-1825609												
FINISH -		WEIGHT	RESTRICTED TO -													
CUSTOMER DRAWING			SCALE 5:1	SHEET 1 OF 1												
			REV B1													

单击下面可查看定价，库存，交付和生命周期等信息

[>>TE Connectivity\(泰科\)](#)