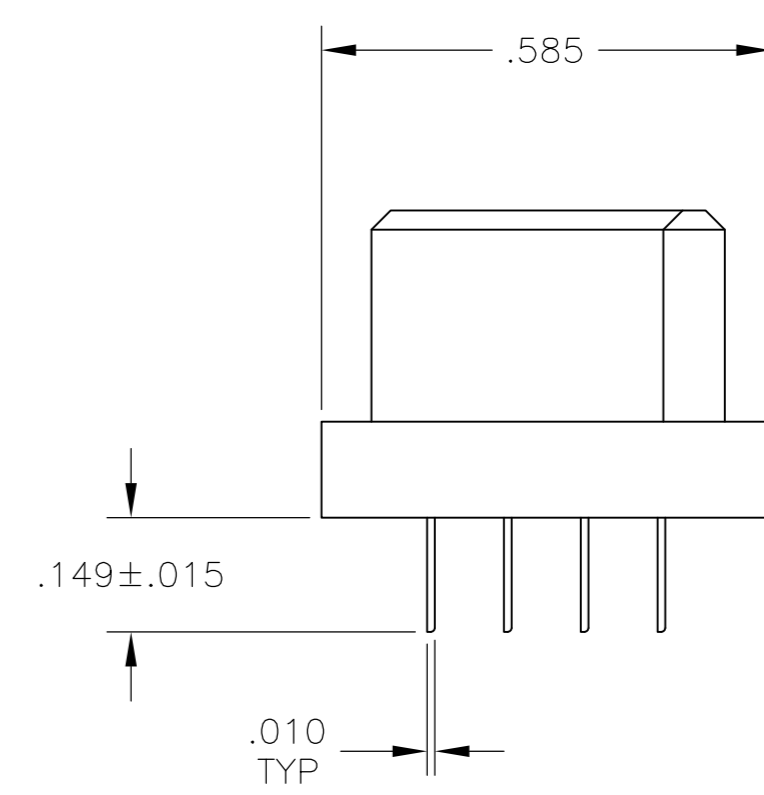
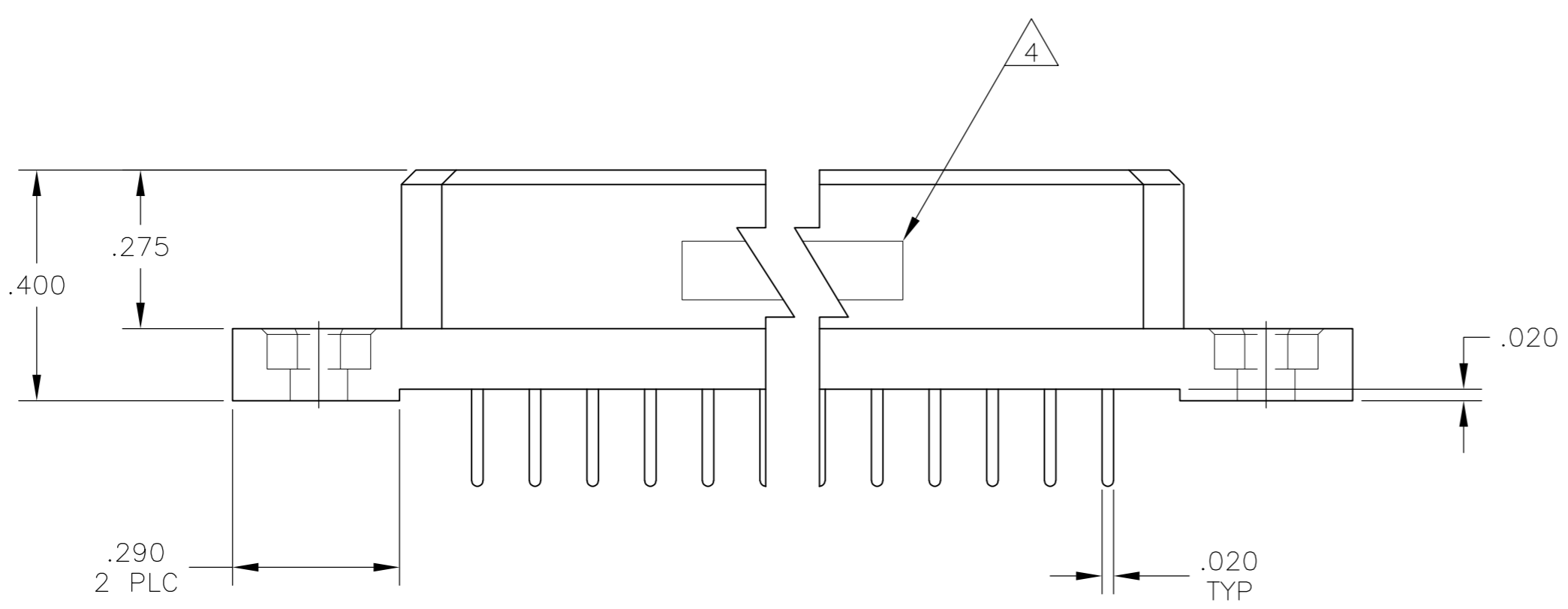
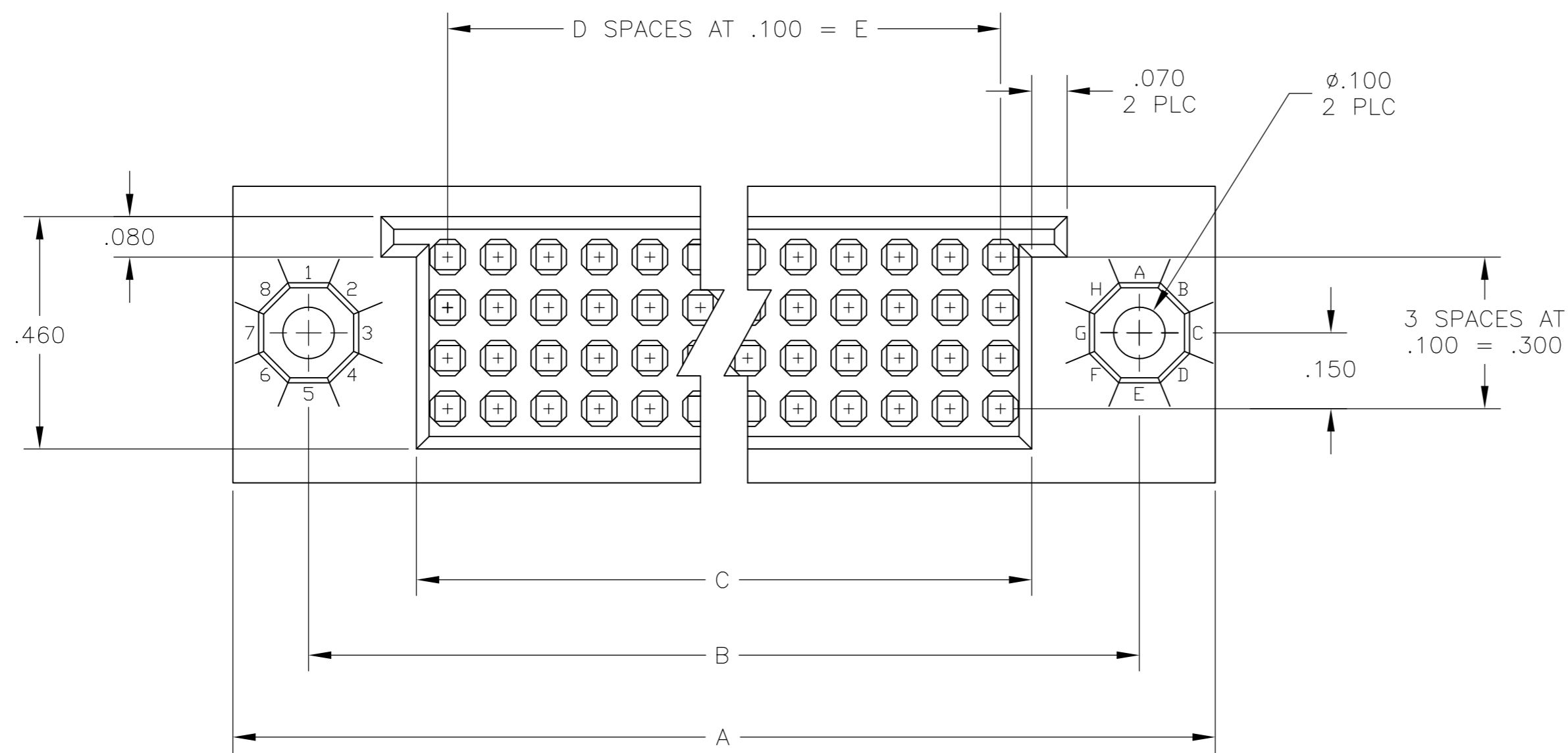


THIS DRAWING IS UNPUBLISHED. RELEASED FOR PUBLICATION - N/A -
 © COPYRIGHT N/A By - ALL RIGHTS RESERVED.

LOC		DIST		REVISIONS			
P	LTR	DESCRIPTION	DATE	DWN	APVD		
	S2	REVISED PER ECO-12-009804	22JUN12	PY	DM		



THIS DRAWING IS A CONTROLLED DOCUMENT.		DWN R. SEIFRIED 29-OCT-84			RESTRICTED TO																		
DIMENSIONS: INCHES		CHK L. CASTAGNA 29-OCT-84			NAME		-																
TOLERANCES UNLESS OTHERWISE SPECIFIED:		APVD L. CASTAGNA 29-OCT-84			PRODUCT SPEC		RECEPTACLE ASSEMBLY BOX II, 4-ROW W/.149 SOLDER TAILS																
<table border="1"> <tr><td>0 PLC</td><td>±</td><td>-</td></tr> <tr><td>1 PLC</td><td>±</td><td>-</td></tr> <tr><td>2 PLC</td><td>±</td><td>-</td></tr> <tr><td>3 PLC</td><td>±</td><td>.005</td></tr> <tr><td>4 PLC</td><td>±</td><td>-</td></tr> <tr><td>ANGLES</td><td>±</td><td>-</td></tr> </table>		0 PLC			±	-	1 PLC	±	-	2 PLC	±	-	3 PLC	±	.005	4 PLC	±	-	ANGLES	±	-	APPLICATION SPEC	
0 PLC	±	-																					
1 PLC	±	-																					
2 PLC	±	-																					
3 PLC	±	.005																					
4 PLC	±	-																					
ANGLES	±	-																					
MATERIAL		FINISH		CAGE CODE 00779		DRAWING NO 533285																	
<table border="1"> <tr><td>1</td><td>2</td></tr> </table>		1	2	<table border="1"> <tr><td>3</td></tr> </table>		3	SCALE 4:1		SHEET 1 of 2														
1	2																						
3																							
CUSTOMER DRAWING				REV S2																			

533285

单击下面可查看定价，库存，交付和生命周期等信息

[>>TE Connectivity\(泰科\)](#)