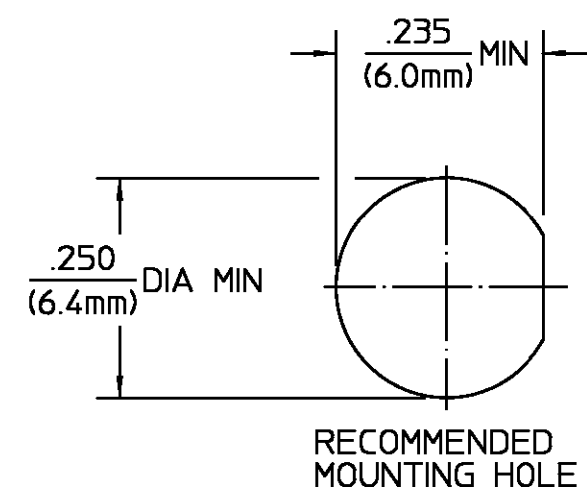


REVISIONS			
REV	DESCRIPTION	DATE	APPROVED
01 ₀	RELEASED	11/6/90	S.T.M.
01 ₁	VSWR 1.05 + .005(f)GHz WAS 1.08 + .008(f)GHz AND MATING TORQUE 7-10 In/Lbs WAS N/A PER ECN 91-0962	EFH 12/16/91	<i>[Signature]</i> 12-19-91



ELECTRICAL	MECHANICAL	ENVIRONMENTAL
Nominal Impedance (Ohms) <u>50</u>	Interface Dimensions MIL-STD-348, Fig. <u>310.2</u>	Temperature Rating <u>-65°C to +165°C</u>
Frequency Range (GHz) <u>DC to 18</u>	Recommended Mating Torque <u>7-10 In/Lbs</u>	Vibration MIL-STD-202, Method 204, Condition D
Volt Rating (VRMS MAX) @ Sea Level <u>335</u>	Mating Characteristics: Insertion (MAX Lbs) <u>3.0</u>	Shock MIL-STD-202, Method 213, Condition I
VSWR <u>1.05+.005(f)GHz</u>	Withdrawal (MIN Oz) <u>1.0</u>	Thermal Shock MIL-STD-202, Method 107, Condition C
Insertion Loss (dB MAX) <u>.06 √fGHz</u>	Force to Engage and Disengage (In/Lbs MAX) <u>2.0</u>	Moisture Resistance MIL-STD-202, Method 106, Except (7b (Vibration) Shall Be Omitted
RF Leakage (dB MIN) <u>-(90 - f(GHz))</u>	Center Contact Captivation: Axial (Lbs) <u>10.0</u>	Corrosion - MIL-STD-202, Method 101, Condition B, 5% salt spray
Corona, 70,000 Ft (VRMS MIN) <u>250</u>	Radial (In/Oz) <u>N/A</u>	
Dielectric Withstanding Voltage (VRMS MIN) @ Sea Level <u>1000</u>	Weight (Grams) <u>TBD</u>	
Contact Resistance (Milliohms MAX): Center Contact <u>4.0</u> , Outer Contact <u>2.0</u>		
RF High Potential @ Sea Level (VRMS MIN @ 5 MHz) <u>670</u>		
I.R.(Megohms MIN) <u>10,000</u>		

COMPONENT	MATERIAL	FINISH
HOUSING MOUNTING NUT LOCKWASHER	STAINLESS STEEL PER ASTM-A484 AND ASTM-A582, TYPE 303	PASSIVATE PER ASTM-A380
DIELECTRIC	TFE FLUOROCARBON PER ASTM-D-1457	N/A
CENTER CONTACT	BERYLLIUM COPPER PER ASTM B 196, ALLOY C17300, CONDITION H	GOLD PLATE PER MIL-G-45204 OVER COPPER PLATE PER MIL-C-14550

UNLESS OTHERWISE SPECIFIED DIMENSIONS ARE IN INCHES TOLERANCE ON FRAC. DEC. ANGLES ± 1/64 ±.005 ± °	DRAWN BY E.F.HOYLE	DATE 10/26/90	AMP Incorporated 140 Fourth Avenue Waltham, MA 02451-7599	
	CHECKED BY K.C.MAHER	11/5/90		
These drawings and specifications are the property of Omni Spectra Incorporated and shall not be reproduced or copied or used in whole or in part as the basis for the manufacture or sale of item(s) without written permission.	APPD BY S.T.M.	11/6/90	AMP	
	USE ASS'Y PROCEDURE	TITLE OSM JACK TO JACK ADAPTER BULKHEAD FEEDTHROUGH		
	NO. AP. <u>N/A</u>	SIZE B	CODE IDENT NO. 26805	2084-1900-02
SCALE 5:1		SHEET 1 OF 1		

CUSTOMER DRAWING AMP PART # 1054881-1 SHEET 1 OF 1 REV A

单击下面可查看定价，库存，交付和生命周期等信息

[>>TE Connectivity\(泰科\)](#)