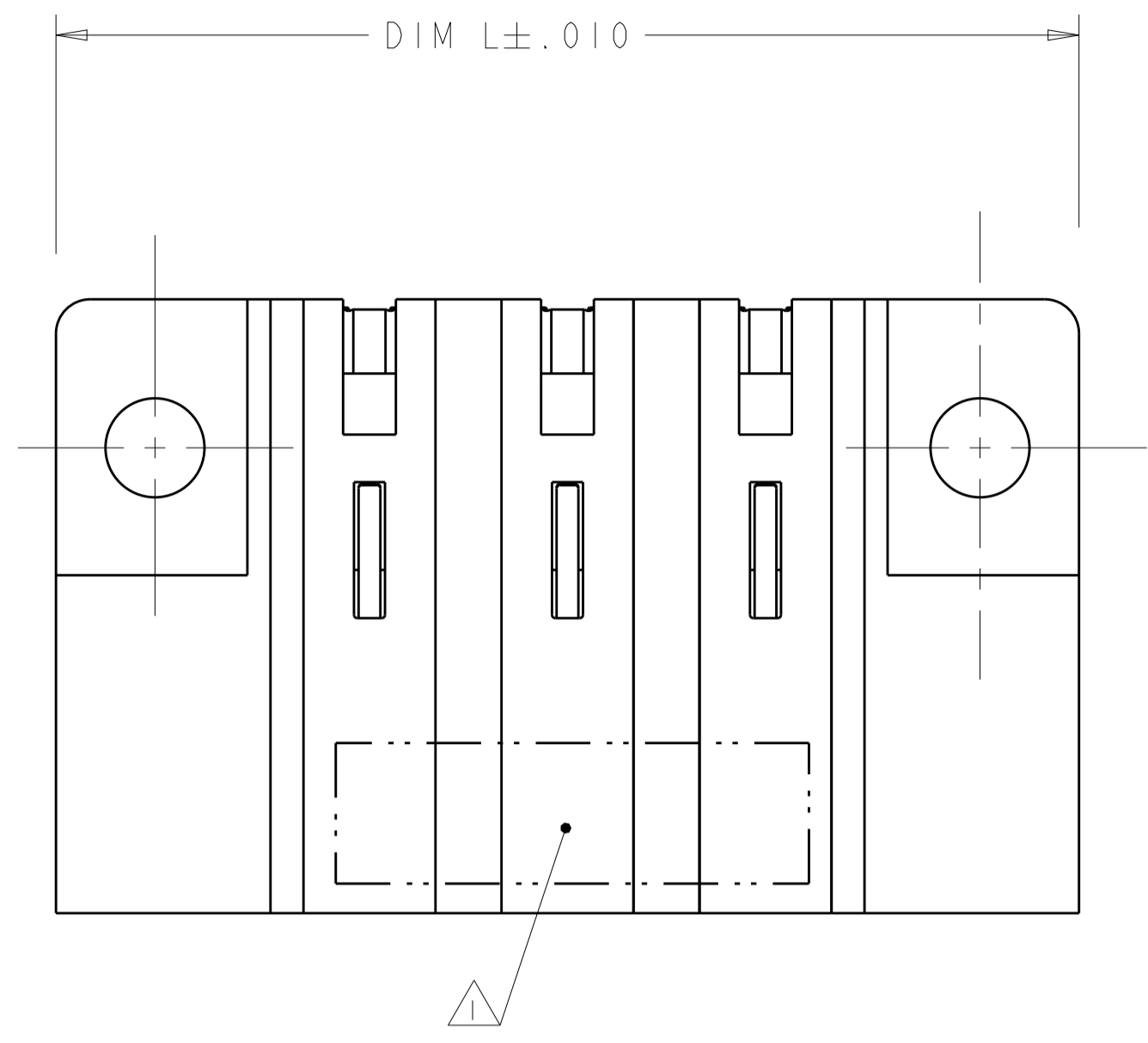
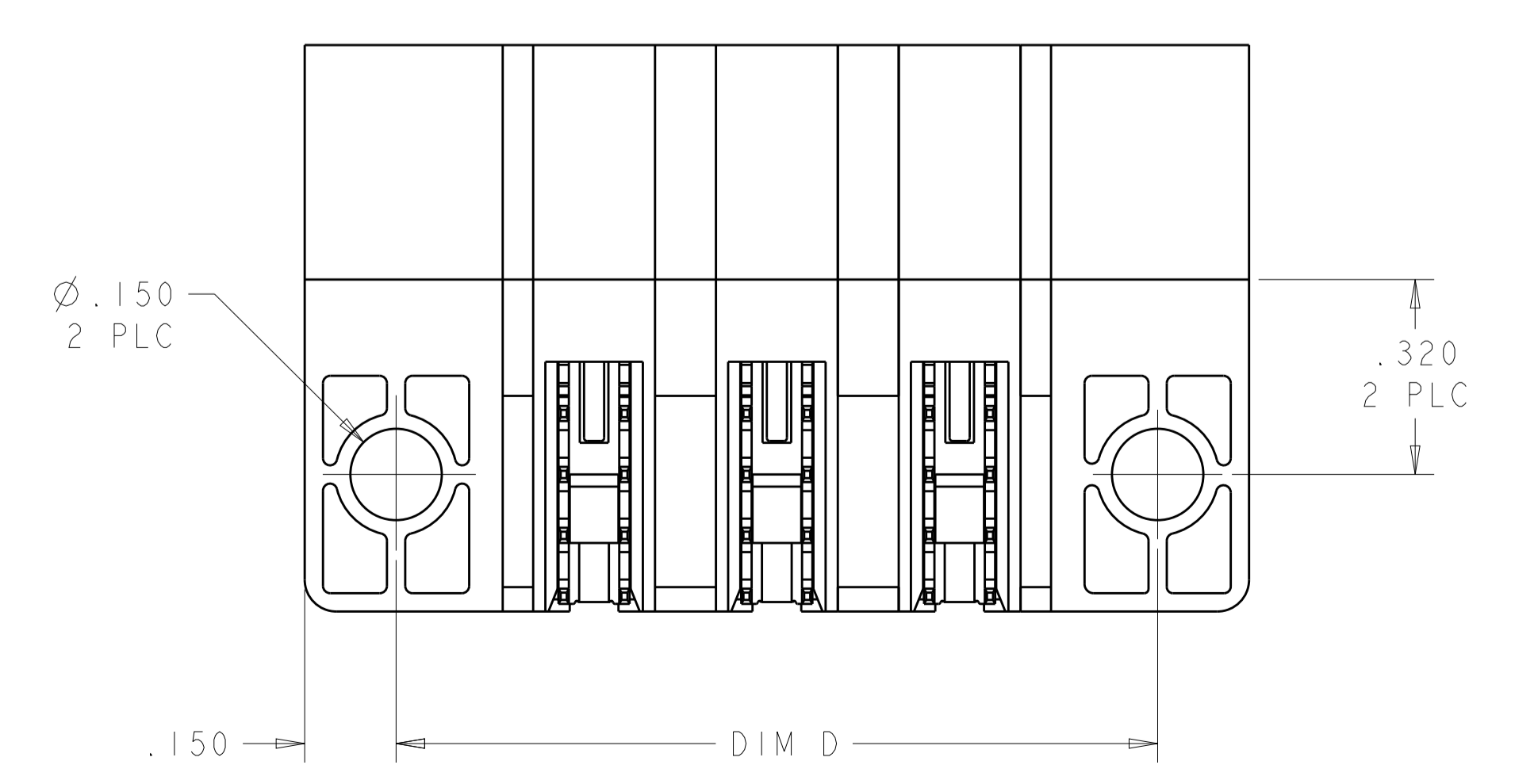
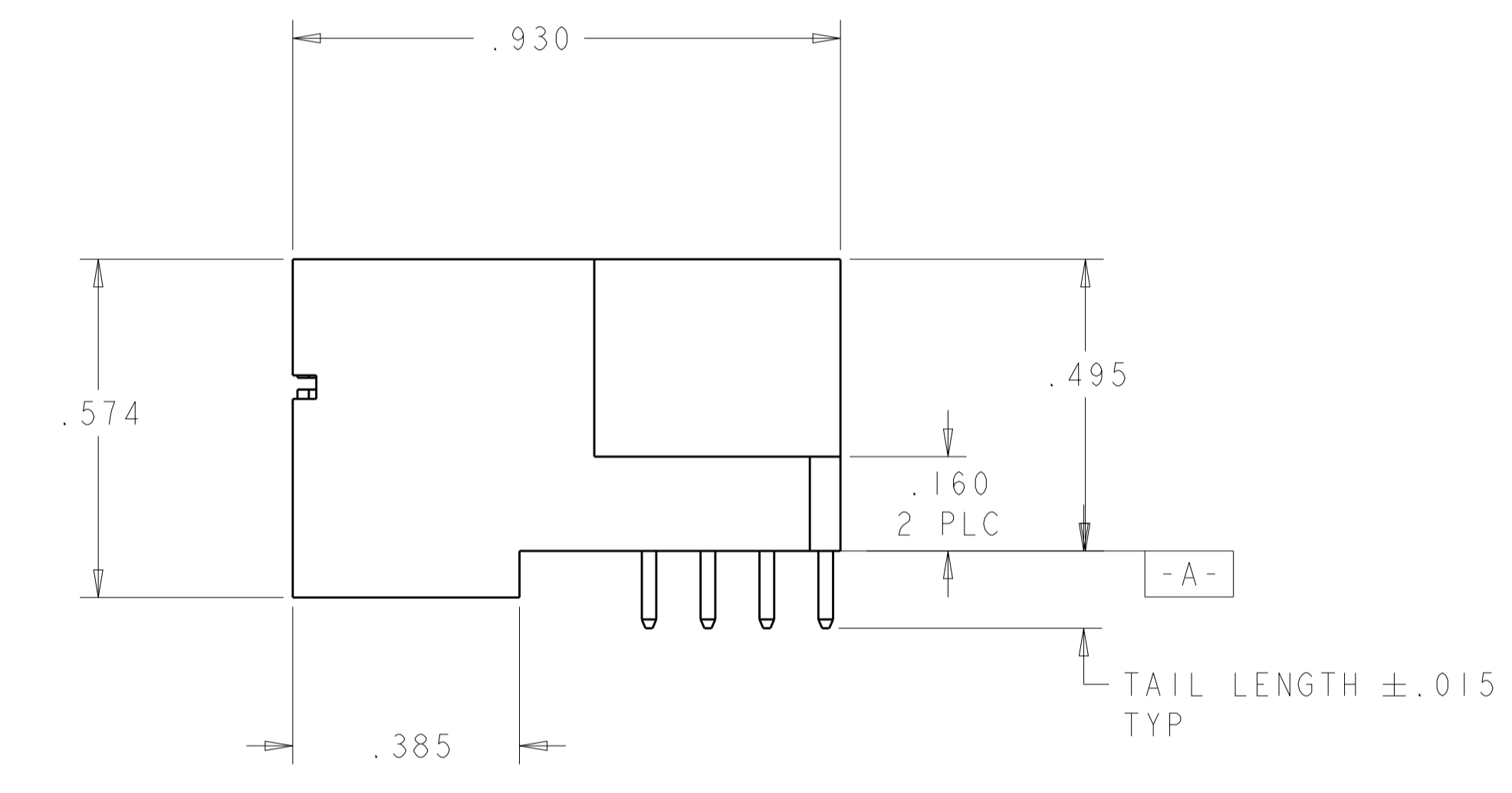
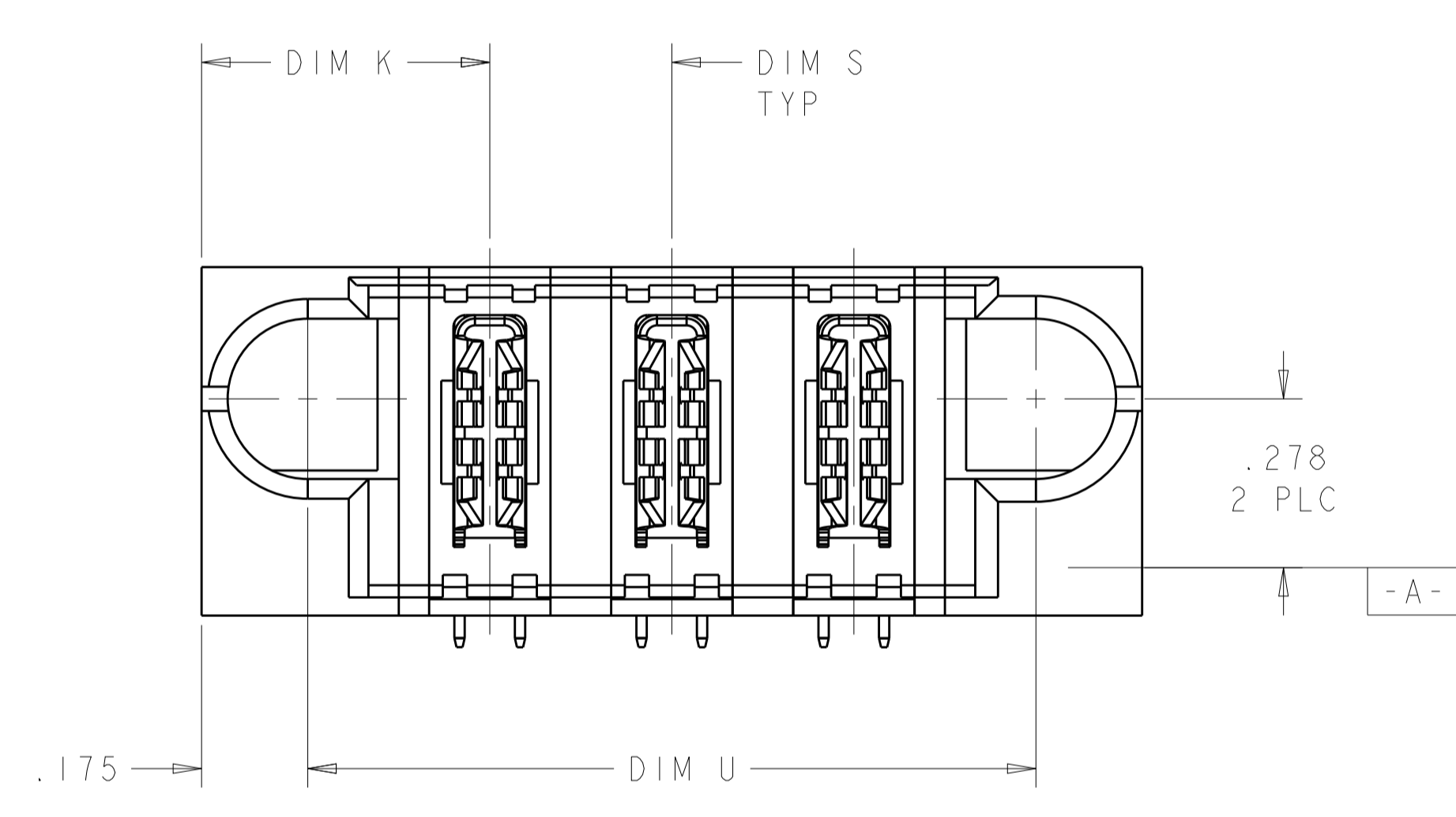


LOC	DIST	REVISIONS					
GP	00	P	LTN	DESCRIPTION	DATE	DWN	APVD
		C		REV PER ECR-07-006314	21MAY2007	CZ	SY
		D		REV PER ECR-07-030973	24DEC2007	CZ	SY
		D1		ADD DASH NUMBER -5	22APR2009	OL	SY
		D2		REV PER ECR-09-010609	11MAY2009	OL	SY
		D3		ADDED DASH NUMBER -6	22APR2010	AL	SY
		E1		REV PER ECR-10-012886	23JUN2010	AL	SY



- 1 "AMP" PART NUMBER AND DATE CODE TO BE MARKED IN AREA SHOWN. PARTS UNDER 2.00 LONG MAY BE MARKED ON BOTH SIDES.
- 2 MATERIAL: HOUSING - GLASS FILLED HIGH TEMP THERMO PLASTIC. UL94 V-0  
POWER CONTACT - HIGH CONDUCTIVITY COPPER ALLOY.
- 3 CONTACT PLATING: NOBLE METAL PLATING ON CONTACT FUNCTIONAL AREA OF POWER AND SIGNAL CONTACTS
- 4 MECHANICAL CONNECTOR KEEP OUT ZONE.
- 5 DATUM AND BASIC DIMENSIONS ESTABLISHED BY CUSTOMER.
- 6 PCB- ALL HOLE DIAMETERS ARE FINISHED HOLE SIZES.
- 7 PCB- .0453±.0010 DRILLED HOLES WITH .0003 MIN Sn OVER .001 TO .003 Cu PLATING TO ACHIEVE A .040±.003 DIA. HOLE
- 8 VARIABLE DIMENSIONS SHOWN ON VIEW (SHEET2 AND SHEET3).

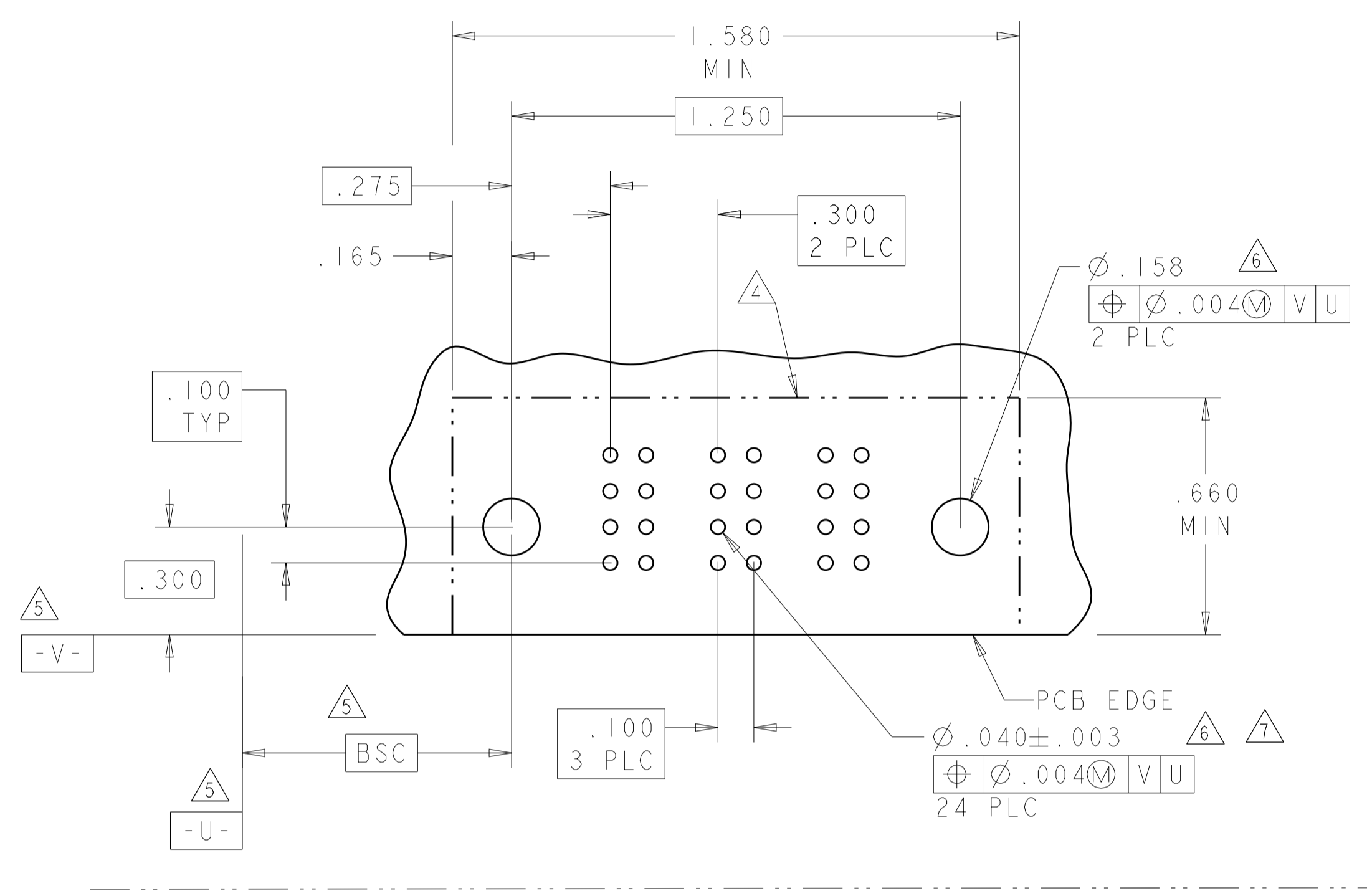


.250	1.800	1.850	2.150	.450	6P	6450323-7
.200	5.550	5.600	5.900	.450	26P	6450323-5
8	2.500	2.550	2.850	.450	9P	6450323-4
8	1.900	1.950	2.250	.525	6P	6450323-3
.300	1.800	1.850	2.150	.475	5ACP	6450323-2
.300	1.200	1.250	1.550	.475	3 ACP	6450323-1
DIM S	DIM U	DIM D	DIM L	DIM K	DESCRIPTION	PART NUMBER

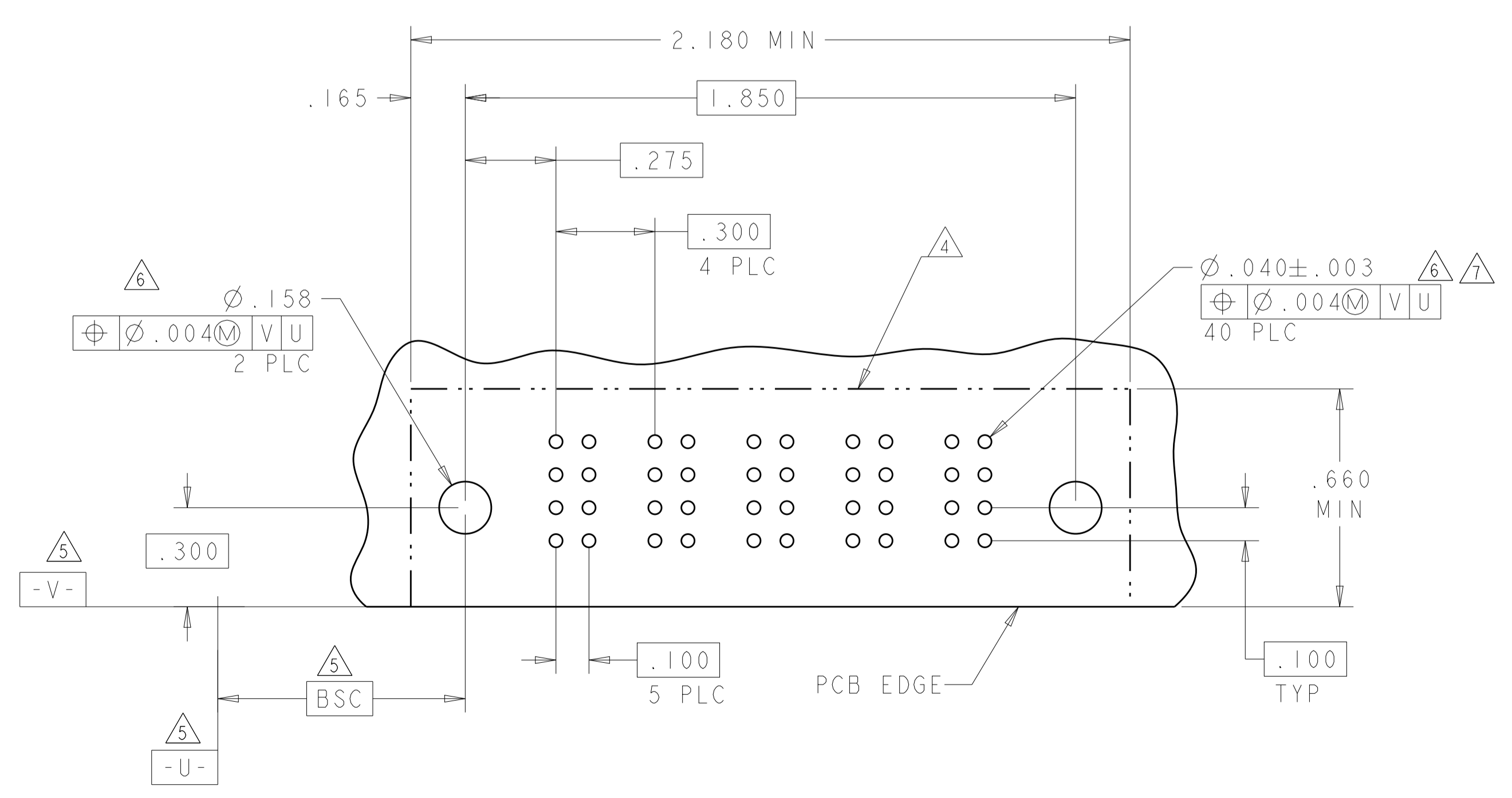
DIMENSIONS: INCHES 		TOLERANCES UNLESS OTHERWISE SPECIFIED: 0 PLC ±. 1 PLC ±.01 2 PLC ±.01 3 PLC ±.005 4 PLC ±.0020 ANGLES ±.020		DWN R. GRZYBOWSKI 30MAR05 CHK M. PERCHERKE 30MAR05 APVD M. PERCHERKE PRODUCT SPEC 108-1973 APPLICATION SPEC 114-13038 WEIGHT CUSTOMER DRAWING		Tyco Electronics Harrisburg, PA 17105-3608 NAME RIGHT ANGLE HEADER ASSEMBLY W/GUIDES MULTI-BEAM XL SIZE CAGE CODE DRAWING NO A1 00779 6450323 SCALE 4:1 SHEET 1 OF 5 REV E1	
---------------------------	--	---	--	---	--	--	--

LOC	DIST	REV	DATE	BY	APPV
GP	00				
P LTH		DESCRIPTION		DATE	BY
		SEE SHEET 1			

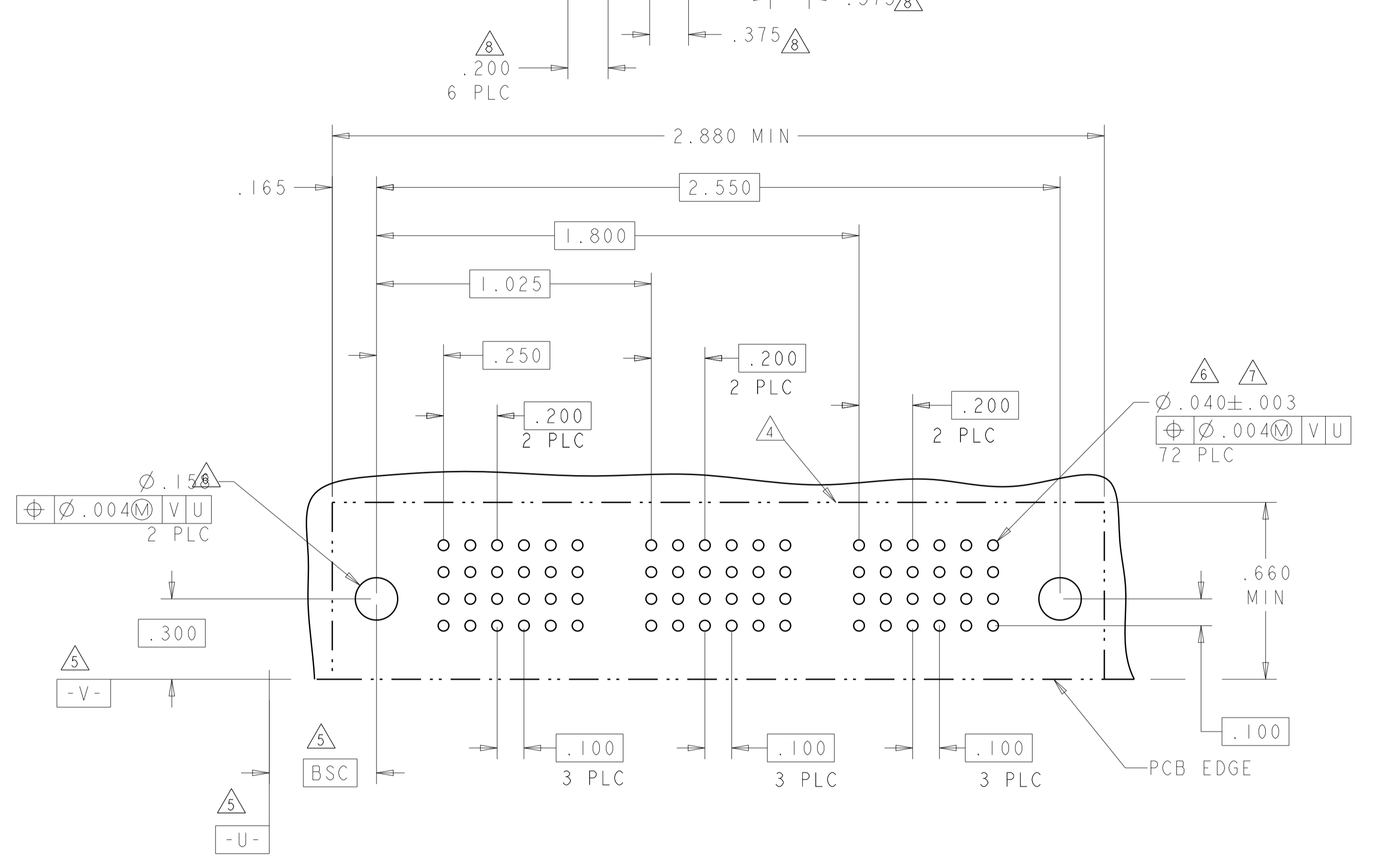
PART NUMBER	ROWS	POWER		
		P1	P2	P3
6450323-1	D C B A	PM	PM	PM
3ACP				



PART NUMBER	ROWS	POWER				
		P1	P2	P3	P4	P5
6450323-2	D C B A	PM	PM	PM	PM	PM
5ACP						



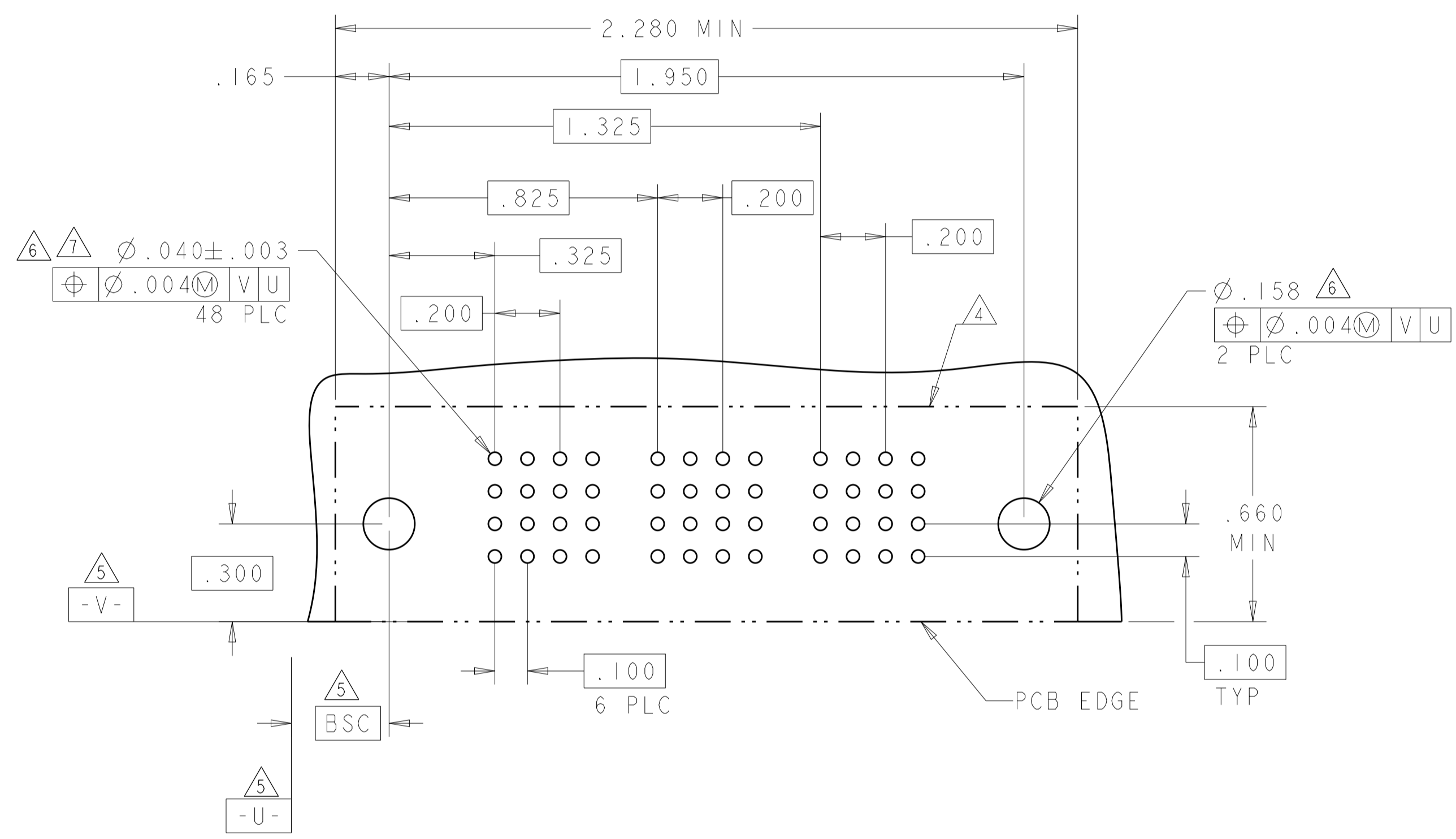
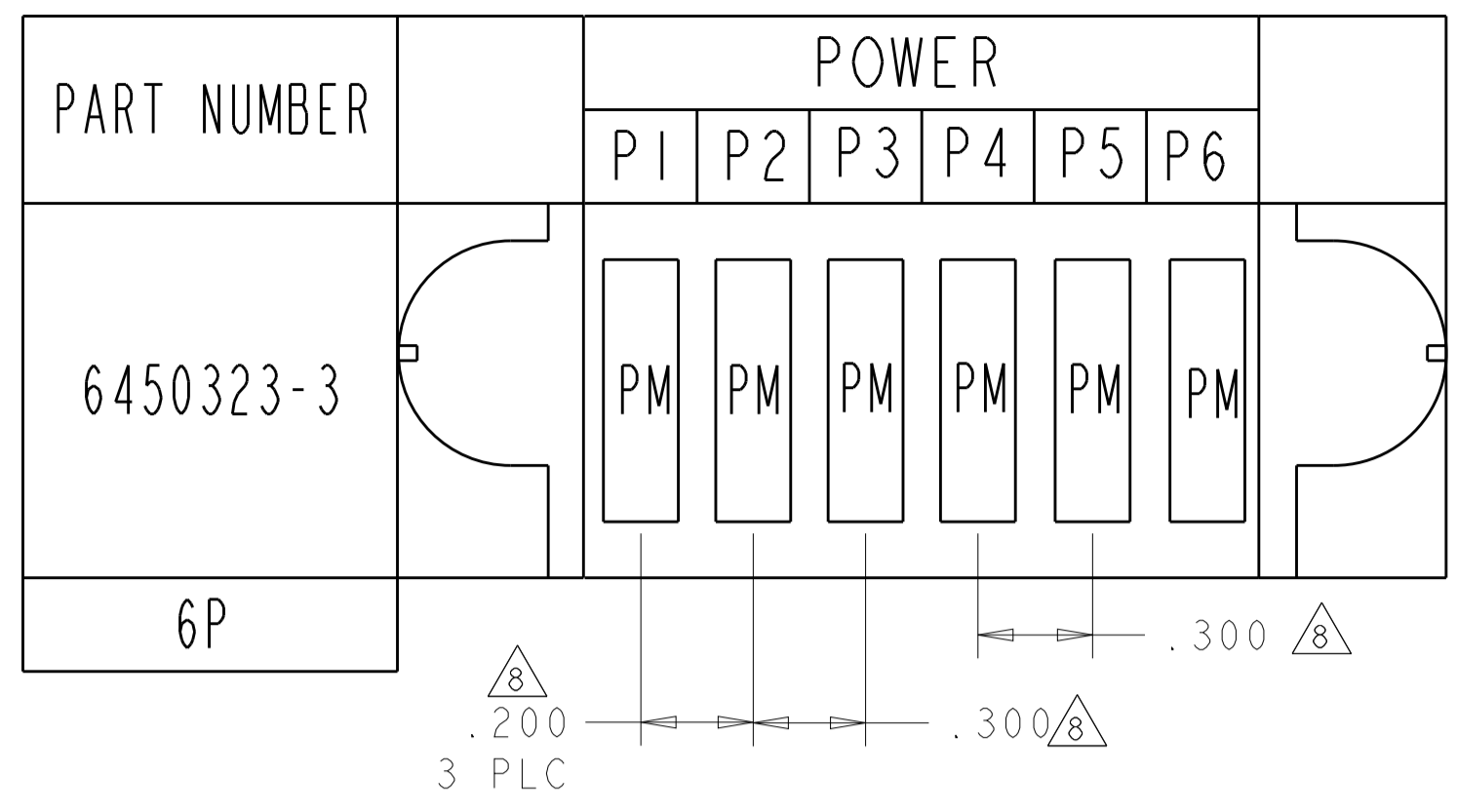
PART NUMBER	ROWS	POWER								
		P1	P2	P3	P4	P5	P6	P7	P8	P9
6450323-4	D C B A	PM	PM	PM	PM	PM	PM	PM	PM	PM
9P										



PM	.135
CODE	TAIL LENGTH
POWER CONTACT	

<small>THIS DRAWING IS UNPUBLISHED. RELEASED FOR PUBLICATION. COPYRIGHT 20 BY TYCO ELECTRONICS CORPORATION. ALL RIGHTS RESERVED.</small>		DWN: R. GRZYBOWSKI CHK: M. PERCHERKE APVD: M. PERCHERKE	30MAR05 30MAR05 NAME: RIGHT ANGLE HEADER ASSEMBLY W/GUIDES MULTI-BEAM XL PRODUCT SPEC: 108-1973 APPLICATION SPEC: 114-13038 WEIGHT: - FINISH: 3	Tyco Electronics Harrisburg, PA 17105-3608
DIMENSIONS: INCHES TOLERANCES UNLESS OTHERWISE SPECIFIED: 0 PLC ±. 1 PLC ±.01 2 PLC ±.01 3 PLC ±.005 4 PLC ±.0020 ANGLES ±.0020	MATERIAL: - FINISH: 3	SIZE: A1 CAGE CODE: 00779 DRAWING NO: 6450323	RESTRICTED TO: - SCALE: 4:1 SHEET: 2 OF 5 REV: E1	CUSTOMER DRAWING

LOC	DIST	REVISIONS			
P	LTN	DESCRIPTION	DATE	DWN	APVD
-	-	SEE SHEET 1	-	-	-

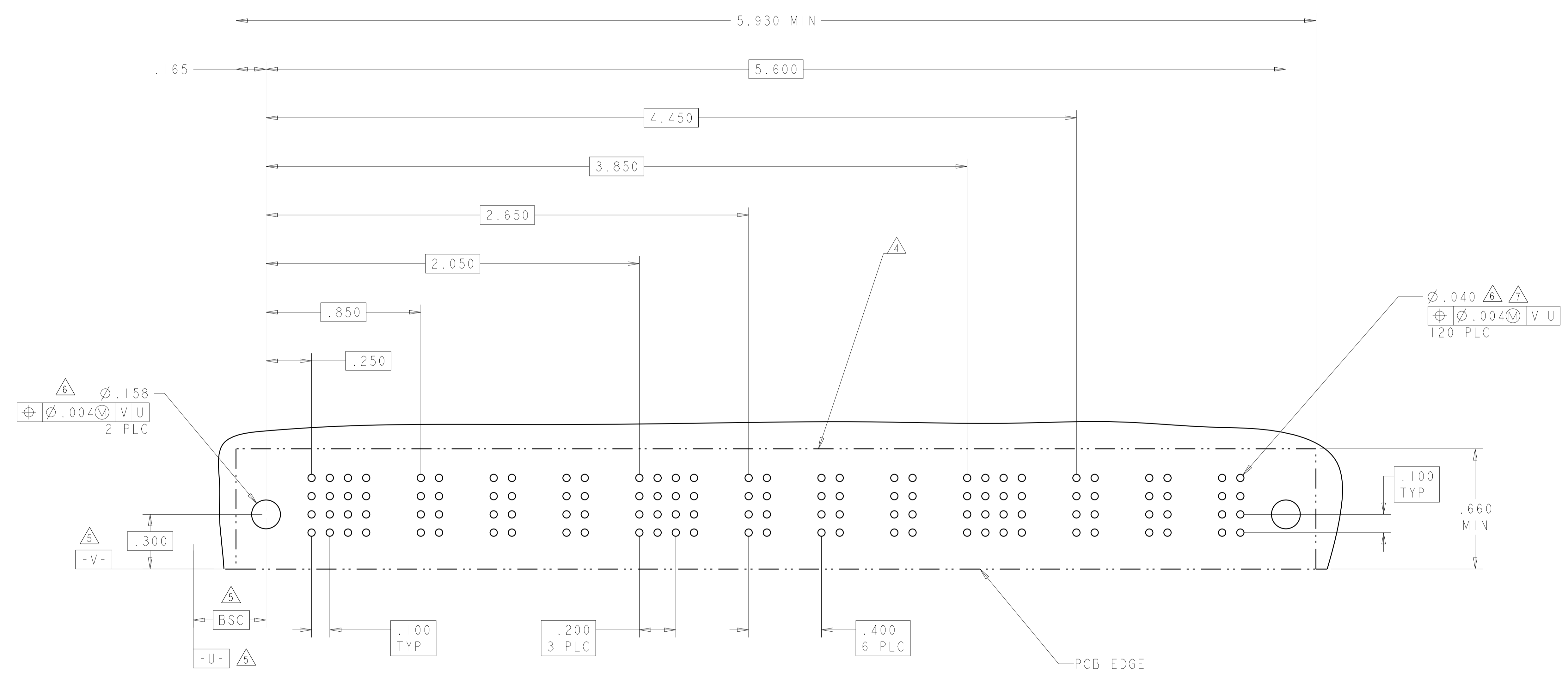


<small>THIS DRAWING IS UNPUBLISHED. RELEASED FOR PUBLICATION BY TYCO ELECTRONICS CORPORATION. ALL RIGHTS RESERVED.</small>		DWN: R. GRZYBOWSKI CHK: M. PERCHERKE APVD: M. PERCHERKE	30MAR05 30MAR05 NAME: 30MAR05	Tyco Electronics Harrisburg, PA 17105-3608
DIMENSIONS: INCHES	TOLERANCES UNLESS OTHERWISE SPECIFIED: 0 PLC ±. 1 PLC ±.01 2 PLC ±.01 3 PLC ±.005 4 PLC ±.0020 ANGLES ±.2° FINISH 3	PRODUCT SPEC: 108-1973 APPLICATION SPEC: 114-13038 WEIGHT: - CUSTOMER DRAWING	NAME: RIGHT ANGLE HEADER ASSEMBLY W/GUIDES MULTI-BEAM XL SIZE: A CAGE CODE: 00779 DRAWING NO: 6450323	RESTRICTED TO: - SCALE: 4:1 SHEET: 3 OF 5 REV: E1

LOC	DIST	REVISIONS					
GP	00	P	LTN	DESCRIPTION	DATE	DMN	APVD
		-		SEE SHEET 1			

PART NUMBER	ROWS	POWER																									
		P1	P2	P3	P4	P5	P6	P7	P8	P9	P10	P11	P12	P13	P14	P15	P16	P17	P18	P19	P20	P21	P22	P23	P24	P25	P26
6450323-5	D C B A	PM	PM		PM		PM		PM		PM	PM		PM		PM		PM		PM	PM		PM		PM		PM
26P																											

NO CONTACTS LOADED



DIMENSIONS: INCHES 		TOLERANCES UNLESS OTHERWISE SPECIFIED: 0 PLC ±. 1 PLC ±.01 2 PLC ±.01 3 PLC ±.005 4 PLC ±.0020 ANGLES ±.7° FINISH 3		DWN R. GRZYBOWSKI 30MAR05 CHK M. PERCHERKE 30MAR05 APVD M. PERCHERKE PRODUCT SPEC 108-1973 APPLICATION SPEC 114-13038 WEIGHT CUSTOMER DRAWING		Tyco Electronics Harrisburg, PA 17105-3608 NAME RIGHT ANGLE HEADER ASSEMBLY W/GUIDES MULTI-BEAM XL SIZE A1 CAGE CODE 00779 DRAWING NO. 6450323 RESTRICTED TO SCALE 4:1 SHEET 4 OF 5 REV E1	
---------------------------	--	--	--	---	--	---	--



单击下面可查看定价，库存，交付和生命周期等信息

[>>TE Connectivity\(泰科\)](#)