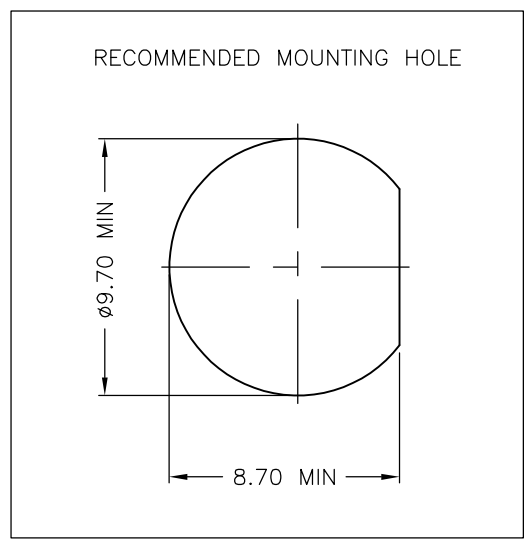
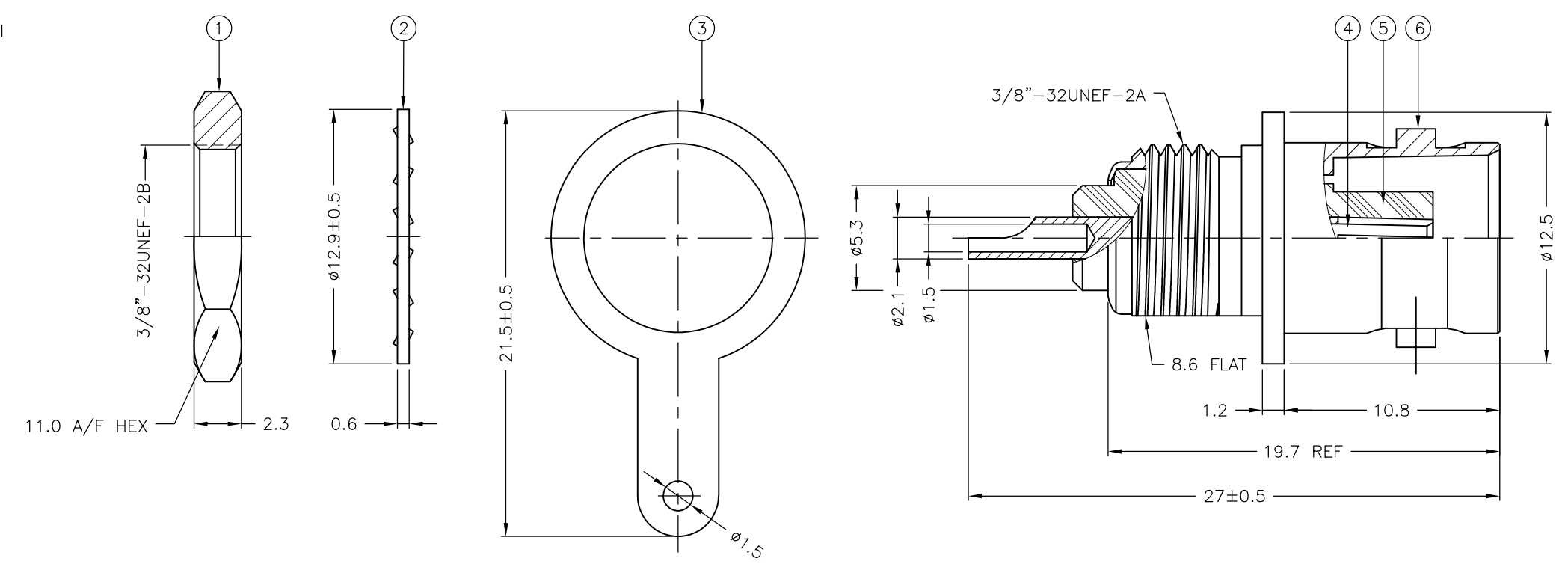


THIS DRAWING IS UNPUBLISHED. RELEASED FOR PUBLICATION NOV ,2005.  
 © COPYRIGHT 2005 By - ALL RIGHTS RESERVED.

REVISIONS					
P	LTR	DESCRIPTION	DATE	DWN	APVD
	E2	ECR-17-009545	28JUL2017	AS	RS

- NOTES:**
- ① SINGLE PACKING: ONE CONNECTOR PER LABELED BAG PACKAGED. LABELED PER TEC-107-115
  - ② TRAY PACKAGED
  - ③ Au PLATING
  - ④ Ni PLATING
- 5 ELECTRICAL CHARACTERISTICS
- |                               |                            |
|-------------------------------|----------------------------|
| FREQUENCY RANGE:              | DC - 4 GHz                 |
| NOMINAL IMPEDANCE:            | 50 Ohm                     |
| INSULATION RESISTANCE:        | 5000 MOhm                  |
| WORKING VOLTAGE:              | 500 Volts RMS at Sea Level |
| DIELECTRIC WITHSTAND VOLTAGE: | 1500 Volts RMS Max         |
| CONTACT RESISTANCE:           |                            |
| CENTER CONTACT:               | 1.50 mOhm Max              |
| OUTER CONTACT:                | 1.00 mOhm Max              |
| VSWR @ 3GHz:                  | 1.35 Max                   |
| INSERTION LOSS xdb:           | N/A                        |
- 6 MECHANICAL CHARACTERISTICS
- |                               |                |
|-------------------------------|----------------|
| COUPLING RETENTION FORCE:     | N/A            |
| CABLE RETENTION FORCE:        | N/A            |
| MOUNT NUT RECOMMENDED TORQUE: | 2.5 Nm         |
| DURABILITY:                   | 500 Cycles Min |
- 7 ENVIRONMENTAL CHARACTERISTICS
- |                        |                  |
|------------------------|------------------|
| OPERATING TEMPERATURE: | -65 to +165 DegC |
|------------------------|------------------|



QTY	QTY PER ASSY	QTY PER ASSY	MATERIAL	DESCRIPTION	ITEM
1	1	1	BRASS	BODY	6
1	1	1	PTFE	INSULATION	5
1	1	1	PHOSPHOR BRONZE	CONTACT	4
1	1	1	BRASS	SOLDER TAG	3
1	1	1	STEEL	LOCKWASHER	2
1	1	1	BRASS	HEX NUT	1
6--0	1--0		MATERIAL	DESCRIPTION	ITEM

THIS DRAWING IS A CONTROLLED DOCUMENT.		DWN	J.SANDWELL	28NOV05	 TE Connectivity	NAME		BNC BULKHEAD SOCKET FRONT MOUNT + TAG 50 OHM					
DIMENSIONS: mm		CHK	S.PARLOW	28NOV05		PRODUCT SPEC		SIZE	CAGE CODE	DRAWING NO	RESTRICTED TO		
TOLERANCES UNLESS OTHERWISE SPECIFIED:		APVD	F.WHEELER-KING	28NOV05		APPLICATION SPEC		WEIGHT	A300779	C-1337448			
MATERIAL SEE TABLE								CUSTOMER DRAWING	SCALE	NTS	SHEET	1 OF 1	REV

单击下面可查看定价，库存，交付和生命周期等信息

[>>TE Connectivity\(泰科\)](#)