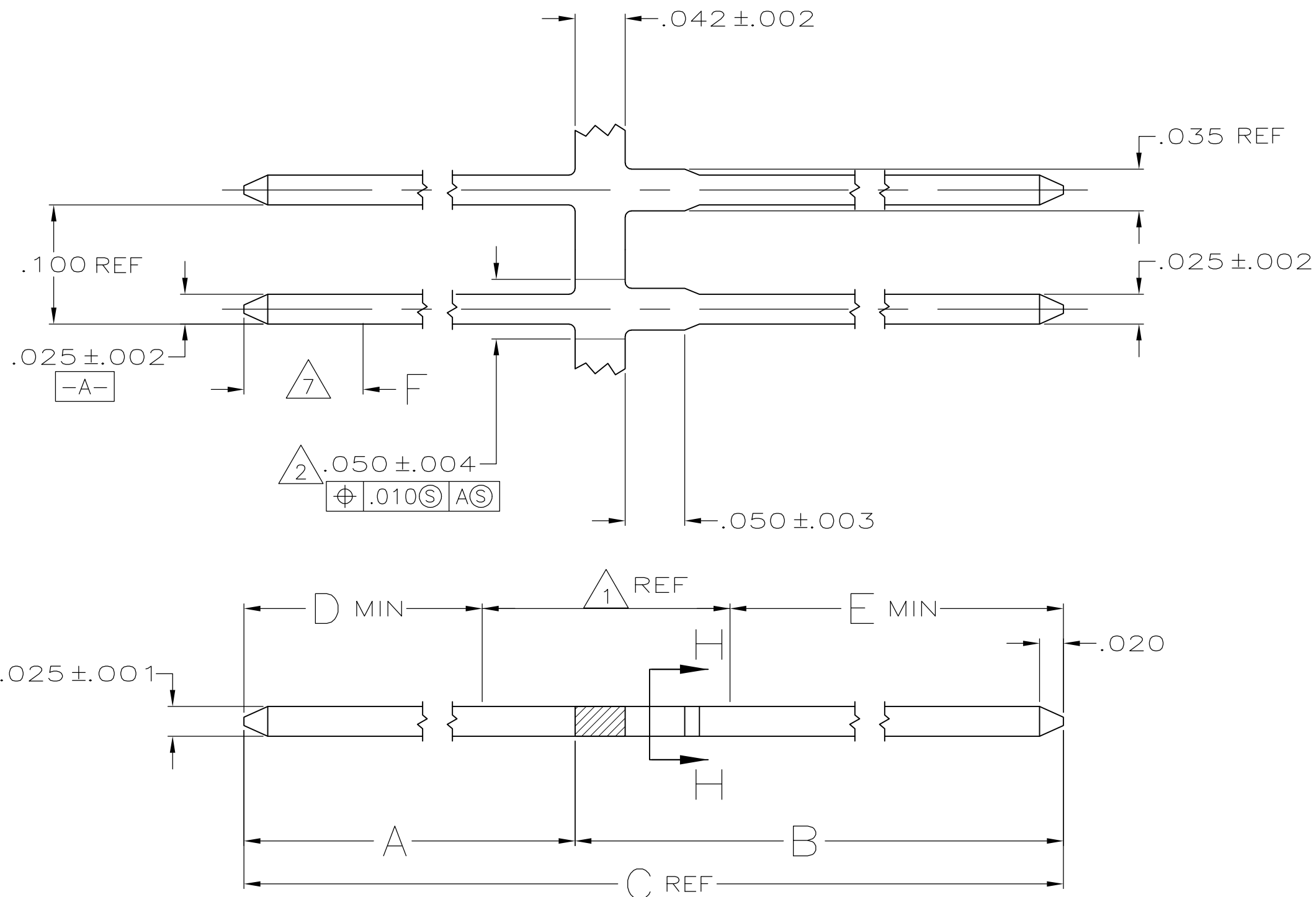
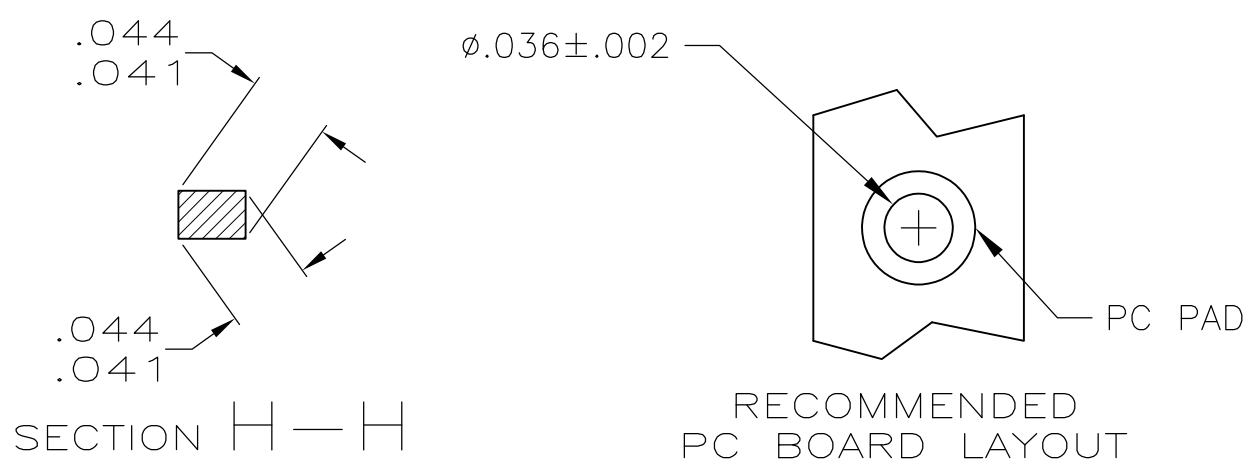


THIS DRAWING IS UNPUBLISHED. RELEASED FOR PUBLICATION  
 © COPYRIGHT - By - ALL RIGHTS RESERVED.

LOC		DIST		REVISIONS			
P	LTR	DESCRIPTION		DATE	DWN	APVD	
	F3	REVISED PER ECO-11-004917		11MAR11	RK	HMR	



- 1 THE AREA BETWEEN D & E WILL BE PLATED WITH .000050 MIN NICKEL
- 2 APPLICATOR CUT-OFF DIMENSION.
- 3 .000030 MIN GOLD OVER .000050 MIN NICKEL
- 4 .000100-.000200 MATTE TIN-LEAD OVER .000050 NICKEL.
- 5 .000015 MIN GOLD OVER .000050 MIN NICKEL.
- 6 .000050 MIN GOLD OVER .000050 MIN NICKEL.
- 7 POINT OF MEASUREMENT FOR PLATING THICKNESS.
- 8 .000100-.000200 MATTE TIN OVER .000050 NICKEL.
- 9 ROHS 2002/95/EC COMPLIANT.
- 10 OBSOLETE PARTS: OBSOLETE CIS STREAMLINING PER D.RENAUD/D.SINISI



OBSOLETE	.100	8	6	.125	.200	.483	.165	.318	9	5-87623-8
	.100	8	6	.160	.200	.828	.550	.278	9	5-87623-7
	.100	8	6	.220	.200	.628	.350	.278	9	5-87623-6
	.100	8	6	.280	.200	.688	.410	.278	9	5-87623-5
OBSOLETE	.100	8	5	.125	.200	.443	.165	.278	9	5-87623-4
	.100	8	5	.160	.200	.828	.550	.278	9	5-87623-3
	.100	8	5	.160	.200	1.016	.738	.278	9	5-87623-2
OBSOLETE	.100	8	3	.125	.200	.443	.165	.278	9	5-87623-1
	.100	4	6	.125	.200	.483	.165	.318		87623-8
OBSOLETE	.100	4	6	.160	.200	.828	.550	.278		87623-7
OBSOLETE	.100	4	6	.220	.200	.628	.350	.278		87623-6
OBSOLETE	.100	4	6	.280	.200	.688	.410	.278		87623-5
OBSOLETE	.100	4	5	.125	.200	.443	.165	.278		87623-4
	.100	4	5	.160	.200	.828	.550	.278		87623-3
OBSOLETE	.100	4	5	.160	.200	1.016	.738	.278		87623-2
OBSOLETE	.100	4	3	.125	.200	.443	.165	.278		87623-1
F	FINISH OVER AREA E	FINISH OVER AREA D	E	D	C	B	A	PART NUMBER		

SUPERSEDED BY 4-87022-1

THIS DRAWING IS A CONTROLLED DOCUMENT.

DWN: S. A. Shuey 11Dec96  
 CHK: -  
 APVD: S. A. Shuey 11Dec96  
 PRODUCT SPEC: -  
 APPLICATION SPEC: -  
 MATERIAL: PHOS BRONZE  
 FINISH: SEE TABLE  
 WEIGHT: -  
 CUSTOMER DRAWING

TE Connectivity  
 POST, MOD II  
 SIZE: A2  
 CAGE CODE: 00779  
 DRAWING NO: C-87623  
 RESTRICTED TO: -  
 SCALE: 10:1  
 SHEET: 1 of 1  
 REV: F3

单击下面可查看定价，库存，交付和生命周期等信息

[>>TE Connectivity\(泰科\)](#)