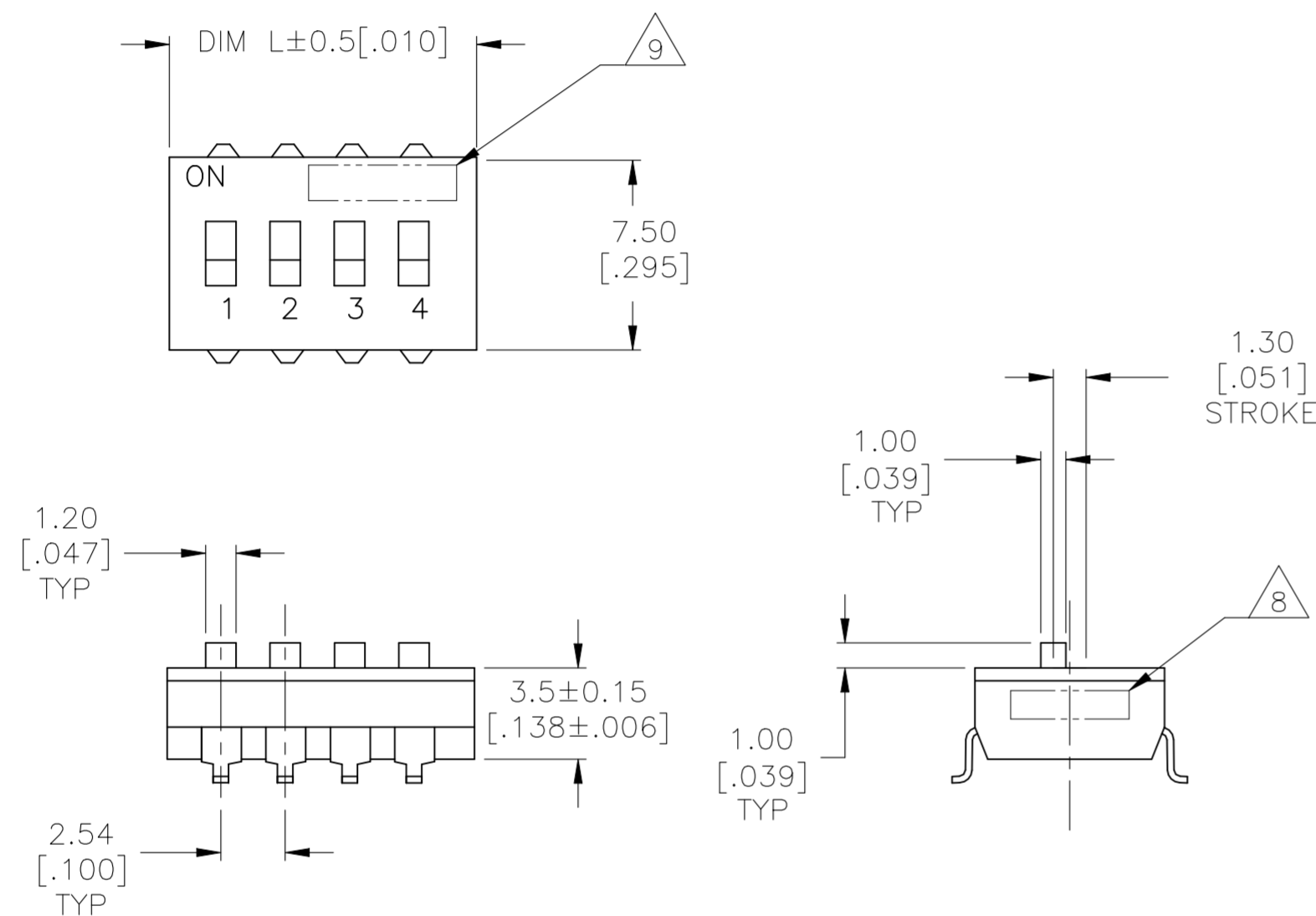


REVISIONS					
P	LTR	DESCRIPTION	DATE	DWN	APVD
T		REVISED PER ECO-21-006253	09JUN2021	RK	PO



8 MARK ALCO PLUS FIRST 5 DIGITS PER T&B P/N.2 AND 3 POSITION SUPPLIED WITHOUT ALCO

15 5 8 A1
 SPACE INTERNAL CONTROL No. (2-digit)

YEAR OF PRODUCTION WITH 1-DIGIT FIGURE(4TH DIGIT OF CALENDAR YEAR)
 (EXAMPLE: Y2018: 8; Y2019: 9)

MONTH OF PRODUCTION WITH 1-DIGIT FIGURE OR ALPHABET
 (EXAMPLE: 1~9, X(10), Y(11), Z(12))

DATE OF PRODUCTION WITH 2-DIGIT FIGURES(01-31)

9 MARK ALCO PLUS FIRST 5 DIGITS PER T&B P/N.2 AND 3 POSITION SUPPLIED WITHOUT ALCO

SEE SHEET 2 FOR PART NUMBER TABLE AND MOUNTING OPTIONS

SPECIFICATIONS:

MATERIAL
 BASE, PPS, UL94V-0, BLACK
 COVER, PPS, UL94V-0, BLACK
 ACTUATOR, PA6T, UL94V-0, WHITE
 FIXED CONTACT/TERMINAL, CU ALLOY-GOLD FLASH OVER NICKEL
 MOVING CONTACT, CU ALLOY, PLATE-GOLD FLASH/NICKEL

ELECTRICAL
 MAX CONTACT RATING SWITCHING, -100mA @5VDC (Ampere max)
 - 25mA@24VDC (Voltage max).
 MIN CONTACT RATING SWITCHING, .1MICROAMP @ 1 MILLIVOLT
 MAX CONTACT NON-SWITCHING, 1AMP @ 5 VDC
 INITIAL CONTACT RESISTANCE, 50 MILLIOHMS MAX.
 CONTACT RESISTANCE (AFTER ENVIRONMENTAL TEST), 100 MILLIOHMS
 CONTACT RESISTANCE (AFTER GAS TEST), 300 MILLIOHMS
 INSULATION RESISTANCE, 100MΩ MIN@ 100VDC BETWEEN THE SAME POLES
 DIELECTRIC STRENGTH, 300V AC FOR 1 MINUTE.
 ELECTRICAL LIFE, 1,000 CYCLES (10mA@5VDC)
 WITHSTAND VOLTAGE, 300VAC FOR 1 MIN BETWEEN THE SAME POLES

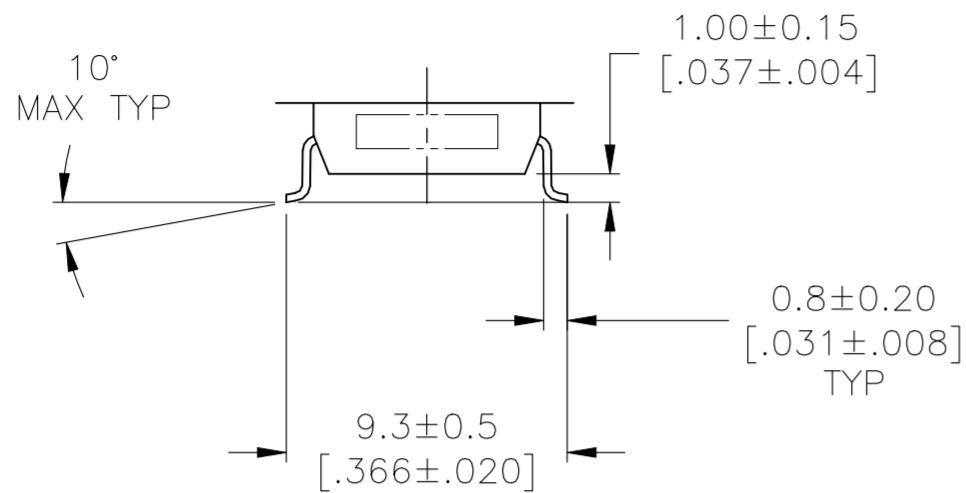
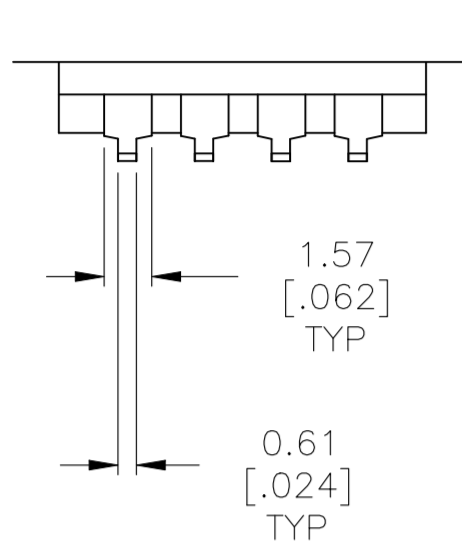
MECHANICAL
 OPERATING FORCE, LESS THAN 800 GRAMS
 CONTACT PRESSURE, 2.9N MIN.

ENVIRONMENTAL
 OPERATING TEMPERATURE, -30 TO +85 DEGREES C
 STORAGE TEMPERATURE, -40 to 85 DEGREES C
 CLEANING, AQUEOUS OR SOLVENT
 SOLDER HEAT RESISTANCE, PER 109-201,COND B, SWITCH "OFF".
 SOLDERABILITY PER JIS C 0050 & JIS C 0053

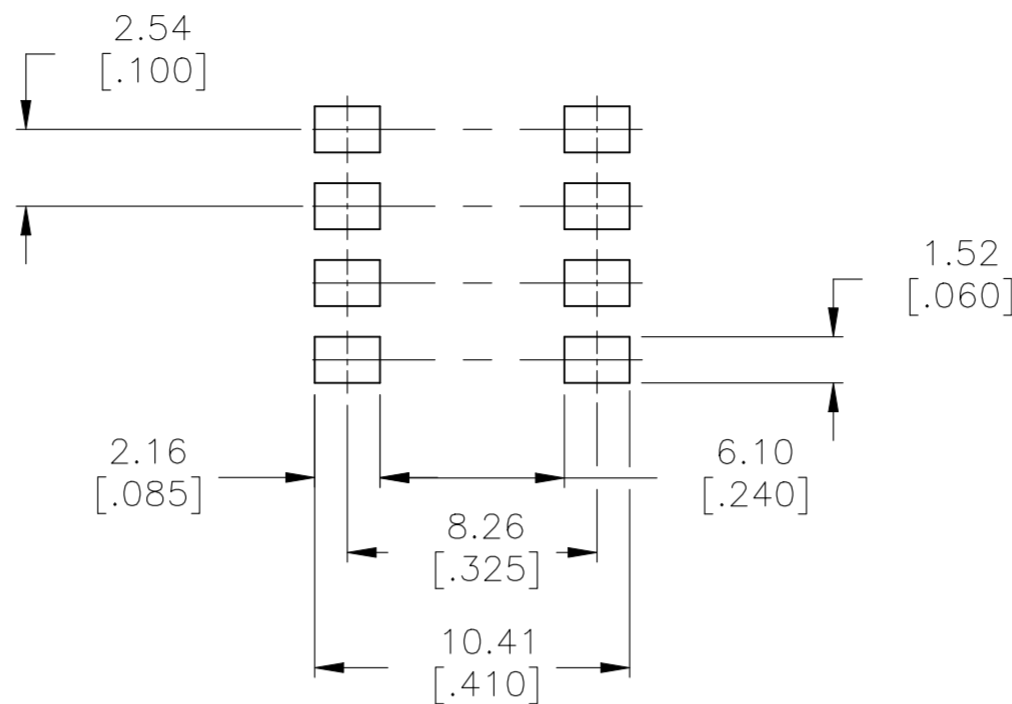
- 1 SWITCHES TO BE RECEIVED IN THE "OFF" POSITION AND PACKAGED IN CLEAR TUBES TO ACCOMMODATE AUTO-INSERTION.
- 2 TOP SURFACE TO BE CLEARLY MARKED AS SHOWN.
- 3 SWITCHES TO BE BLACK WITH WHITE ACTUATORS AND MARKINGS.
- 4 TERMINAL OPTION: OLD T&B P/N ADExxS, SA OR SB
 S= OUTSIDE "L" TERMINALS; SA= INSIDE "L" TERMINALS;
 SB= BUTT TERMINALS.
- 5 ALL MATERIALS AND FINISHES SHALL COMPLY WITH EU DIRECTIVE 2002/95/EC OF 27JAN2003 (ROHS).
- 6 OBSOLETE PARTS: OBSOLETE CIS STREAMLINING PER D.RENAUD/D.SINISI.
- 7 TAPE AND REEL PACKING PER PAGE 3 SPECIFICATIONS.

THIS DRAWING IS A CONTROLLED DOCUMENT.		DWN B.S.VISWESWARA 10FEB05	TE Connectivity	
DIMENSIONS: mm [INCHES]		CHK M.SARVER		
TOLERANCES UNLESS OTHERWISE SPECIFIED:		APVD M.SARVER	PRODUCT SPEC	DIP SWITCH, ADE-SMT SERIES
0 PLC ± - 1 PLC ± - 2 PLC ± 0.30[.012] 3 PLC ± - 4 PLC ± - ANGLES ± -		APPLICATION SPEC	SIZE A2	
MATERIAL	FINISH	WEIGHT	CAGE CODE	DRAWING NO
-	-	-	-	C=1825058
CUSTOMER DRAWING			SCALE	SHEET
			4:1	1 of 3
			REV	T

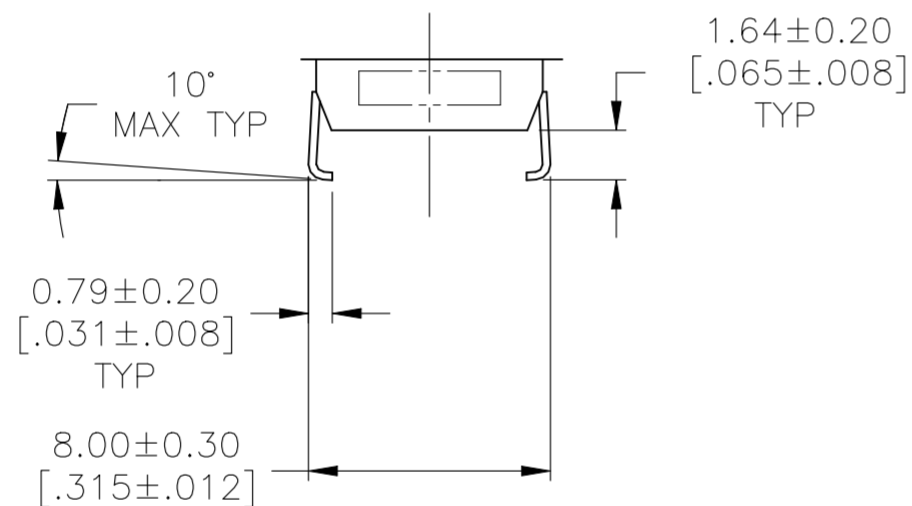
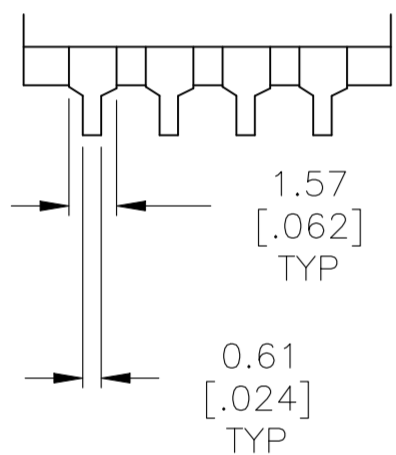
REVISIONS					
P	LTR	DESCRIPTION	DATE	DWN	APVD
-	-	SEE SHEET 1	-	-	-



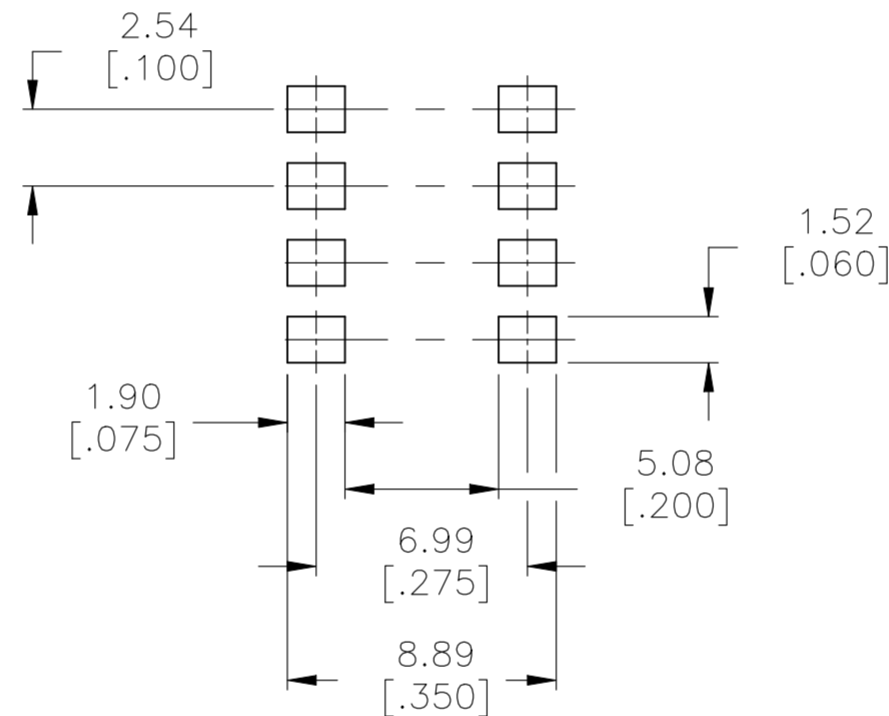
SURFACE MOUNT
S (OUTSIDE "L")



RECOMMENDED PAD LAYOUT



SURFACE MOUNT
SA (INSIDE "L")



RECOMMENDED PAD LAYOUT

	ADE12STR04	32.51	[1.280]	12	4-1825058-1
	ADE10STR04	27.30	[1.075]	10	4-1825058-0
	ADE09STR04	24.54	[.978]	9	3-1825058-9
	ADE08STR04	22.30	[.878]	8	3-1825058-8
	ADE07STR04	19.76	[.778]	7	3-1825058-7
	ADE06STR04	17.22	[.678]	6	3-1825058-6
	ADE05STR04	14.68	[.578]	5	3-1825058-5
	ADE04STR04	12.14	[.478]	4	3-1825058-4
	ADE03STR04	9.60	[.378]	3	3-1825058-3
	ADE02STR04	7.00	[.276]	2	3-1825058-2
	ADE04SATR04	12.14	[.478]	4	3-1825058-1
OBSOLETE	ADE12SB04	32.51	[1.280]	12	3-1825058-0
	ADE12SA04	32.51	[1.280]	12	2-1825058-9
OBSOLETE	ADE12S04	32.51	[1.280]	12	2-1825058-8
OBSOLETE	ADE10SB04	27.30	[1.075]	10	2-1825058-7
	ADE10SA04	27.30	[1.075]	10	2-1825058-6
	ADE10S04	27.30	[1.075]	10	2-1825058-5
	ADE09SB04	24.54	[.978]	9	2-1825058-4
	ADE09SA04	24.54	[.978]	9	2-1825058-3
	ADE09S04	24.54	[.978]	9	2-1825058-2
OBSOLETE	ADE08SB04	22.30	[.878]	8	2-1825058-1
	ADE08SA04	22.30	[.878]	8	2-1825058-0
	ADE08S04	22.30	[.878]	8	1-1825058-9
	ADE07SB04	19.76	[.778]	7	1-1825058-8
	ADE07SA04	19.76	[.778]	7	1-1825058-7
OBSOLETE	ADE07S04	19.76	[.778]	7	1-1825058-6
OBSOLETE	ADE06SB04	17.22	[.678]	6	1-1825058-5
	ADE06SA04	17.22	[.678]	6	1-1825058-4
	ADE06S04	17.22	[.678]	6	1-1825058-3
	ADE05SB04	14.68	[.578]	5	1-1825058-2
	ADE05SA04	14.68	[.578]	5	1-1825058-1
	ADE05S04	14.68	[.578]	5	1-1825058-0
	ADE04SB04	12.14	[.478]	4	1825058-9
	ADE04SA04	12.14	[.478]	4	1825058-8
	ADE04S04	12.14	[.478]	4	1825058-7
OBSOLETE	ADE03SB04	9.60	[.378]	3	1825058-6
	ADE03SA04	9.60	[.378]	3	1825058-5
	ADE03S04	9.60	[.378]	3	1825058-4
OBSOLETE	ADE02SB04	7.00	[.276]	2	1825058-3
	ADE02SA04	7.00	[.276]	2	1825058-2
	ADE02S04	7.00	[.276]	2	1825058-1
	T&B P/N	DIM L	POSITION	PART NO.	

THIS DRAWING IS A CONTROLLED DOCUMENT. DWN B.S.VISWESWARA 10FEB05
 CHK M.SARVER
 APVD M.SARVER
 PRODUCT SPEC
 APPLICATION SPEC
 WEIGHT -

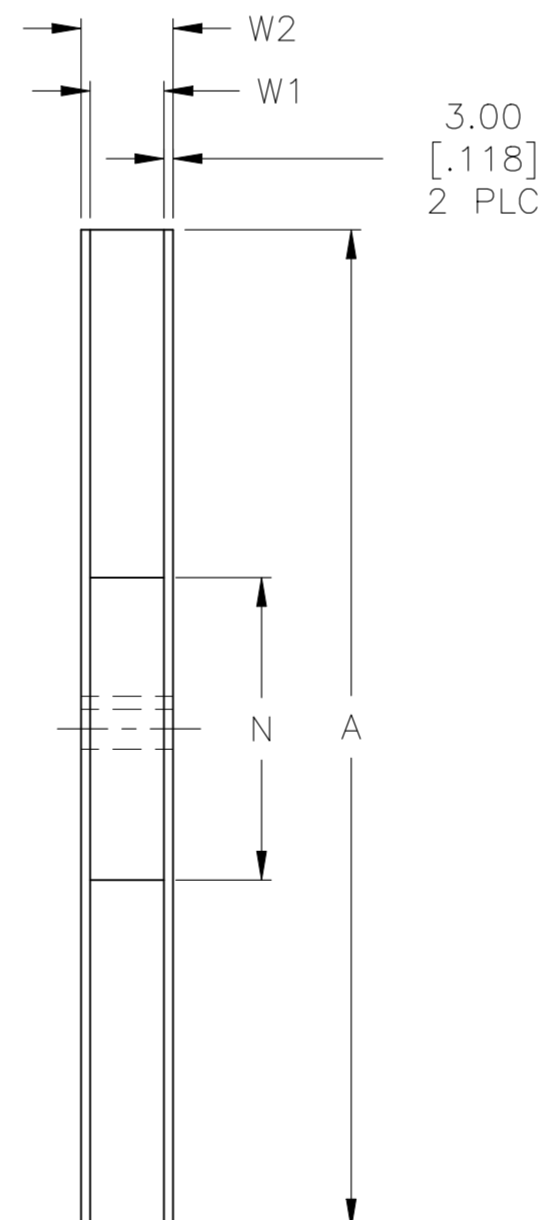
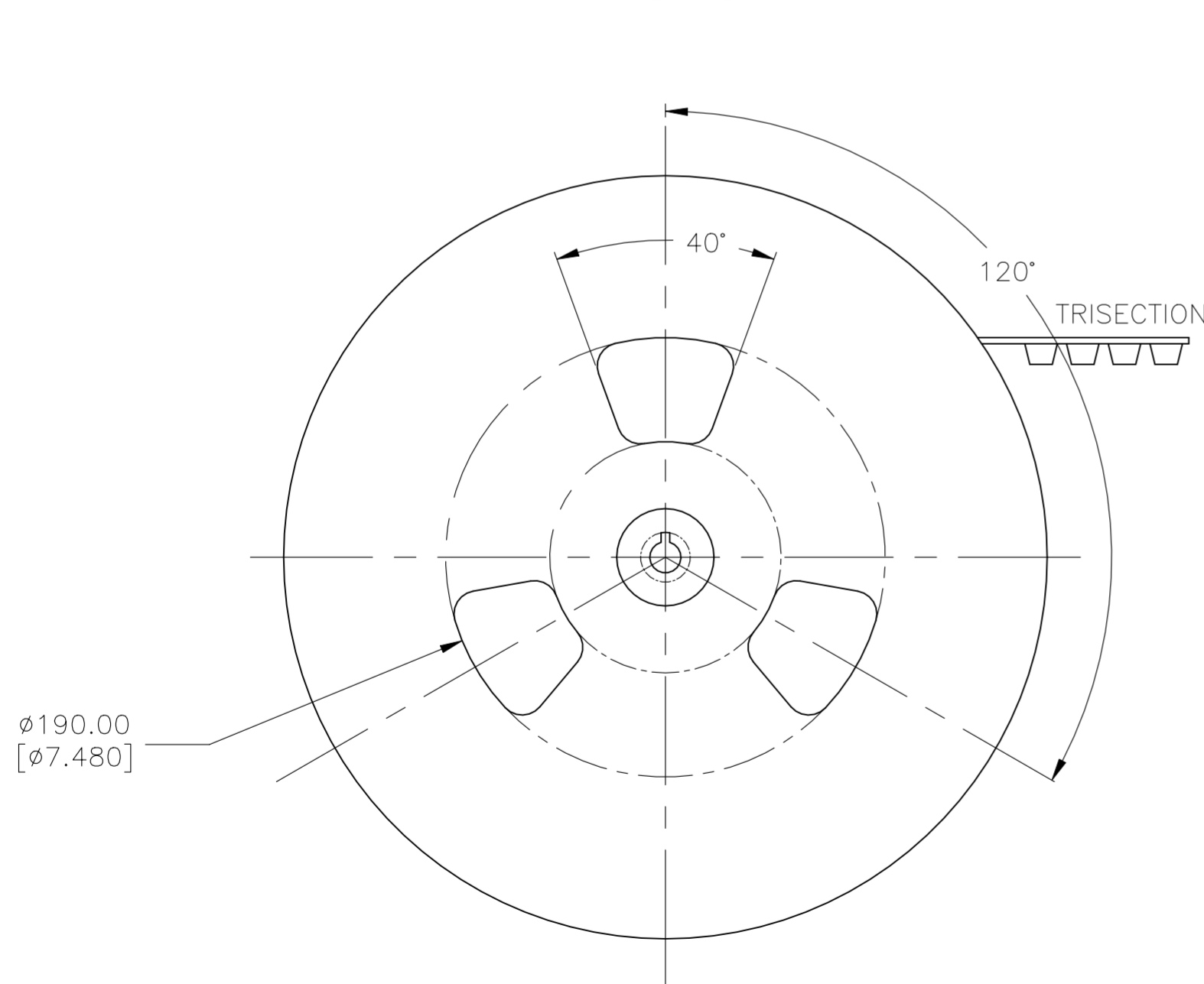
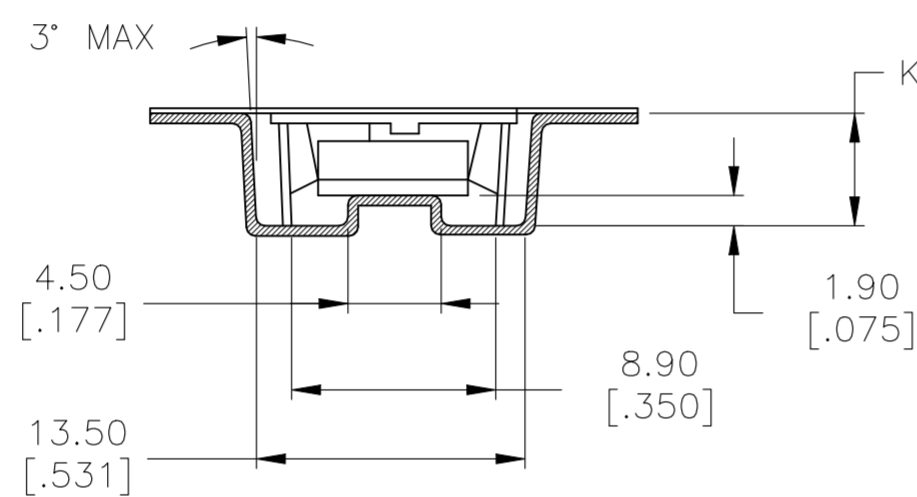
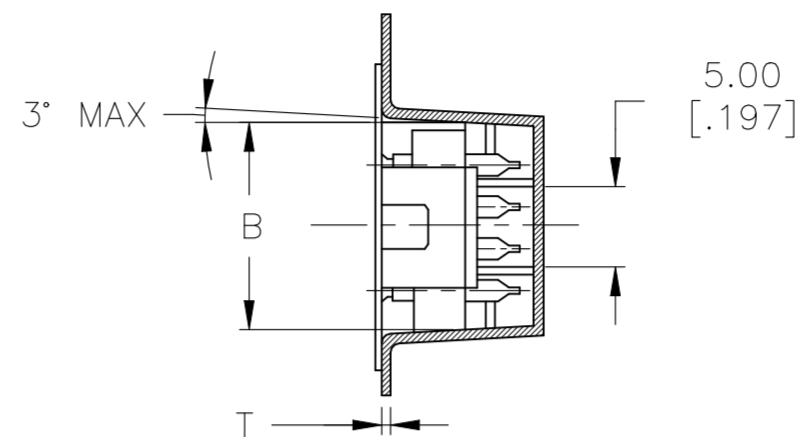
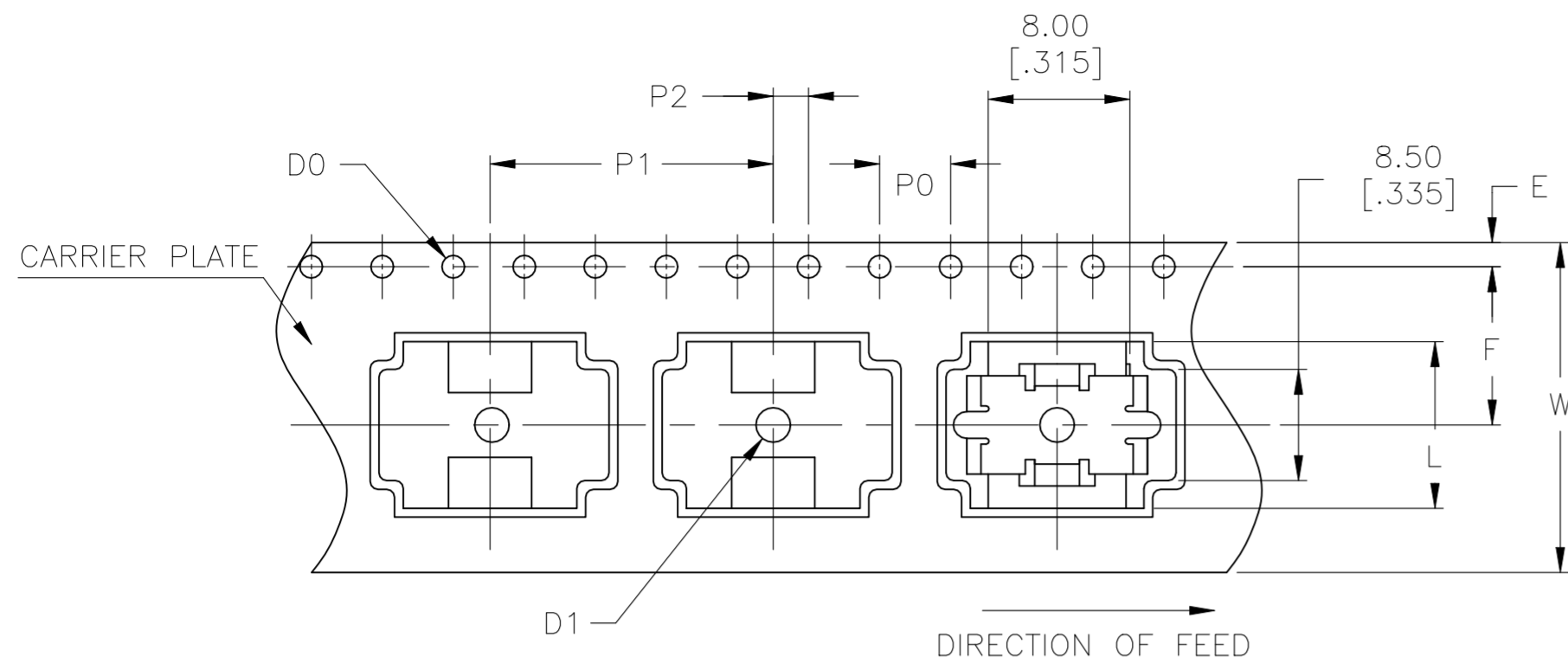
STE TE Connectivity
 DIP SWITCH, ADE-SMT SERIES

SIZE A2 CAGE CODE - DRAWING NO. C=1825058 RESTRICTED TO -
 SCALE 4:1 SHEET 2 OF 3 REV T

CUSTOMER DRAWING

THIS DRAWING IS UNPUBLISHED. RELEASED FOR PUBLICATION 1825058, 1825058
 © COPYRIGHT 1825058 By - ALL RIGHTS RESERVED.

REVISIONS					
P	LTR	DESCRIPTION	DATE	DWN	APVD
-	-	SEE SHEET 1	-	-	-



NO	DESCRIPTION	MATERIAL	DIMENSION	FINISH	REMARKS
1	REEL	SIDE: CARDBOARD CORE: STYLOFOAM	MENTIONED BELOW		
2	EMBOSSSED TAPE	-	MENTIONED BELOW	ANTISTATIC	BLACK
3	TOP COVER TAPE	-	MENTIONED BELOW	ANTISTATIC	TRANSPARENT

4P	$\phi 330.00 \pm 2.10$ [12.992 ± 0.082]	$\phi 100$ [3.940]	24.40 ± 0.00 [.960 ± .790]	30.40 [1.997]
NO OF POSITION	A	N (MIN)	W1	W2 (MAX)

4P	$\phi 1.50 \pm 0.10$ [.059 ± .003]	4.00 ± 0.10 [.157 ± .003]	16.00 ± 0.10 [.629 ± .003]	2.00 ± 0.15 [.078 ± .005]	11.50 ± 0.10 [.453 ± .003]	7.40 ± 0.10 [.291 ± .003]
NO OF POSITION	D1	P0	P1	P2	F	K

4P	24.00 ± 0.30 [.944 ± .011]	12.90 ± 0.10 [.507 ± .003]	1.75 ± 0.10 [.068 ± .003]	0.50 ± 0.05 [.020 ± .001]	12.14 ± 0.50 [.477 ± .020]	$\phi 1.50 \pm 0.10$ [.059 ± .003]
NO OF POSITION	W	B	E	T	L	DO

THIS DRAWING IS A CONTROLLED DOCUMENT. DWN: B.S.VISWESWARA 10FEB05
 CHK: M.SARVER
 APVD: M.SARVER
 PRODUCT SPEC: -
 APPLICATION SPEC: -
 MATERIAL: - FINISH: - WEIGHT: -

STE TE Connectivity

DIP SWITCH, ADE-SMT SERIES

SIZE: A2 CAGE CODE: - DRAWING NO: C=1825058 RESTRICTED TO: -
 SCALE: 4:1 SHEET: 3 OF 3 REV: T

单击下面可查看定价，库存，交付和生命周期等信息

[>>TE Connectivity\(泰科\)](#)