

DO NOT SCALE

DIMENSIONS IN mm

METRIC

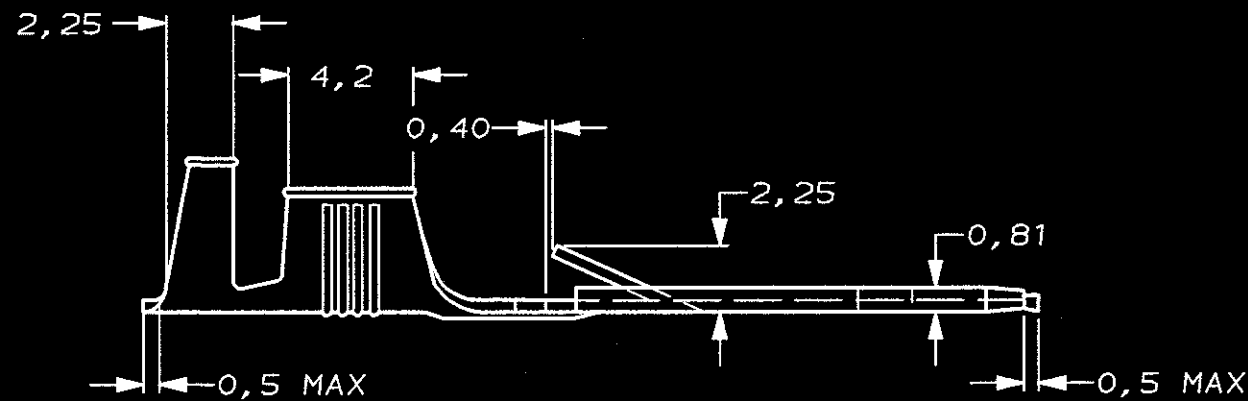
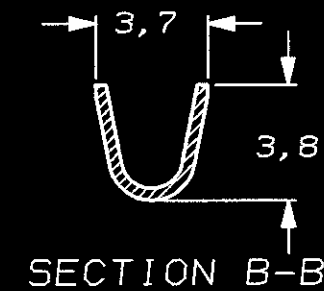
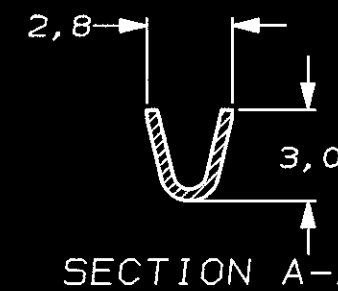
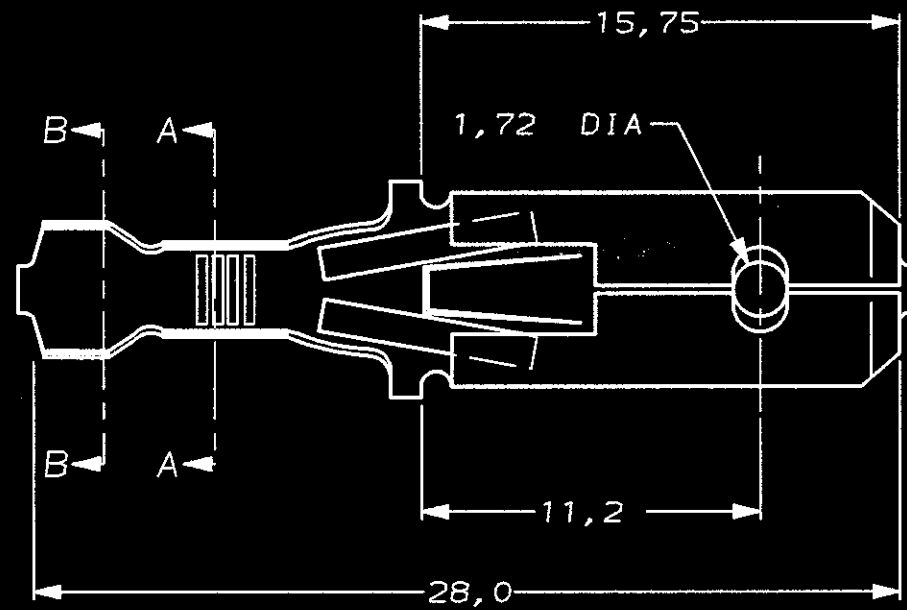
THIRD ANGLE

PROJECTION



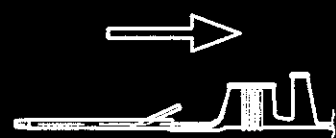
NOTES:

- 1 LOOSE PIECE FROM STRIPNR. 160859.
RESTRICTED FOR VOLVO SWEDEN.
NO AMP HANDTOOLING AVAILABLE.
- 2 NO PREFORMING



WIRE RANGE :
0,5-1,0 mm²
INSULATION RANGE :
1,4-2,3mm DIA.

DIRECTION OFF TOP OF REEL



| | | | |
|---|---------------|-----------|------------|
| ↑ | PRE-TINPLATED | BRASS | 106912-8 |
| ↑ | PRE-TINPLATED | Ph BRONZE | 106912-7 |
| - | - | - | - |
| ↑ | SILVERPLATED | Ph BRONZE | 106912-5 |
| ↑ | TINPLATED | Ph BRONZE | 106912-4 |
| ↑ | UNPLATED | Ph BRONZE | 106912-3 |
| ↑ | TINPLATED | BRASS | 106912-2 |
| ↑ | UNPLATED | BRASS | 106912-1 |
| | PLATING | PLATING | MATERIAL |
| | | | PARTNUMBER |

CUSTOMER DRAWING FOR REFERENCE ONLY
WILL NOT BE UPDATED
© COPYRIGHT 19- BY AMP HOLLAND B.V.
ALL INTERNATIONAL RIGHTS RESERVED. AMP PRODUCTS MAY BE
COVERED BY U.S. AND FOREIGN AND/OR PATENTS PENDING.
THIS DRAWING IS UNPUBLISHED
RELEASED FOR PUBLICATION _____, 19____



| | | | | | |
|-------|-----------------|-------|-----------|----------|------------|
| A | EH-1483-95 | J.Z. | P.B. | 04-12-95 | |
| 0 | EH-0017-94 | DK | PB | 19-01-94 | |
| LTR. | REVISION RECORD | DR. | CHK. | DATE | |
| DR.: | D.KESSLER | CHK.: | P.BEIJNON | APP.: | L.v.SOEST. |
| DATE: | 19-01-94 | DATE: | - | DATE: | - |

| | | | |
|----------|--------|------------------------|---|
| NAME | | .250 SRS FASTIN-ON TAB | |
| DWG. No. | 106912 | REV. LTR. | A |
| SHEET | 1 OF 1 | A3 | |

单击下面可查看定价，库存，交付和生命周期等信息

[>>TE Connectivity\(泰科\)](#)