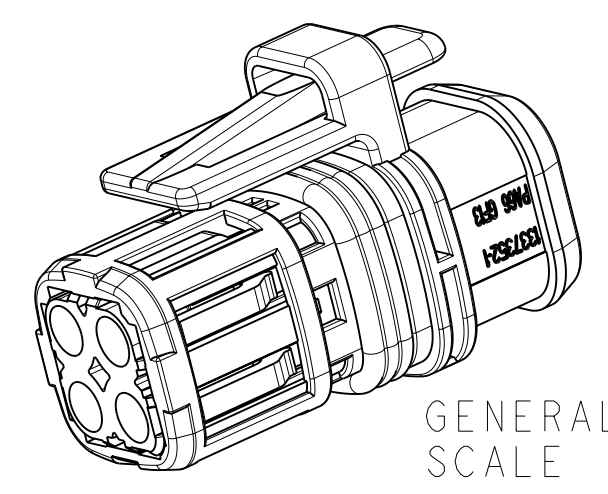
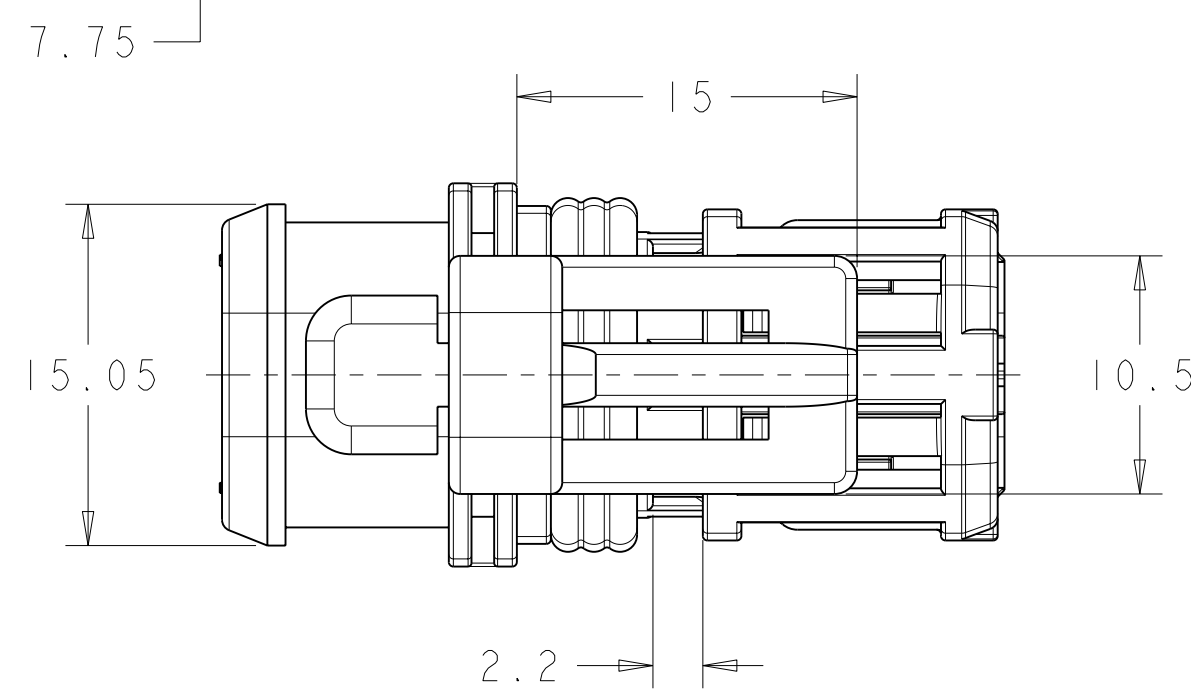
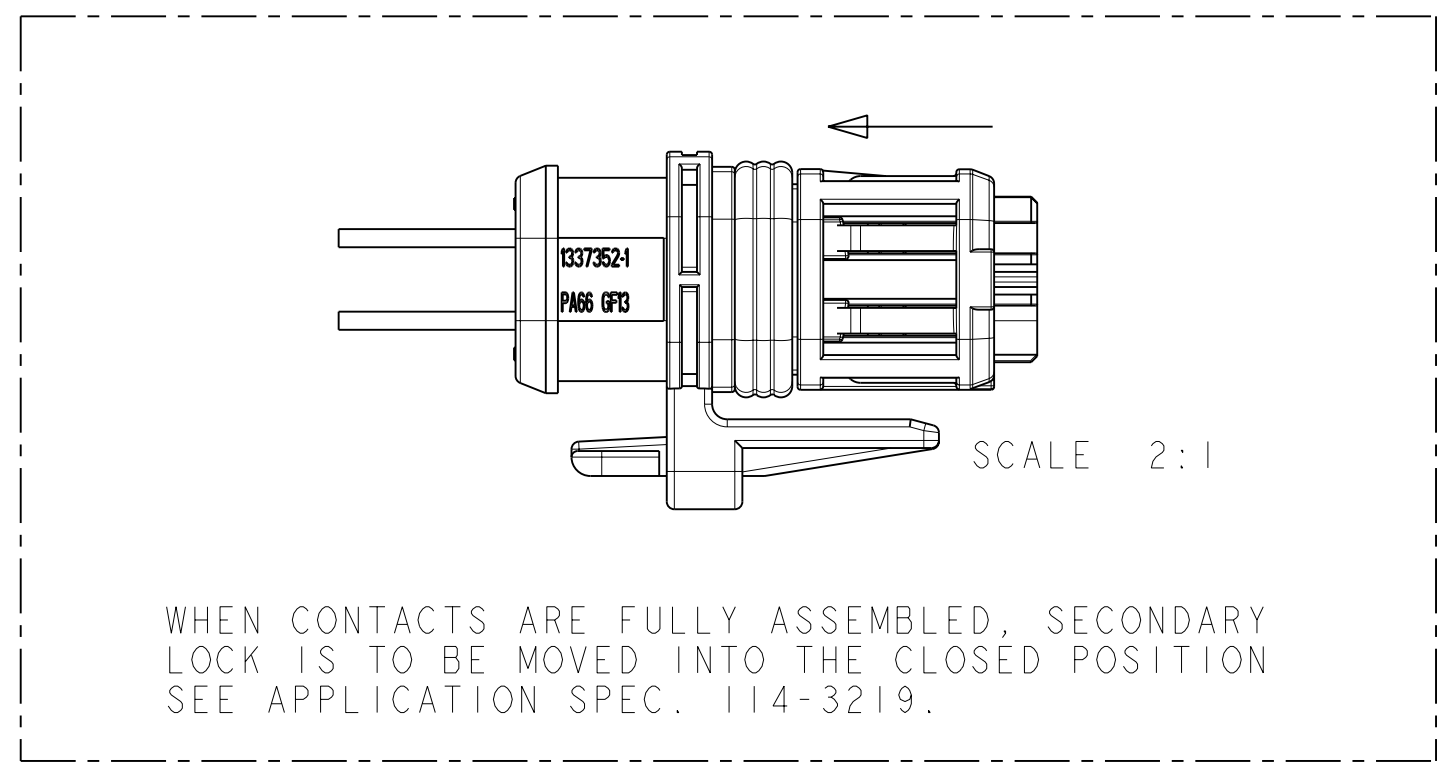
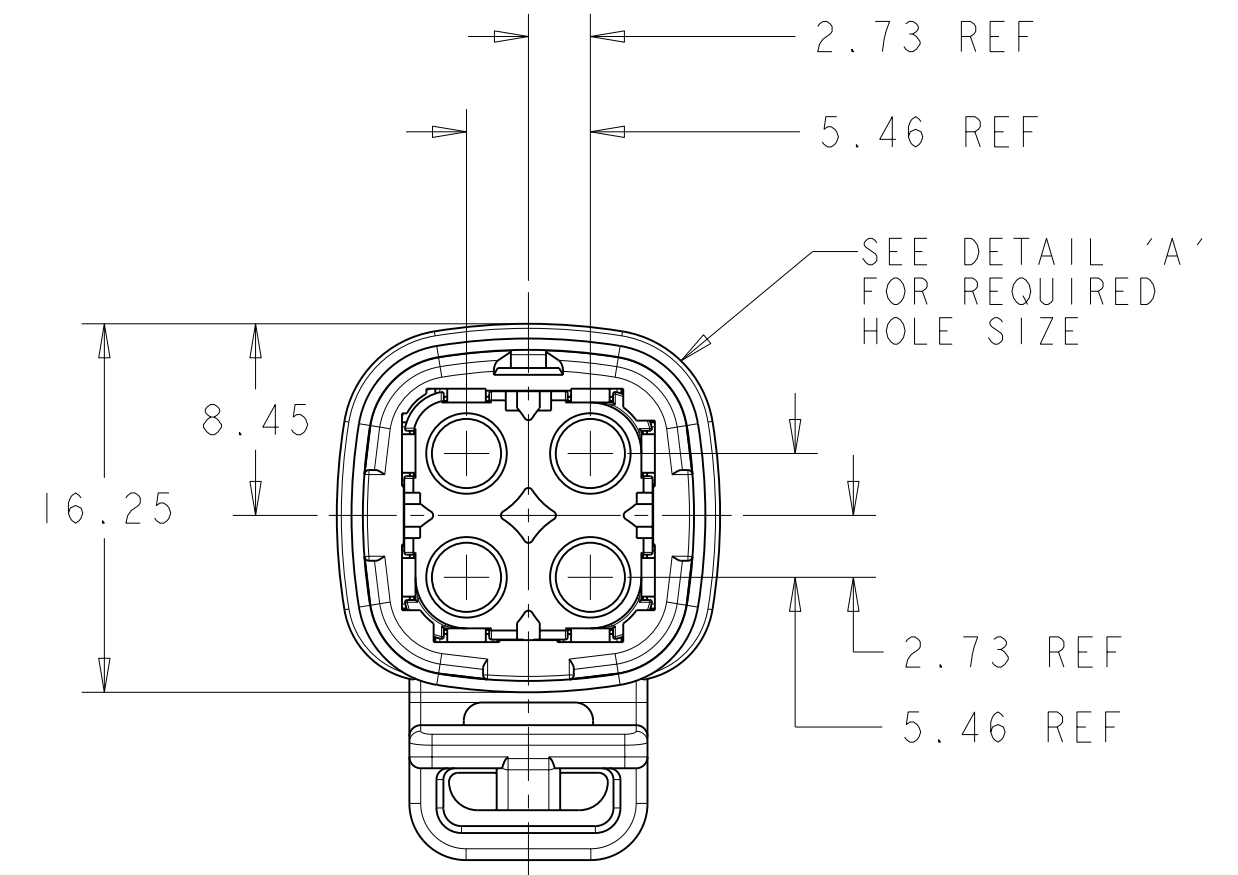
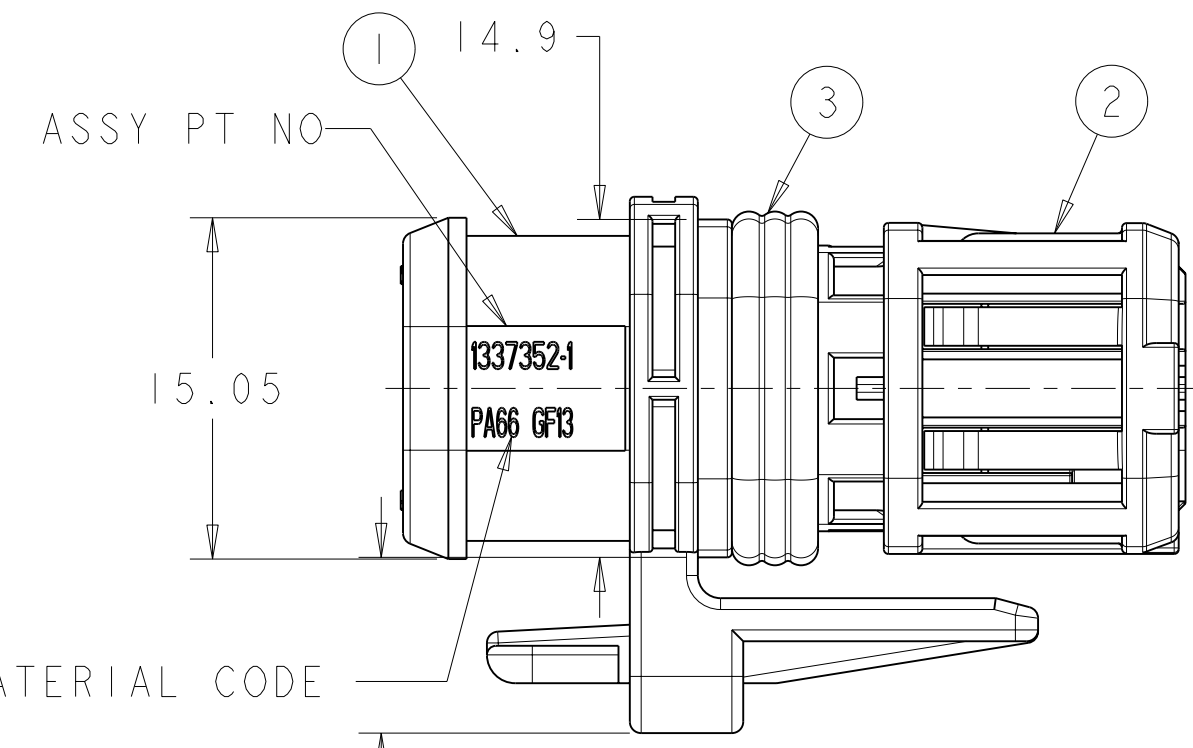
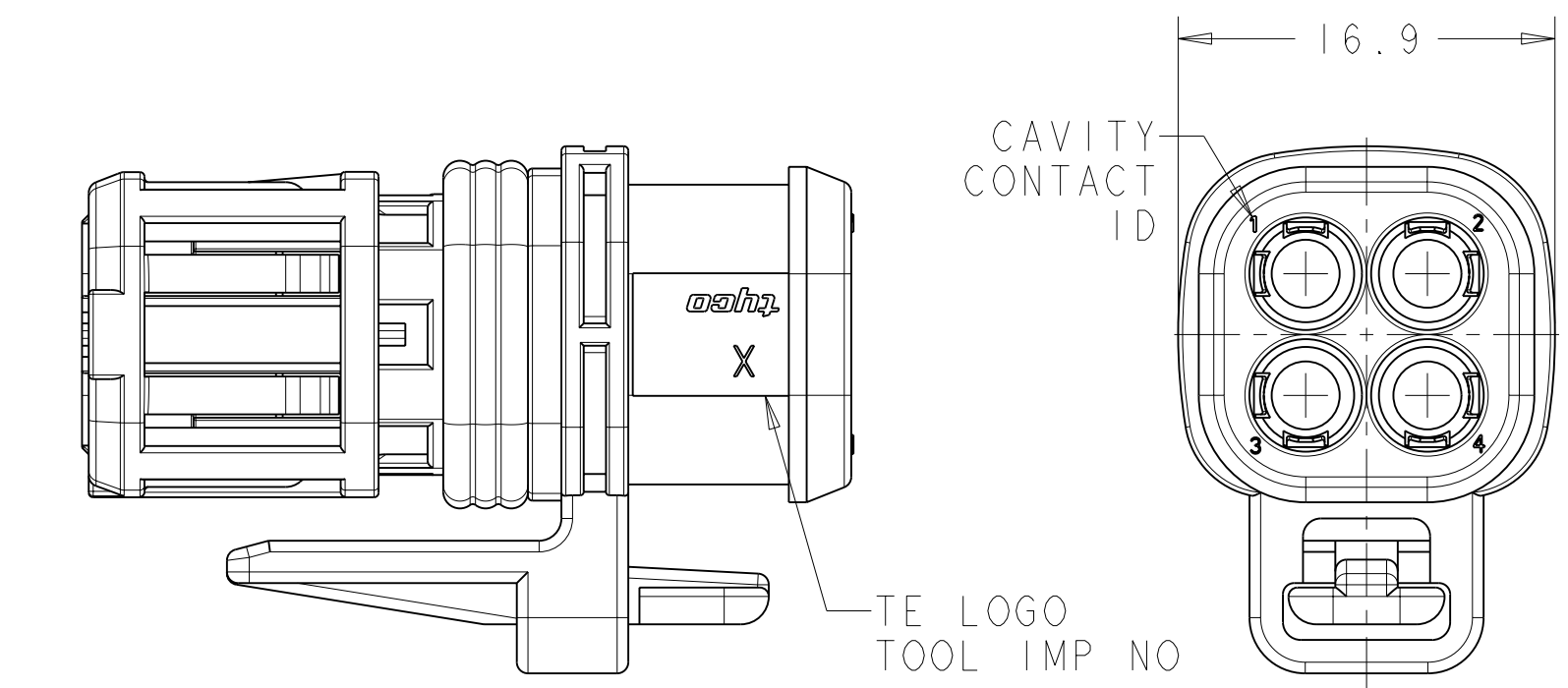
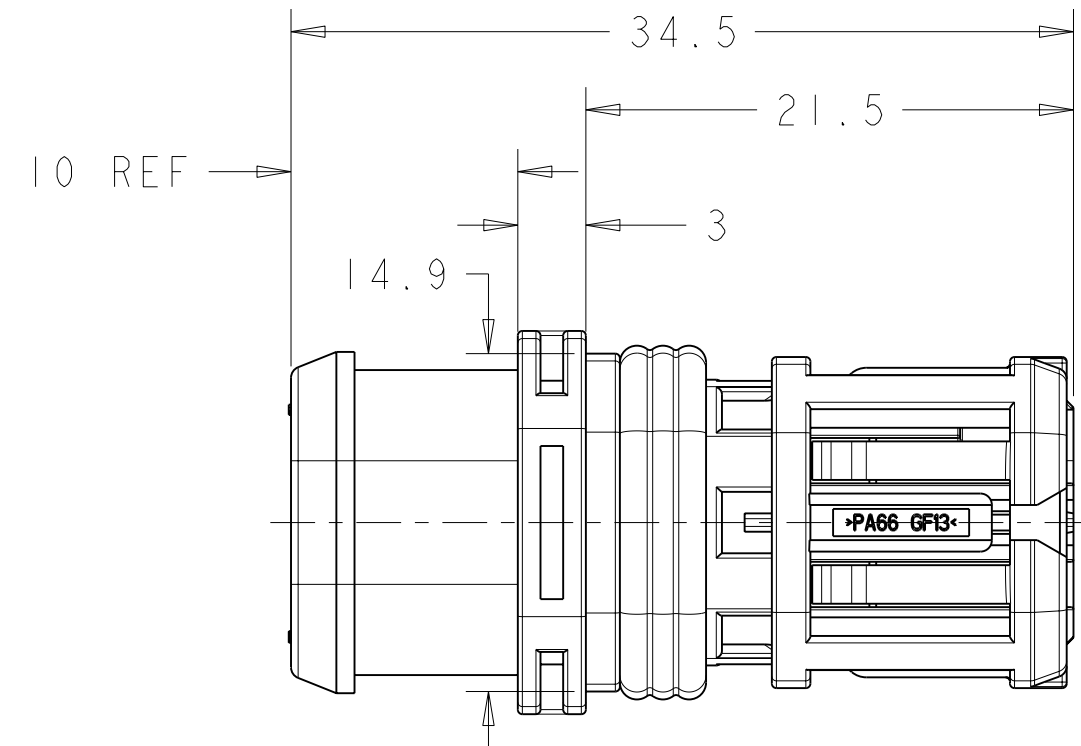
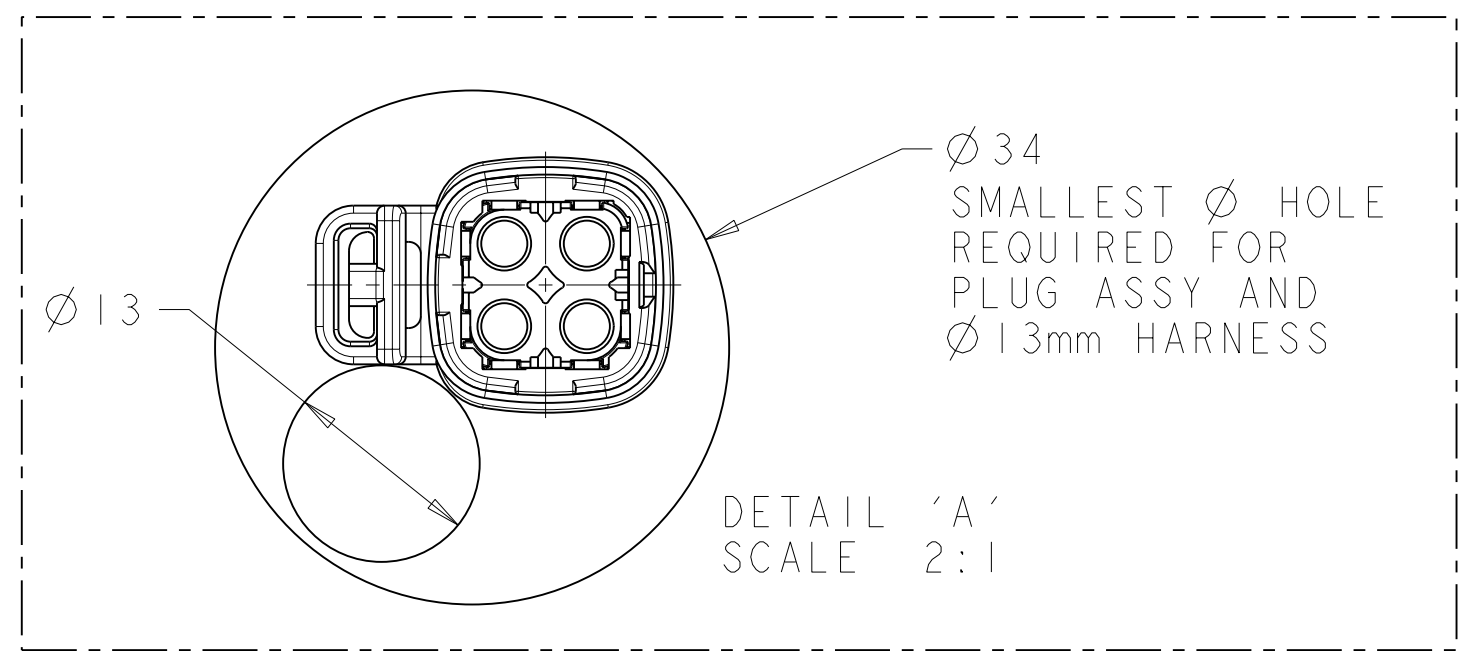


THIS DRAWING IS UNPUBLISHED. RELEASED FOR PUBLICATION 2000  
 © COPYRIGHT 2000 BY TYCO ELECTRONICS CORPORATION. ALL INTERNATIONAL RIGHTS RESERVED.

LOC	DIST	REVISIONS					
E	B	P	LTR	DESCRIPTION	DATE	DWN	APVD
		D		ECR-08-004059	12FEB2008	MJH	RB
		DI		ECR-09-025091	16NOV2009	ABS	MH
		E		ECR-10-026137	21DEC2010	ABS	MH



NOTES:  
 1 FOR USE WITH CONTACT SYSTEM Ø 1.5MM SOCKET:  
 929988-X  
 929989-X  
 929990-X

REFER TO CONTACT APPLICATION SPECIFICATION 114-18040-1 FOR WIRE SIZE & INSULATION DIAMETER SIZE DETAILS.

2 MATING INTERFACE DETAILS: 114-3226

COLOUR	MATERIAL	QTY.	DESCRIPTION	ITEM	ASSEMBLY P/N
GREEN	FLOURO-CARBON VF544-70 (WITH SILICONE COATING)	1	PERIPHERAL SEAL	3	1337352-1
RED	13% G.F. NYLON	1	SEAL RETAINER / SECONDARY LOCK	2	
BLACK	13% G.F. NYLON	1	4-WAY RECEPTALCE CONN. HSG.	1	

<small>THIS DRAWING IS A CONTROLLED DOCUMENT FOR TYCO ELECTRONICS CORPORATION IT IS SUBJECT TO CHANGE AND THE CONTROLLING ENGINEERING ORGANIZATION SHOULD BE CONTACTED FOR THE LATEST REVISION.</small>		DWN ED SCOTT 12SEP2000 CHK R CHALLIS 14SEP2000 APVD M WHELAN 14SEP2000	Tyco Electronics UK Ltd, Stanmore, Middlesex, HA7 4RS.
DIMENSIONS: mm TOLERANCES UNLESS OTHERWISE SPECIFIED: 0 PLC ±0.5 1 PLC ± 2 PLC ± 3 PLC ± 4 PLC ± ANGLES ±0.5 FINISH	PRODUCT SPEC 108-3442 APPLICATION SPEC 114-3219 WEIGHT - CUSTOMER DRAWING	NAME 4-WAY RECEPTACLE PLUG CONNECTOR (DIA 1.5mm CONTACT SYSTEM) SIZE A2 CAGE CODE 00779 DRAWING NO C-1337352	RESTRICTED TO - SCALE 3:1 SHEET 1 OF 1 REV E

单击下面可查看定价，库存，交付和生命周期等信息

[>>TE Connectivity\(泰科\)](#)