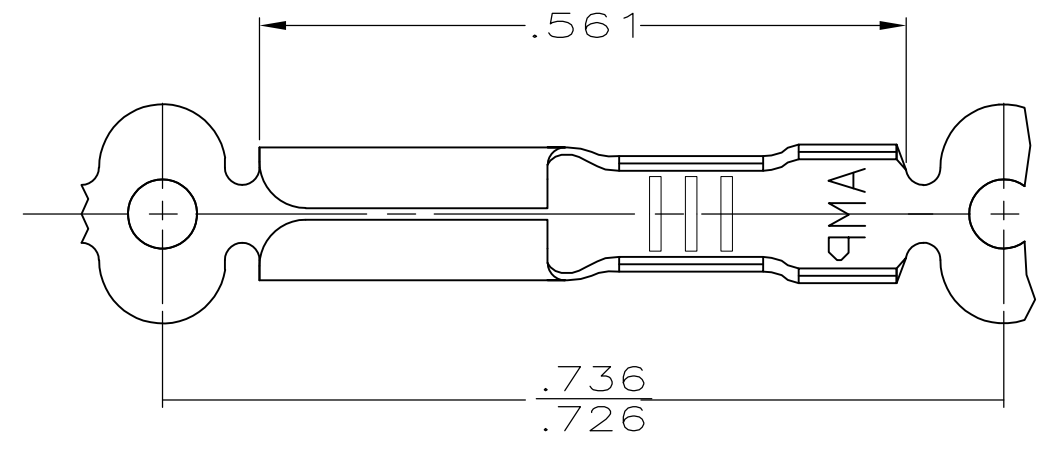
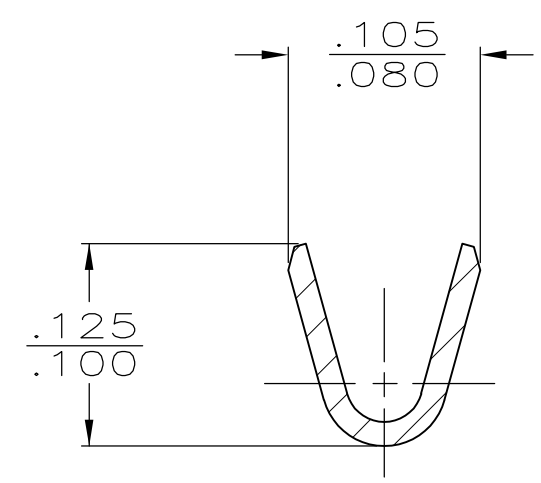
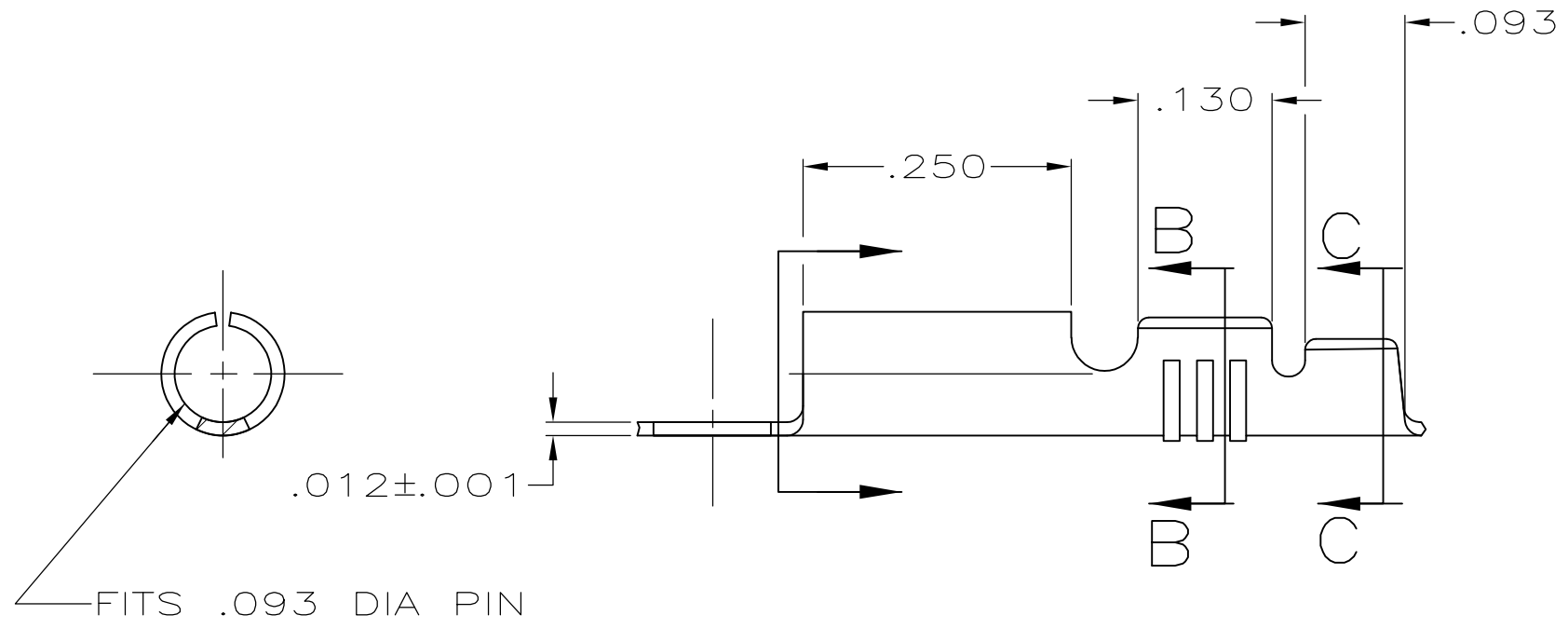


THIS DRAWING IS UNPUBLISHED. RELEASED FOR PUBLICATION
 © COPYRIGHT BY TYCO ELECTRONICS CORPORATION. ALL INTERNATIONAL RIGHTS RESERVED.

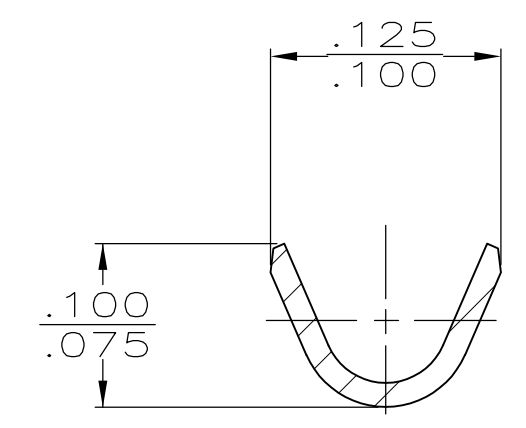
LOC	DIST	REVISIONS			
P	LTR	DESCRIPTION	DATE	DWN	APVD
AF	50	L1	REVISED PER ECR-09-022790	200CT09	HMR DD



- 1 CONTINUOUS STRIP ON REELS.
- 2 WIRE SIZE IS #24-18 AWG
- 3 INSULATION RANGE IS .045-.085 DIA.
- △5 WITH INTERLEAVING PAPER



SECTION B-B
SCALE 10:1



SECTION C-C
SCALE 10:1

FINISH	MATERIAL	PART NO
.000080 MIN TIN PLATE	H04 BRASS	△5 42827-5
-	1/4 HD SST	42827-4
.000080 MIN TIN PLATE	H04 BRASS	42827-2

THIS DRAWING IS A CONTROLLED DOCUMENT.		DWN P FORTNEY 4/18/91	Tyco Electronics Corporation Harrisburg, PA 17105-3608	
DIMENSIONS: INCHES	TOLERANCES UNLESS OTHERWISE SPECIFIED:	CHK JR RUTH 4/18/91	NAME	
	0 PLC ± -	APVD G YETTER 4/29/91	RECEPTACLE, PIN, .093 DIA	
	1 PLC ± -	PRODUCT SPEC	-	
MATERIAL SEE TABLE	FINISH SEE TABLE	APPLICATION SPEC	SIZE	CAGE CODE
		WEIGHT	A3	00779
CUSTOMER DRAWING		DRAWING NO	RESTRICTED TO	
		SCALE	SHEET	REV
		6:1	1 OF 1	L1

单击下面可查看定价，库存，交付和生命周期等信息

[>>TE Connectivity\(泰科\)](#)