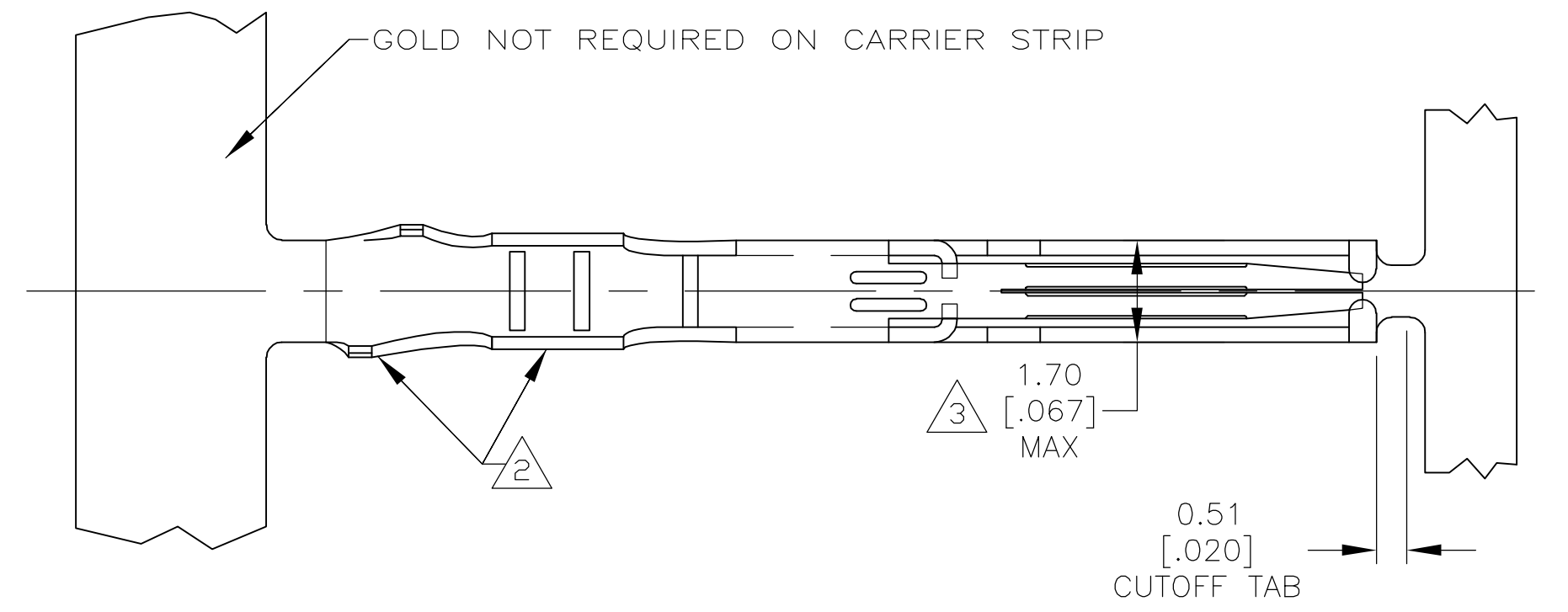
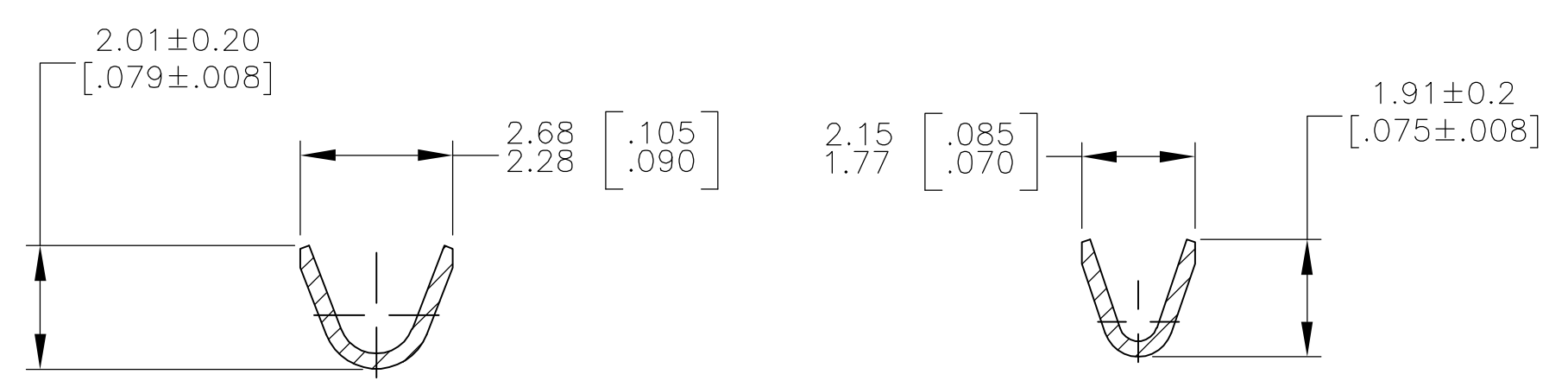
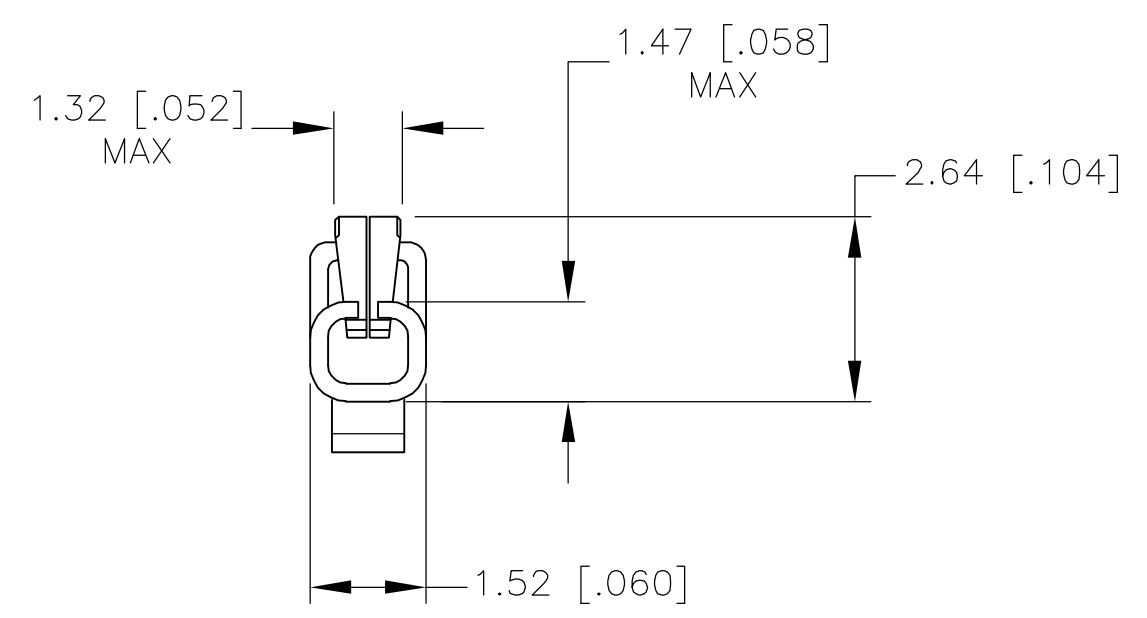
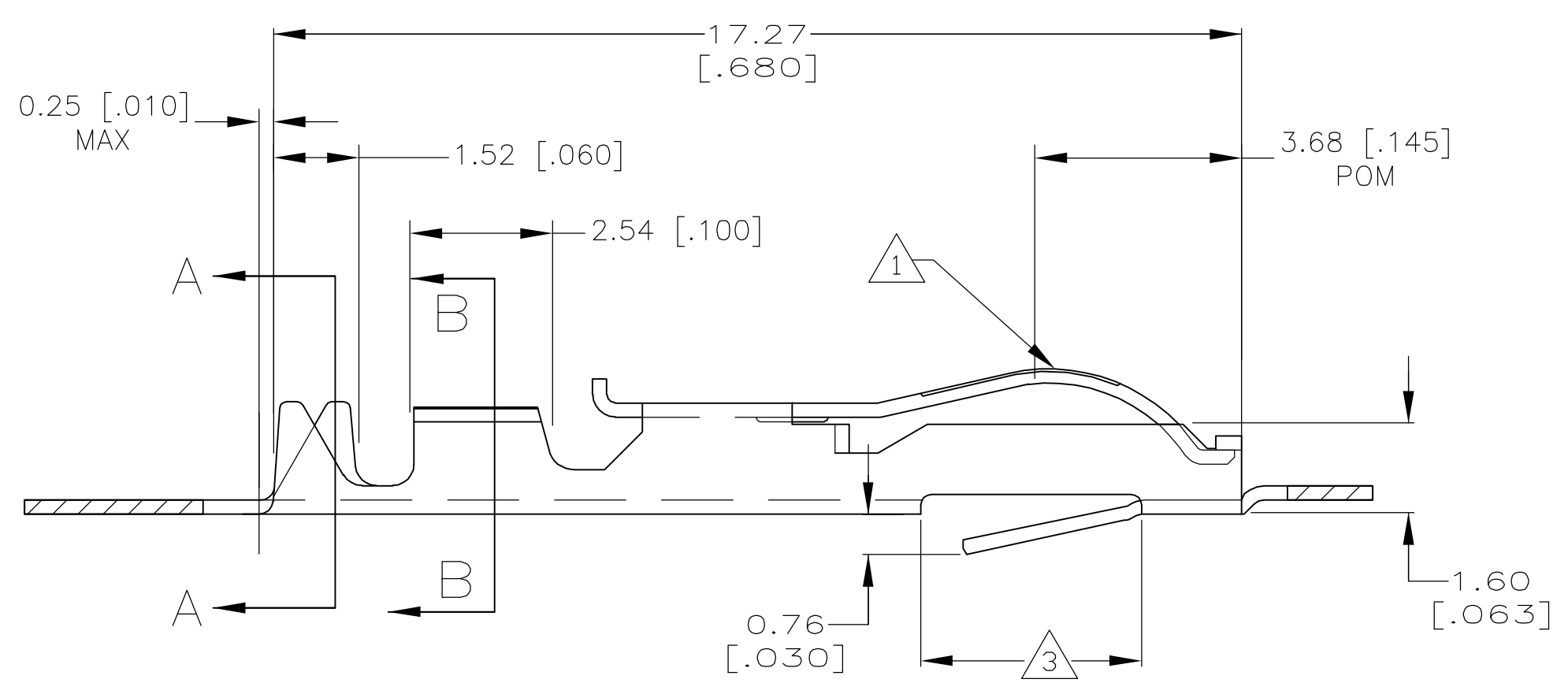


LOC	DIST	REVISIONS					
GP	00	P	LTR	DESCRIPTION	DATE	DWN	APVD
		A		RELEASED PER EC 0512-0017-05	19 AUG 05	AWF	AWF



- 1 0.76 μ m [.000030] MIN GOLD OVER 0.76 μ m [.000030] MIN NICKEL IN CONTACT AREA.
- 2 MATTE TIN IN CRIMP AREA.
- 3 .067 MAX ALLOWED IN LOCKING LANCE AREA.
- 4. REEL QUANTITY = 7000 PIECES.



SECTION A-A
INSULATION RANGE
.060-.048 DIA

SECTION B-B
WIRE RANGE
#20 AWG

5147439-2
PART NUMBER

THIS DRAWING IS A CONTROLLED DOCUMENT.		DWN AL FRANTUM 19 AUG 05	Tyco Electronics Corporation Harrisburg, Pa 17105-3608	
DIMENSIONS: MM [INCHES]		CHK AL FRANTUM 19 AUG 05	NAME CONTACT, CRIMP-SNAP, 20 AWG, TWIN LEAF	
TOLERANCES UNLESS OTHERWISE SPECIFIED:		APVD	PRODUCT SPEC APPLICATION SPEC	
0 PLC	± -	SIZE CAGE CODE DRAWING NO RESTRICTED TO		
1 PLC	± -	A2 00779 C-5147439		
2 PLC	± 0.13 [.005]	WEIGHT -		
3 PLC	± -	CUSTOMER DRAWING		
4 PLC	± -	SCALE 10:1 SHEET 1 OF 1 REV A		
ANGLES	± 2'			
FINISH	1 2			

单击下面可查看定价，库存，交付和生命周期等信息

[>>TE Connectivity\(泰科\)](#)