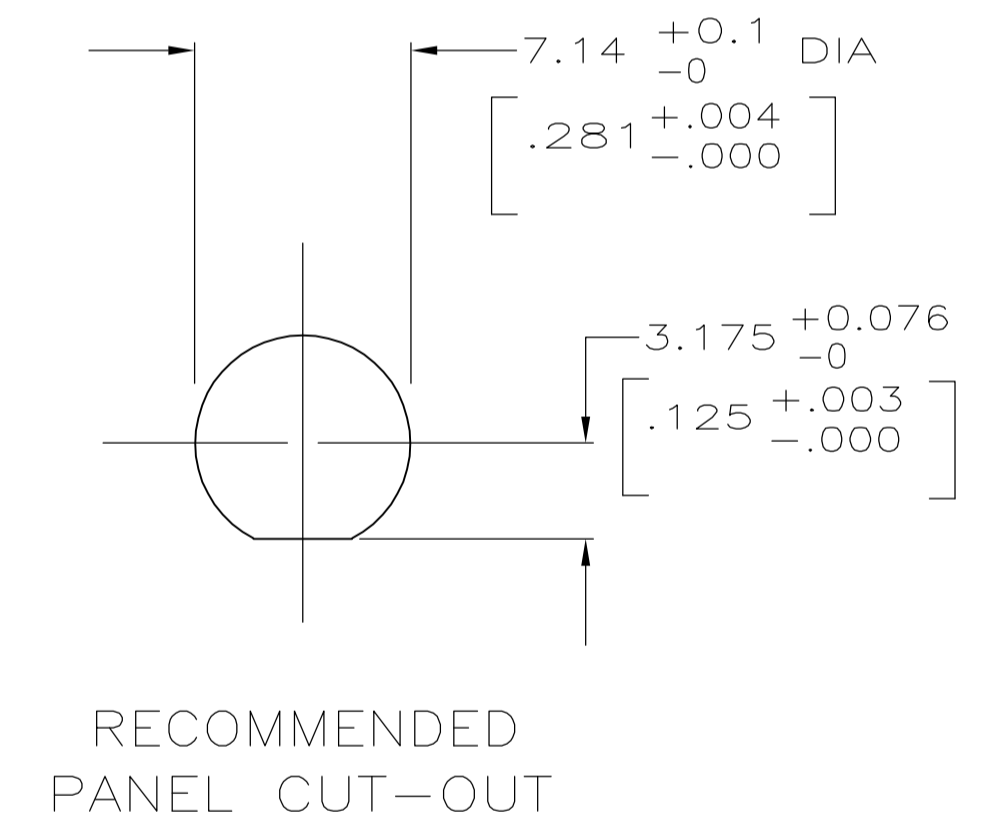
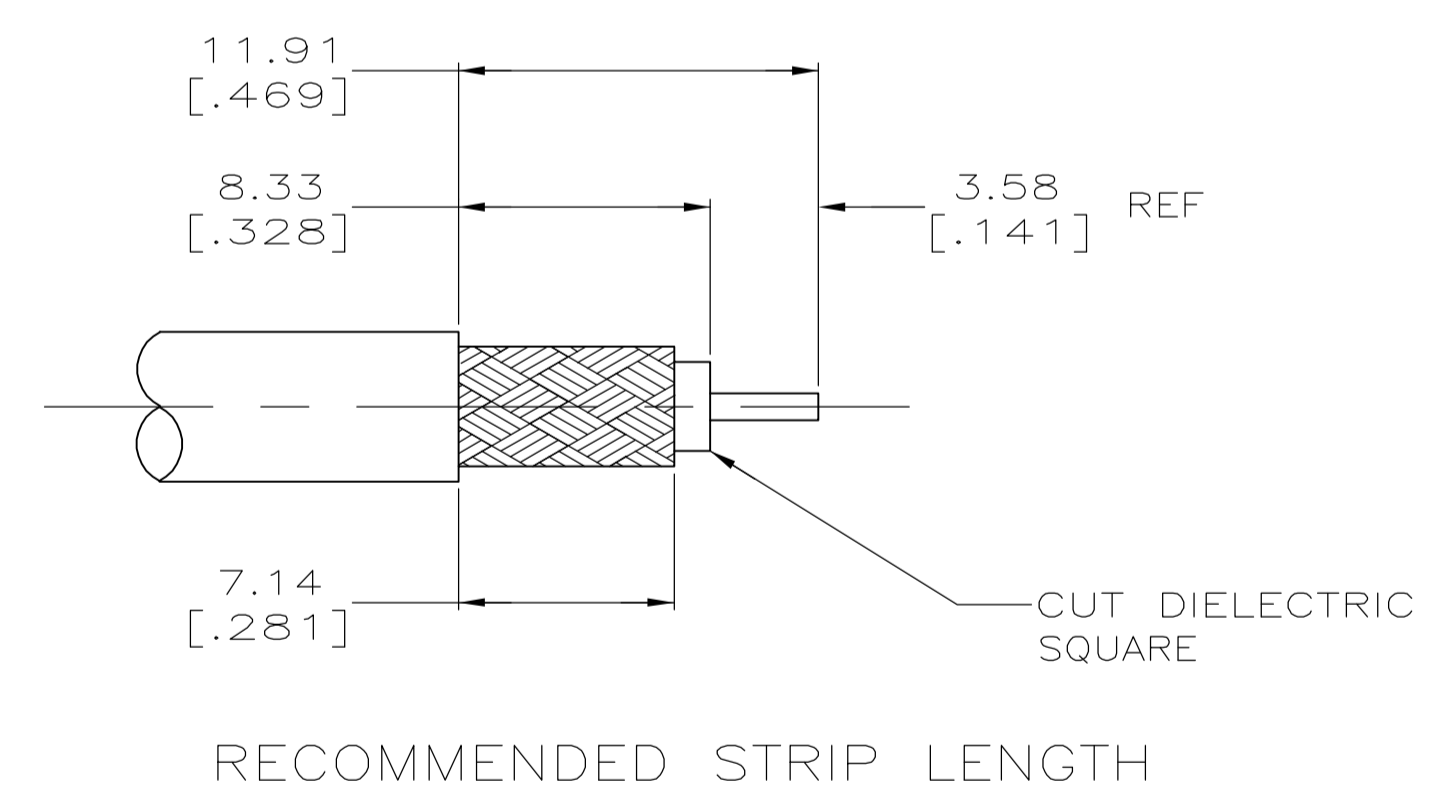


- 1. STEEL STAMP
- 2. PARTS PACKAGED UNASSEMBLED.
- 3. SEE INSTRUCTION SHEET NO. 408-2322.



220061-1	RG-174/U,188A/U & 316/U	2-332004-0	1-22145-3	226315-1	9-50285-0	448180-3	225549-2	5225608-4
HAND TOOL	CABLE SIZE	⑥ JAM NUT QTY=1	⑤ LOCKWASHER QTY=1	④ O-RING QTY=1	③ FERRULE QTY=1	② CONTACT QTY=1	① BULKHEAD JACK ASSY QTY=1	ASSY NO

THIS DRAWING IS A CONTROLLED DOCUMENT.

DIMENSIONS: MM [INCHES]	TOLERANCES UNLESS OTHERWISE SPECIFIED:	0 PLC ± -	1 PLC ± -	2 PLC ± -	3 PLC ± 0.41 [016]	4 PLC ± -	ANGLES ± -	FINISH -
----------------------------	--	-----------	-----------	-----------	--------------------	-----------	------------	----------

METRIC

DRW: A. FERNANDEZ-DUCKS	31JAN2005	Tyco Electronics Corporation Harrisburg, PA 17105-3608
CHK: J. HAVENER	31JAN2005	
APVD: D. CAMELIO	31JAN2005	NAME
PRODUCT SPEC		JACK, BULKHEAD, SERIES SMA
APPLICATION SPEC		RESTRICTED TO
MATERIAL	WEIGHT	SIZE: A1
CUSTOMER DRAWING	SCALE: 4:1	SHEET: 1 OF 1

00779 ©=5225608

单击下面可查看定价，库存，交付和生命周期等信息

[>>TE Connectivity\(泰科\)](#)