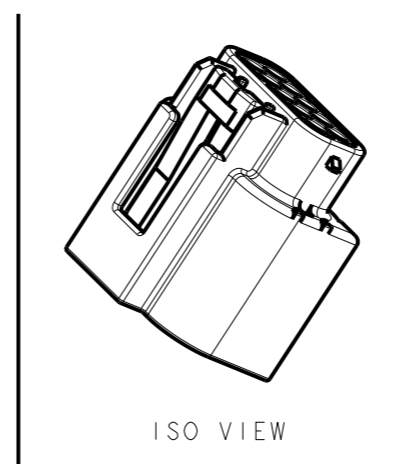
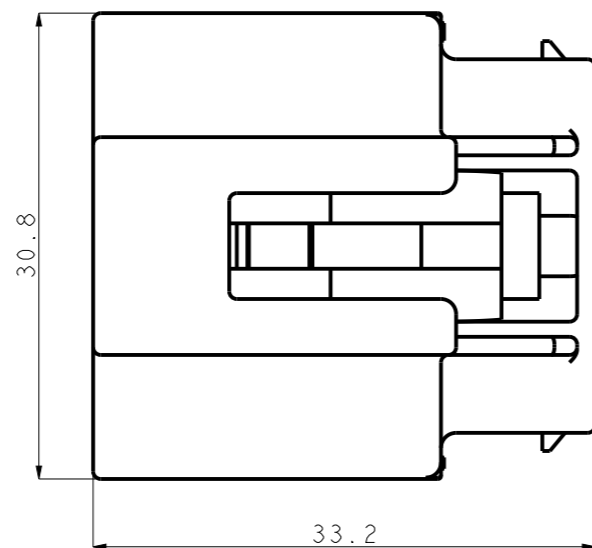
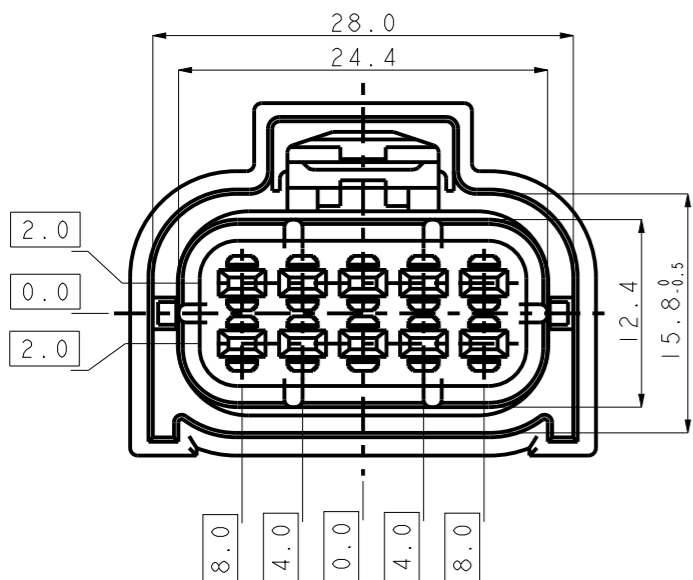


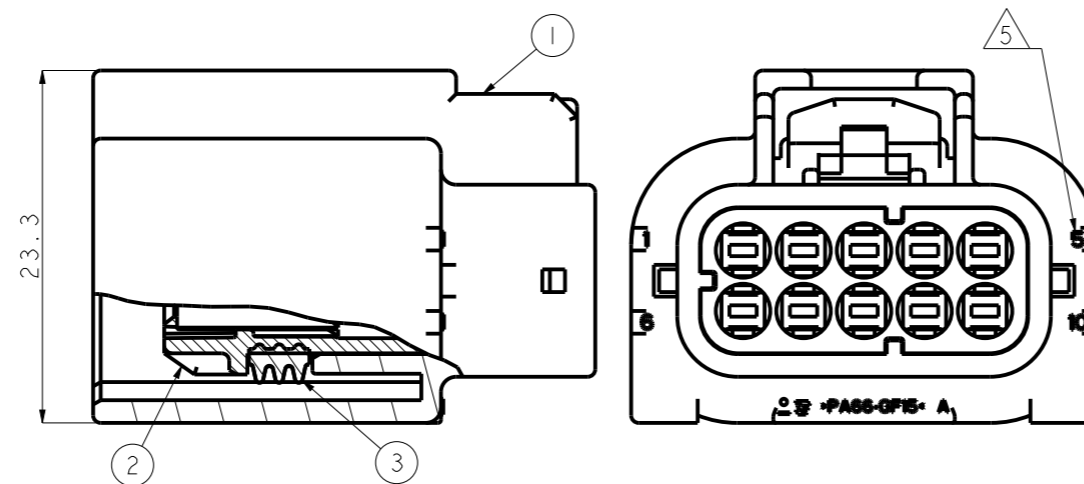
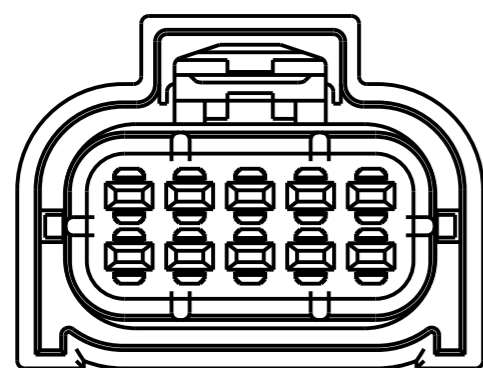
REVISIONS

P	LTR	DESCRIPTION	DATE	DWN	APVD
A	I	REVISED(ECR-12-020605)	16NOV2012	SJ	HG
B	I	REVISED(ECR-16-005149)	15JAN2016	SM	HG
C		REVISED(ECR-18-018371)	14DEC2018	SI	YJ
D		REVISED(ECR-20-015614)	14JUN2021	JY	YJ

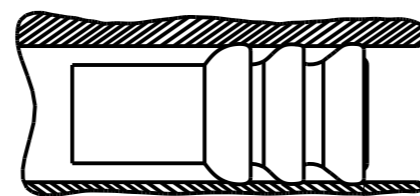
CODING-A(P/N:1897726-2)



CODING-A(P/N:1-1897726-2)

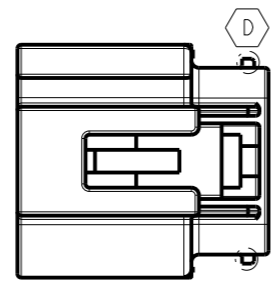
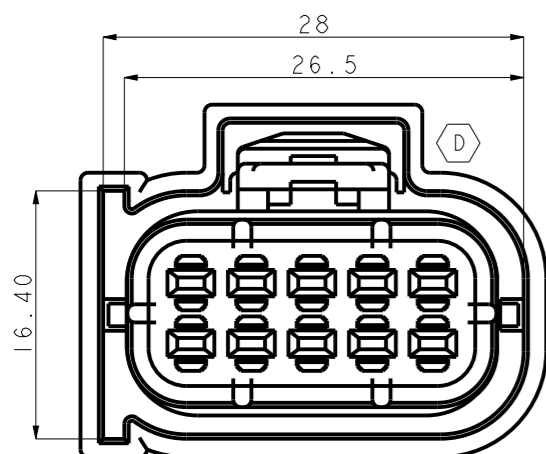


DEAD END PLUG INSERTION DEPTH: 1.5mm<sup>+1.5</sup><sub>0</sub>



SCALE 5:1

CODING-B(P/N:2-1897726-3)



(2-1897726-3)

TABLE 1. APPLICABLE REC. CONTACT.

ASS'Y P/N	REC.	PART NO.	WIRE RANGE(mm <sup>2</sup> )	INSULATION DIA.(mm) (FLR)
1897726-2	MCP 1.5	1241378	0.2-0.35	1.1-1.4
		1241380	0.5-1.0	1.4-2.1
		2188859-1		
1-1897726-2 2-1897726-3	MT-111	1241730	0.3~0.5	1.15~1.6
		1241732	0.5~1.0	1.4~2.0
	MT-11	1703414	1.25	2.2~2.4

TABLE 2. APPLICABLE SINGLE WIRE SEALS

WIRE RANGE(mm <sup>2</sup> )	INSULATION DIA.(mm)	COLOR	PART NO.
0.35-0.50	1.2~1.6	RED	964971-1
0.50-0.75	1.4~1.9	GRAY	963530-1
1.0	1.9~2.1	YELLOW	964972-1
1.25	1.9~2.4	ORANGE	2112323-1

TABLE 3. APPLICABLE SINGLE WIRE SEALS

APPLICABLE ASS'Y P/N	DEAD END PLUG	COLOR	PART NO.
1-1897726-2	DEAD END PLUG	WHITE	963531-1
		NATURAL	1394132-1
2-1897726-3		NATURAL	1394132-1

NOTE :

- GENERAL TOLERANCE : ±0.3, ±3.0°
- APPLICABLE REC. CONTACT : SEE TABLE 1.
- APPLICABLE SINGLE WIRE SEAL : SEE TABLE 2.
- THE MATING TAB HSG P/N : 1897725-2,1-1897725-3
- CURCUIT NO.
- GM RESTRICTED P/N
- DEAD END PLUG INSERTION DEPTH : 1.5±0.5
- APPLICABLE COVER P/N : 2219417-2

NO.	PART NO.	DESCRIPTION	MATERIAL	COLOR	Q'TY
3	1-2005918-6	INNER SEAL	SILICONE	RED ORANGE	1
	2005918-1			GREEN	1
2	2188707-3	CAVITY PLUG HSG	PBT-GF20	GRAY	1
	1897728-2		PA6-GB20-GF10	BLACK	1
1	1-1897727-3	REC. HSG	PA66-GF15	GRAY	1
	1897727-2			BLACK	1

REC. ASS'Y	DESCRIPTION
2-1897726-3	
1-1897726-2	
1897726-2	

THIS DRAWING IS A CONTROLLED DOCUMENT.

DIMENSIONS:	TOLERANCES UNLESS OTHERWISE SPECIFIED:
mm	
	0 PLC ±0.5
	1 PLC ±0.5
	2 PLC ±0.13
	3 PLC ±0.013
	4 PLC ±0.0001
	ANGLES ±
MATERIAL	FINISH
-	-

DWN	SM LEE
CHK	KT LIM
APVD	HG CHO
PRODUCT SPEC	-
APPLICATION SPEC	-
WEIGHT	-
CUSTOMER DRAWING	-

**STE** TE Connectivity

NAME: MCPI.5 SEALED 10P REC. HSG ASS'Y

SIZE: A3 CAGE CODE: 300779 DRAWING NO: C-1897726

RESTRICTED TO: -

SCALE: 1:1 SHEET: 1 OF 1 REV: D

单击下面可查看定价，库存，交付和生命周期等信息

[>>TE Connectivity\(泰科\)](#)