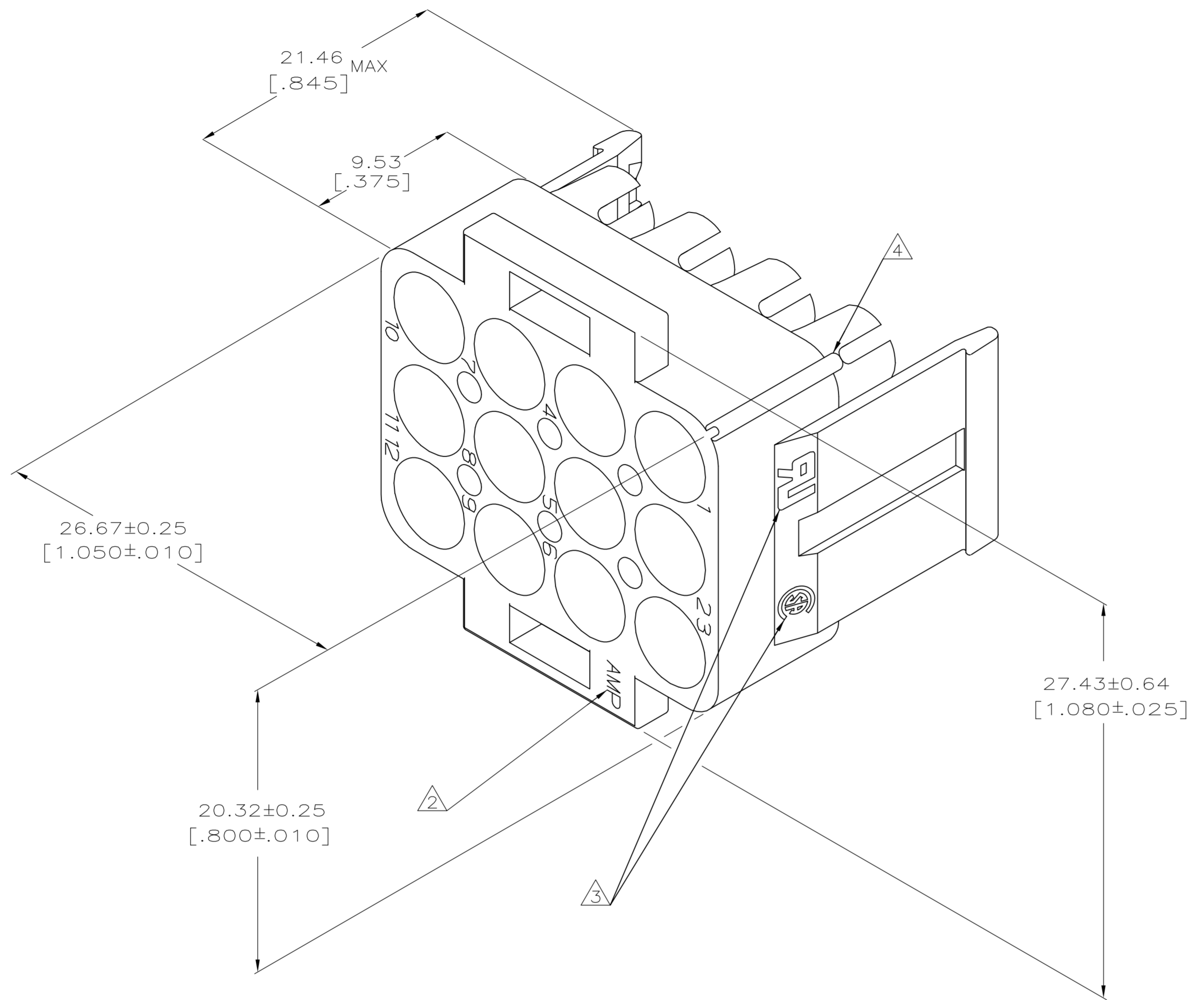


REVISIONS					
P	LTR	DESCRIPTION	DATE	DWN	APVD
E1		ECO-17-009556	03JUL2017	SW	RS



- MUST BE ASSEMBLED WITH CAP FRONT P/N 770055-1 BEFORE MATING. KIT P/N IS 770029-1.
- AMP LOGO LOCATED THIS SURFACE.
- UL AND CSA LOGOS LOCATED THIS SURFACE.
- CIRCUIT NO. 1 IDENTIFICATION RIB LOCATED APPROXIMATELY AS SHOWN.
- LOCATION OF CIRCUIT NUMBERS MOVE BUT WILL REMAIN ADJACENT TO APPROPRIATE CAVITY.
- DIMENSIONS SHOWN REPRESENT PRODUCT IN DRY, AS MOLDED, CONDITION. ADDITIONAL 2% GROWTH DUE TO SUBSEQUENT MOISTURE ABSORPTION MAY OCCUR AND SHOULD BE ACCOUNTED FOR.
- DIMENSIONS IN BRACKETS ARE IN INCHES.

770056-1
PART NUMBER

METRIC

THIS DRAWING IS A CONTROLLED DOCUMENT.		DWN K. SALMON 1-15-92	TE Connectivity	
DIMENSIONS: INCHES		CHK R. SWING 1-15-92	NAME CAP REAR, 12 CIRCUIT, UNIVERSAL MATE-N-LOK	
TOLERANCES UNLESS OTHERWISE SPECIFIED:		APVD -	PRODUCT SPEC -	
0 PL ± -		APPLICATION SPEC -		
1 PL ± -		SIZE A1		
2 PL ± -		CAGE CODE 00779		
3 PL ± 0.13 (.005)		DRAWING NO 770056		
4 PL ± -		RESTRICTED TO -		
ANGLES ± -		WEIGHT 0.000000		
MATERIAL NYLON,UL94V-0,		CUSTOMER DRAWING		
FINISH -		SCALE 5:1		
		SHEET 1 OF 1		
		REV E1		

单击下面可查看定价，库存，交付和生命周期等信息

[>>TE Connectivity\(泰科\)](#)