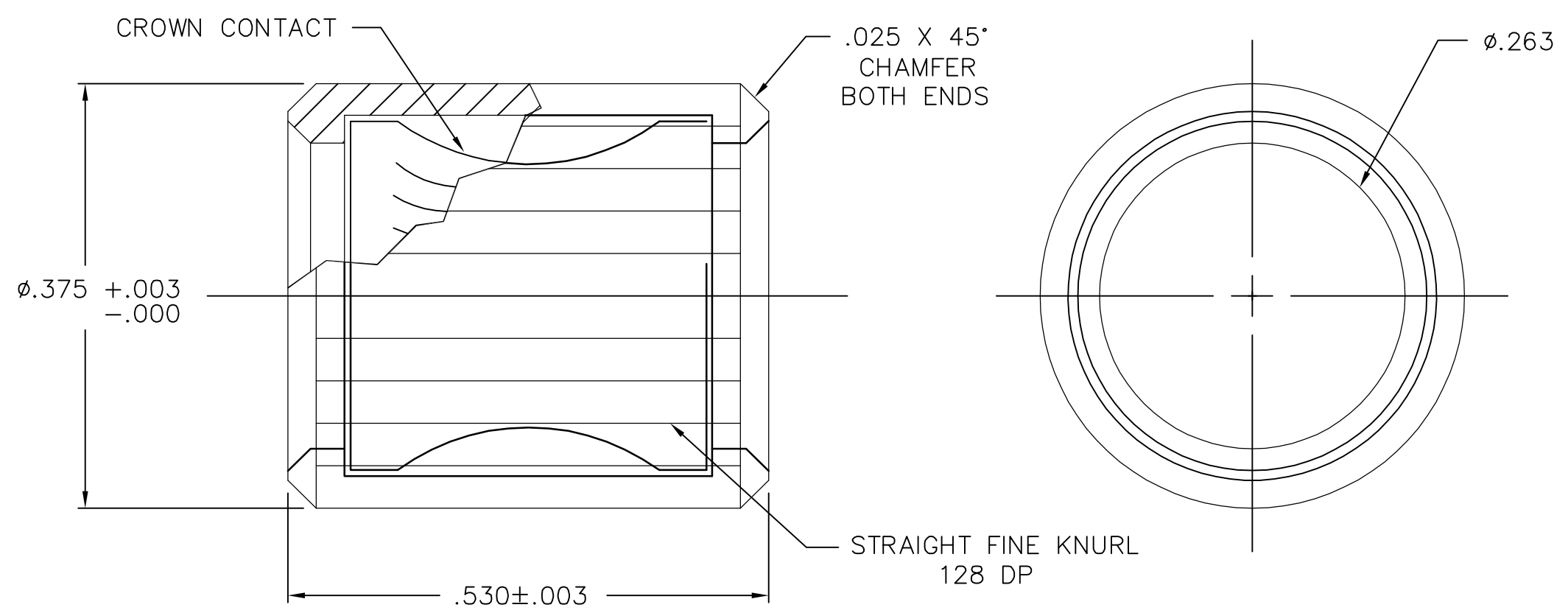


THIS DRAWING IS UNPUBLISHED. RELEASED FOR PUBLICATION  
 © COPYRIGHT - BY TYCO ELECTRONICS CORPORATION. ALL RIGHTS RESERVED.

LOC	DIST	REVISIONS					
GP	00	P	LTR	DESCRIPTION	DATE	DWN	APVD
		A		RELEASED	03APR06	RG	PD



- 5. RECOMMENDED HOLE =  $\phi.374/.371$
- 4. MATERIAL: BODY - BRASS ALLOY  
CROWN - BeCu
- 3. FINISH: BODY - SILVER .000200 MIN THK.  
OVER NICKEL .000040 MIN THK.  
CROWN - GOLD .000030 MIN THK.  
OVER NICKEL .000040 MIN THK.
- 2. ITEMS PROVIDED TO THIS SPECIFICATION ARE TO IDENTIFIED ON THE CONTAINER WITH THE FOLLOWING INFORMATION: PART NUMBER & DATE CODE OF MFR.
- 1. PART NUMBER CHANGES AND/OR DESIGN CHANGES AFFECTING ITEM INTERCHANGEABILITY REQUIRES PRIOR TYCO APPROVAL AND AUTHORIZATION BY REVISION TO THIS DRAWING.

6648171-1  
PART NUMBER



THIS DRAWING IS A CONTROLLED DOCUMENT.		DWN	R.GRZYBOWSKI	04APR2006	Tyco Electronics Corporation Harrisburg, PA 17105-3608		
DIMENSIONS: INCHES		CHK	P.DAMATO	03APR06	NAME		
		APVD	S.FLICKINGER	03APR06	CROWN SOCKET INSERT 3/8 WITH 1/4 CROWN PRESS FIT		
TOLERANCES UNLESS OTHERWISE SPECIFIED:		PRODUCT SPEC		APPLICATION SPEC		RESTRICTED TO	
0 PLC ± - 1 PLC ± - 2 PLC ± .01 3 PLC ± .005 4 PLC ± - ANGLES ± .5		WEIGHT		SCALE		SHEET	
MATERIAL		CUSTOMER DRAWING		A3 00779		1 OF 1	
				C=6648171		REV A	

单击下面可查看定价，库存，交付和生命周期等信息

[>>TE Connectivity\(泰科\)](#)