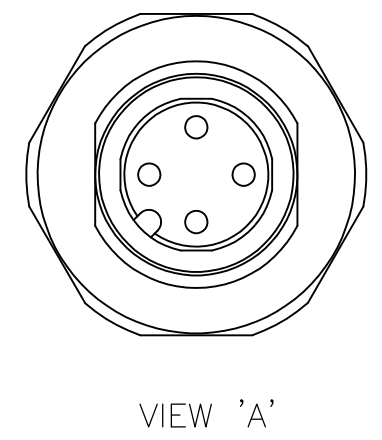
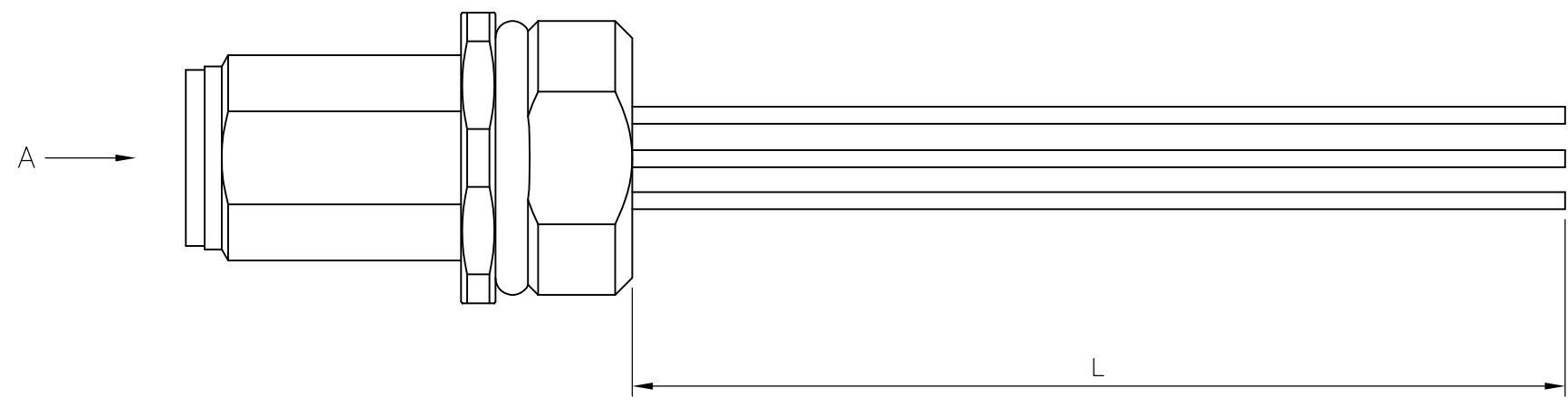


THIS DRAWING IS UNPUBLISHED. RELEASED FOR PUBLICATION  
 © COPYRIGHT - By - ALL RIGHTS RESERVED.

REVISIONS					
P	LTR	DESCRIPTION	DATE	DWN	APVD
	A1	ECR-14-002932	04MAR2014	YC	BvH
	A2	ECR-15-003371	04MAR2015	GSK	BvH
	A3	ECR-16-003945	16MAR2016	GSK	BvH


NOTES:  
 Tolerances cable lengths:  
 0m to 0.5m +30mm  
 0.5m to 1.0m +50mm  
 1.0m to 3.0m +100mm  
 < 3.0m +1.5%



TECHNICAL DATA	
Operating voltage	max. 250 V AC/DC
Operating current per contact	max. 4 A
Locking of ports	Screw thread M12 x 1 mm (recommended torque 0.6 Nm) self-securing
Protection	IP65 and IP67 when plugged and screwed down (EN 60529)

PUR CABLE	
No./diameter of wires	4 x 0.34 mm <sup>2</sup>
Wire isolation	PP (br, wh, bl, bk) (UL/CSA)
C-track properties	
Outer diameter	approx. 3.0 mm
Bend radius (moving)	10 x outer diameter
Temperature range (fixed)	-40...+80 °C

4 pos	0.2mtr	2273051-1	4X22AWG PANELMOUNT 0.2m WIRES	1
	LENGTH"L"	TE PN	DESCRIPTION	ITEM

THIS DRAWING IS A CONTROLLED DOCUMENT.		DWN 16NOV2013 YATHISH.C	 TE Connectivity NAME M12 MALE PNL MLD REAR Mt PG9/M16 PIGT A											
DIMENSIONS: mm		CHK 16NOV2013 B.VELDHOVEN												
TOLERANCES UNLESS OTHERWISE SPECIFIED:		APVD 16NOV2013 A.VAN ZANDVOORT												
<table border="0"> <tr><td>0 PLC</td><td>± -</td></tr> <tr><td>1 PLC</td><td>± -</td></tr> <tr><td>2 PLC</td><td>± -</td></tr> <tr><td>3 PLC</td><td>± -</td></tr> <tr><td>4 PLC</td><td>± -</td></tr> <tr><td>ANGLES</td><td>± -</td></tr> </table>		0 PLC				± -	1 PLC	± -	2 PLC	± -	3 PLC	± -	4 PLC	± -
0 PLC	± -													
1 PLC	± -													
2 PLC	± -													
3 PLC	± -													
4 PLC	± -													
ANGLES	± -													
MATERIAL		FINISH	APPLICATION SPEC 114-32127	SIZE A3	CAGE CODE 00779	DRAWING NO C-2273051	RESTRICTED TO -							
CUSTOMER DRAWING			WEIGHT	SCALE NTS	SHEET 1 OF 1	REV A3								

单击下面可查看定价，库存，交付和生命周期等信息

[>>TE Connectivity\(泰科\)](#)