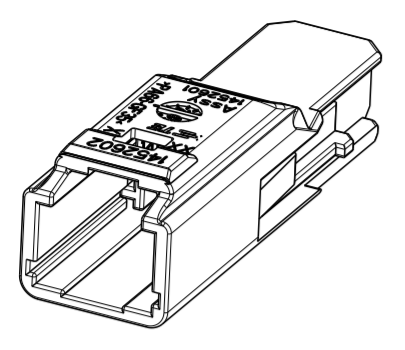
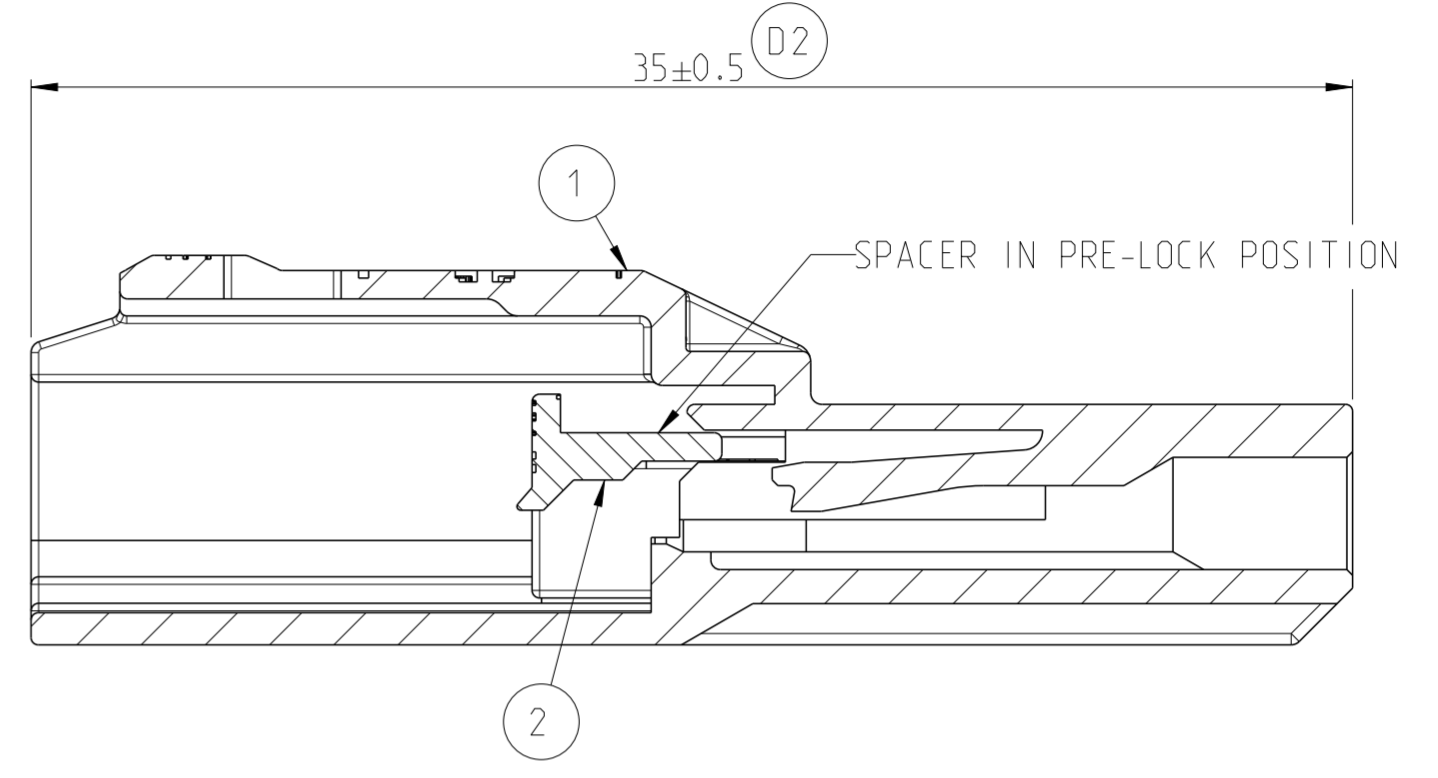
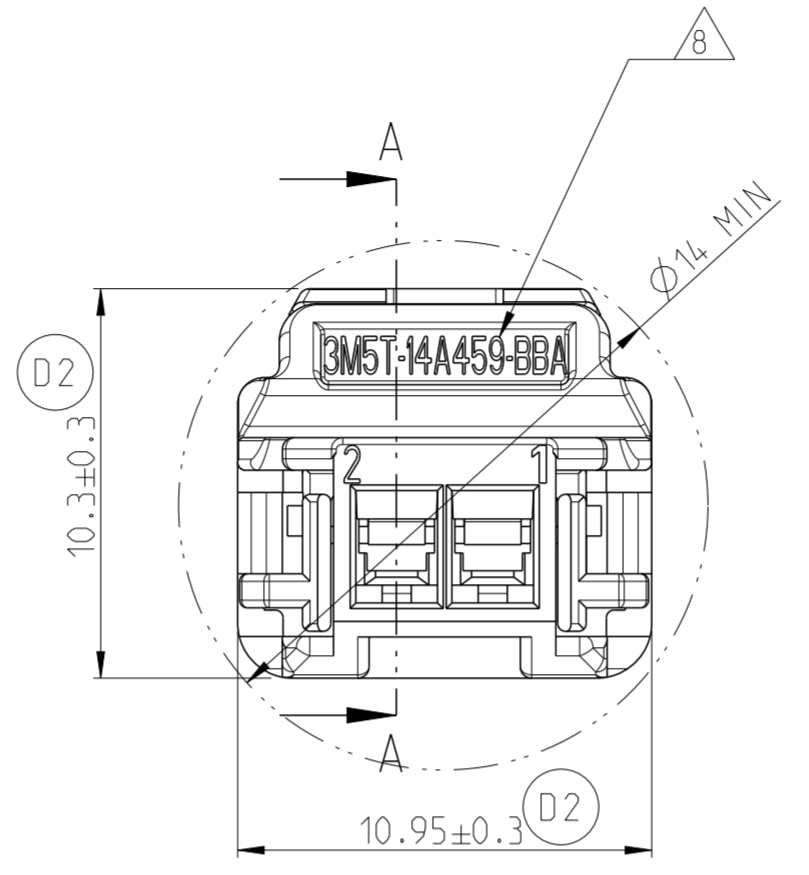
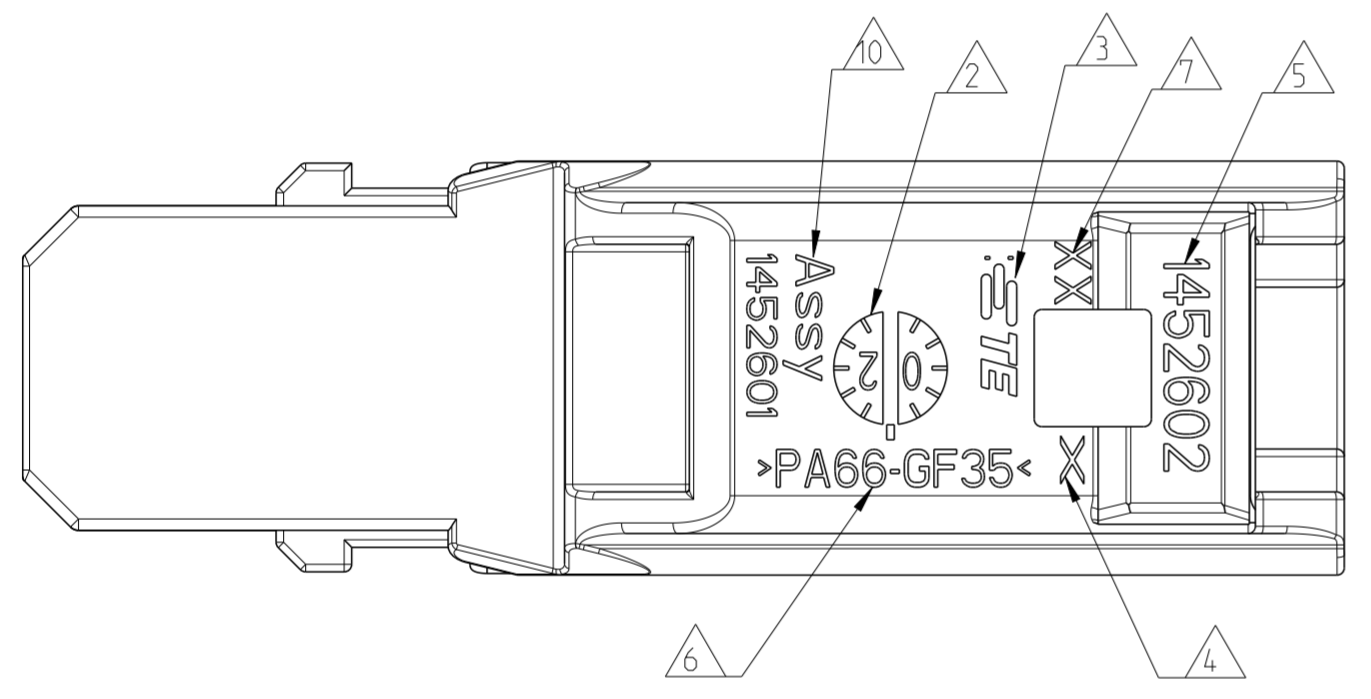
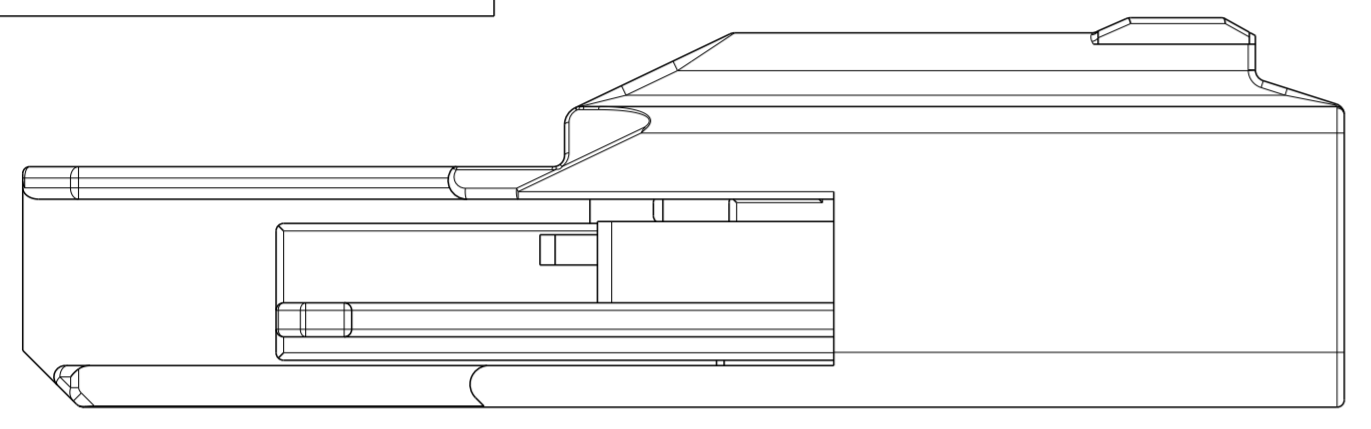


THIS DRAWING IS UNPUBLISHED. RELEASED FOR PUBLICATION 2002
 © COPYRIGHT 2002 BY - ALL RIGHTS RESERVED.

A-A		REVISIONS			
P	LTR	DESCRIPTION	DATE	DWN	APVD
D		SEE ECR-07-000103	04 JAN 2007	HM	GS
D1		SEE ECR-17-016175	02 NOV 2017	KC	PT
D2		SEE ECR-19-001827	04 FEB 2019	KC	PT



SCALE 2:1

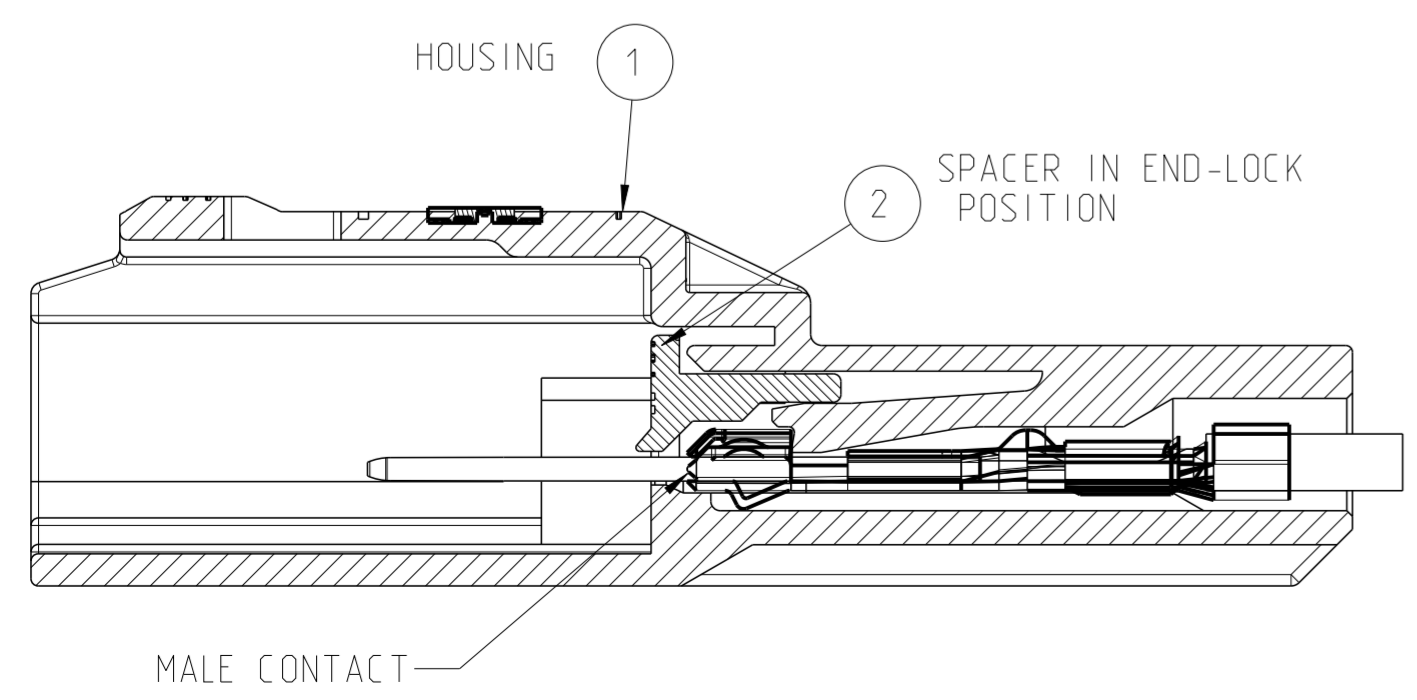


NOTES:
Bemerkungen:

- 1 DELIVERY CONDITION: SPACER IN PRE-INSTALLED POSITION
Lieferbedingungen: Spacer in Vorraststellung
- 2 PRODUCTION-DATE HOUSING
Produktionsdatum Gehäuse
- 3 TYCO-LOGO
Tyco-Logo
- 4 CAVITY MARKING
Nestmarkierung
- 5 TYCO-PART NUMBER HOUSING
Tyco-Teile Nummer Gehäuse
- 6 MATERIAL IDENTIFICATION
Werkstoffkennzeichnung
- 7 PRODUCT REVISION LEVEL HOUSING
Gehäuse-Änderungsindex
- 8 TYCO-ASSEMBLY NUMBER
Tyco-Assemblage-Nummer
- 9 BULK PACKAGE
Verpackung: Schuettgut
- 10 TE-ASSY NO:
TE-Assy Nr.:

THE CONTACT IS NOT A PART OF THE DELIVERY ASSY.

APPLICABLE MALE-CONTACTS tyco-PN
3-1419158-1
1-1419158-6
2-1419158-3
2-1419158-5



ASSY PART NO	ASSY. REV.	QTY REQD PER ASSY	PART NO	DESCRIPTION	MATERIAL	COLOUR	ITEM NO
0-1452601-1	D	1x	0-1452603-1	SPACER	PBT-GF30	RED	2
		1x	0-1452602-1	MALE HOUSING	PA66-GF35	Black	1
REVISION OF EACH ASSY NO (WHEN BLANK, USE DWG REVISION)							
PARTS LIST							

THIS DRAWING IS A CONTROLLED DOCUMENT.		DWN K.ROTH 21 JUN 2002	TE Connectivity NAME 1X2 POS. GET MALE HOUSING ASSEMBLY UNSEALED			
DIMENSIONS: mm		CHK G.STEINBACH 10 JUL 2002				
TOLERANCES UNLESS OTHERWISE SPECIFIED:		APVD G.MUMPER 01 AUG 2002				
0 PLC ± 1 PLC ± 2 PLC ± 3 PLC ± 4 PLC ± ANGLES ±° FINISH -		PRODUCT SPEC -	SIZE A2	CAGE CODE 100779	DRAWING NO C-1452601	RESTRICTED TO
MATERIAL -		WEIGHT -	SCALE 5:1		SHEET 1 OF 1	REV 02
		RESTRICTED CUSTOMER				

单击下面可查看定价，库存，交付和生命周期等信息

[>>TE Connectivity\(泰科\)](#)