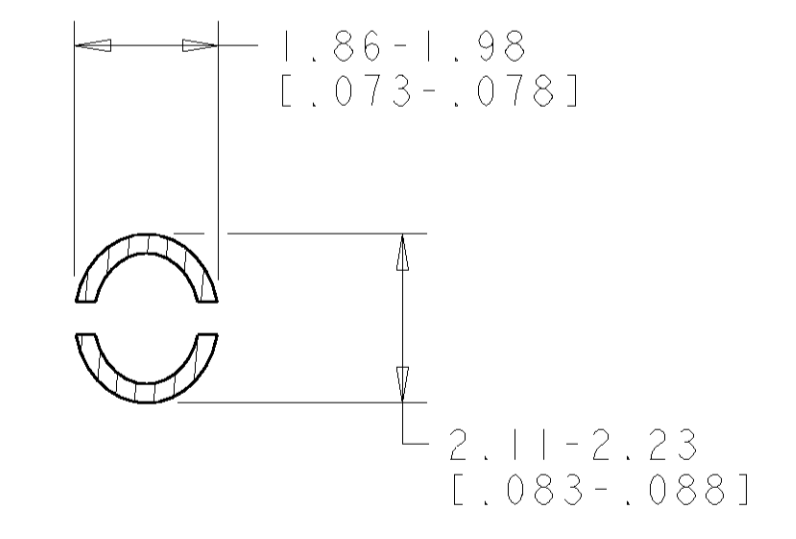
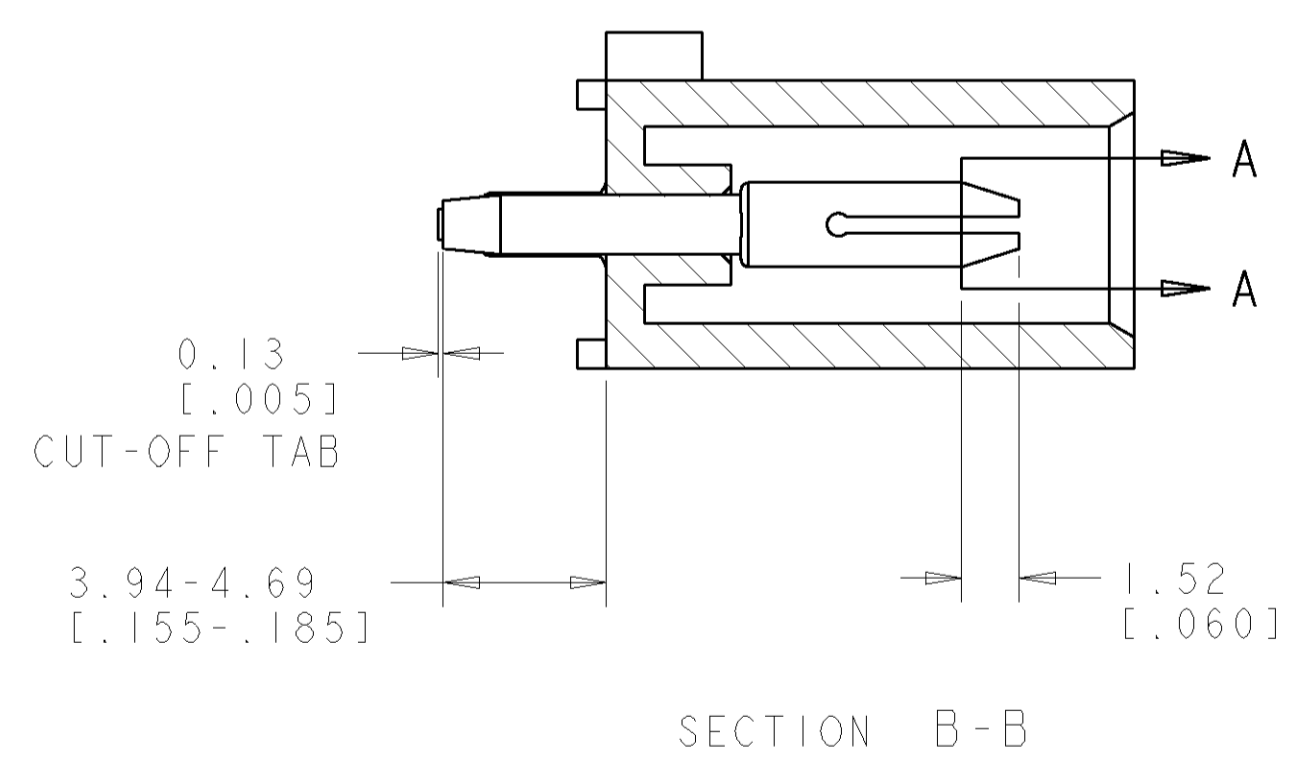
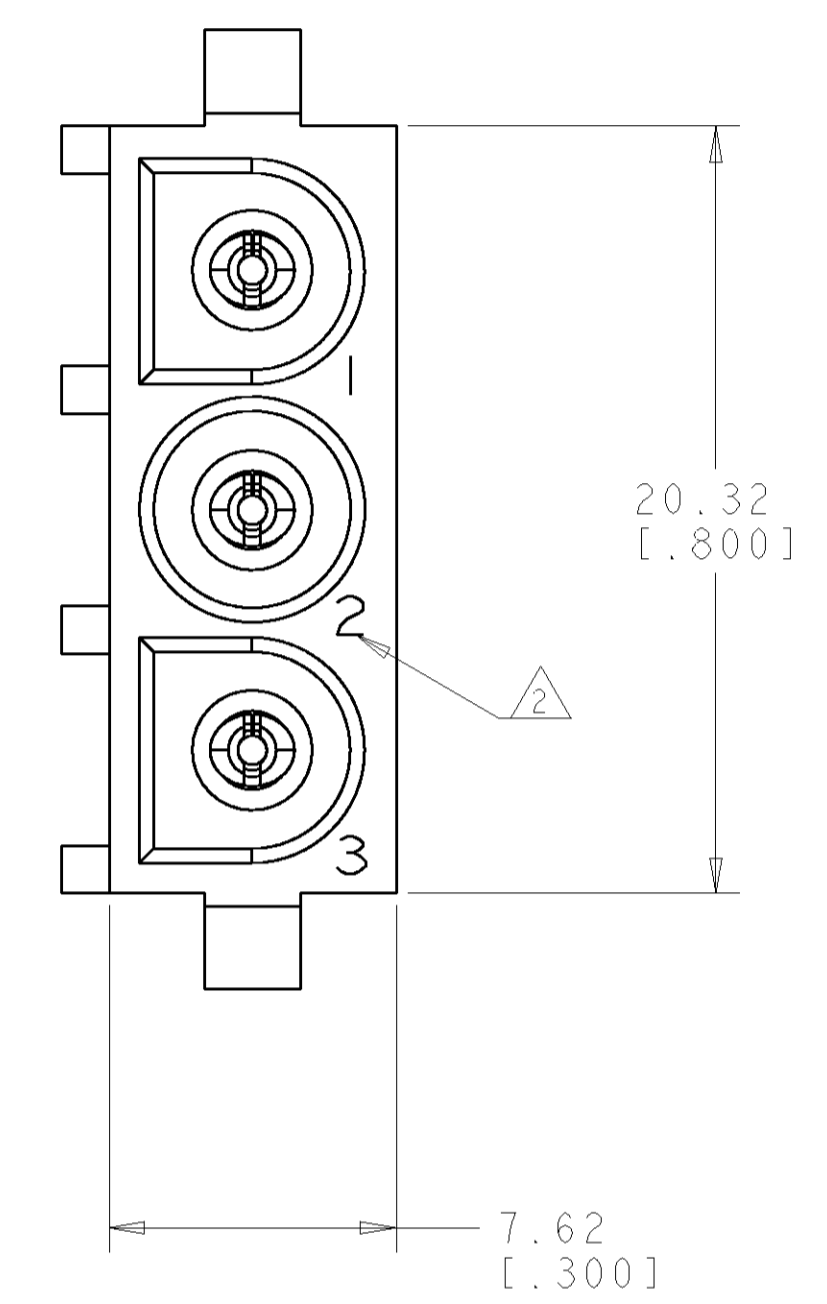
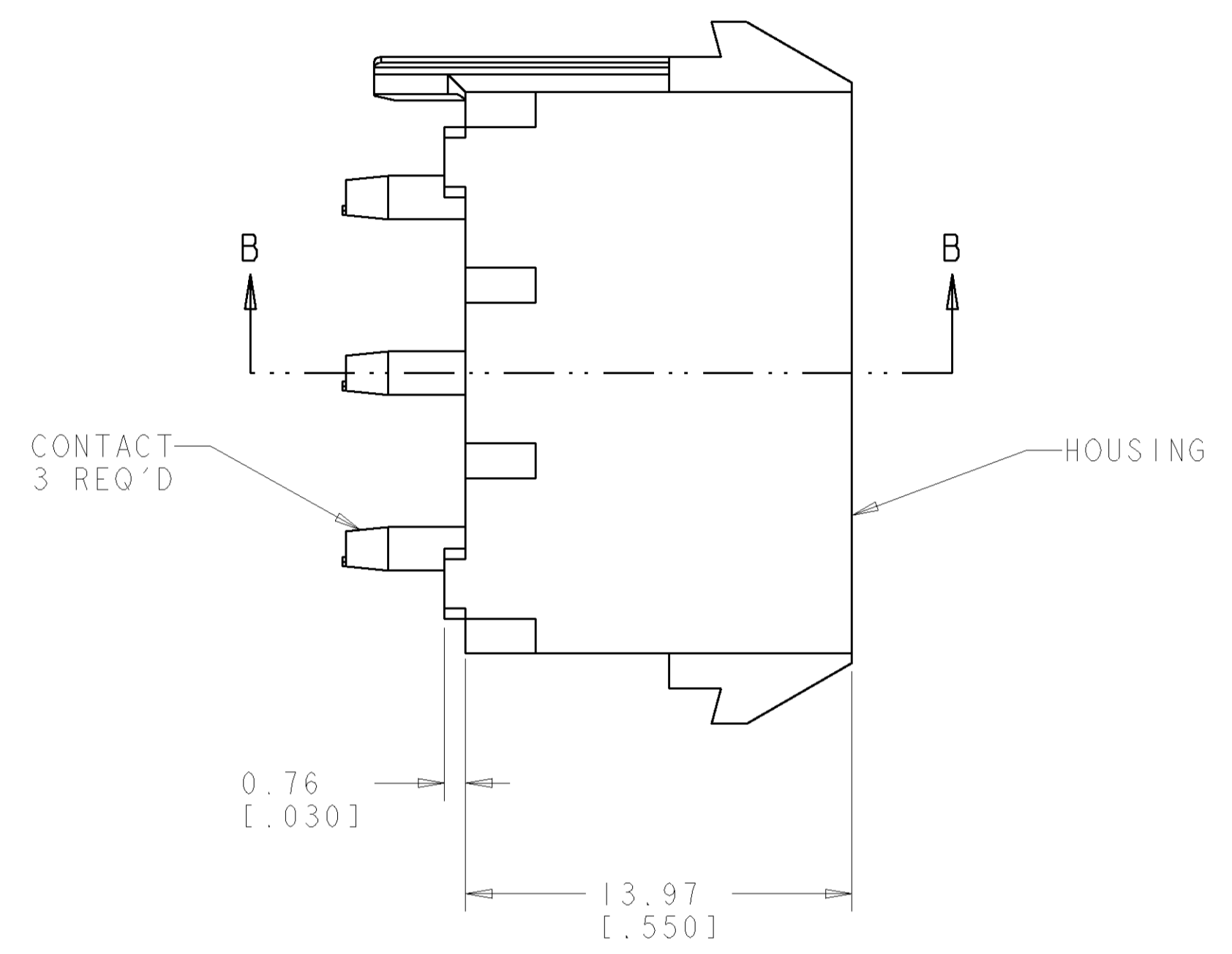
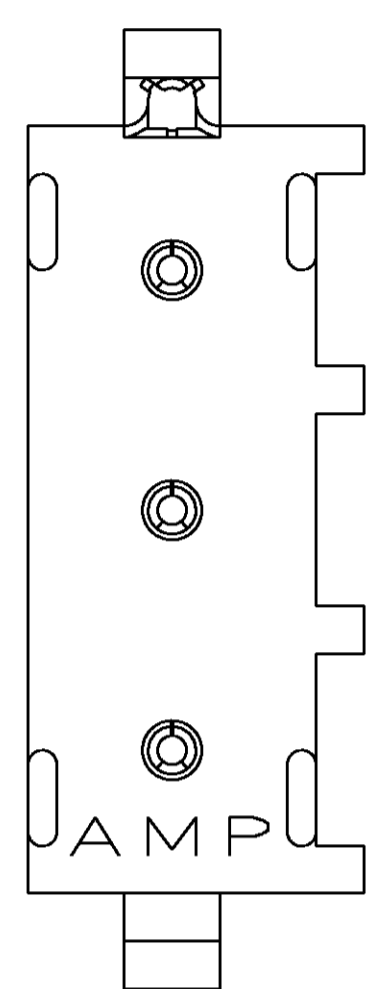
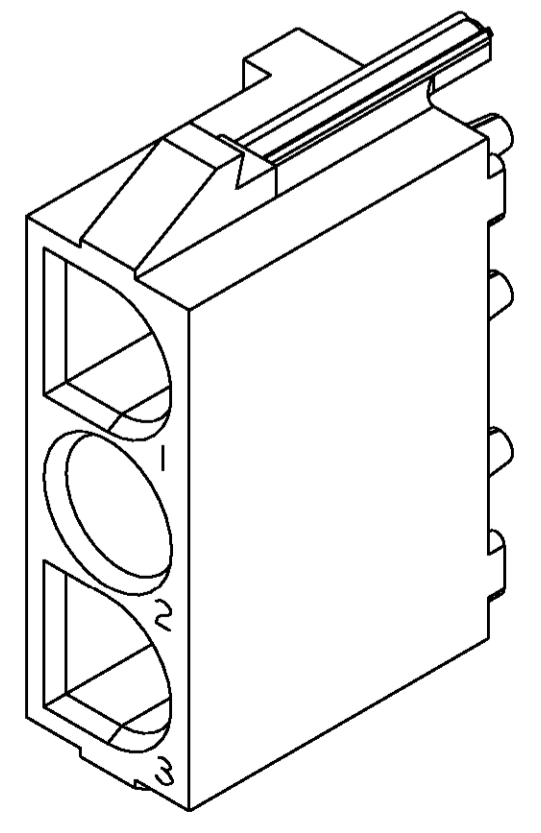


LOC		DIST		REVISIONS			
CM	00	P	LTR	DESCRIPTION	DATE	DWN	APVD
		0		RELEASED PER 0638-0007-03	29-JAN-03	KW	SR

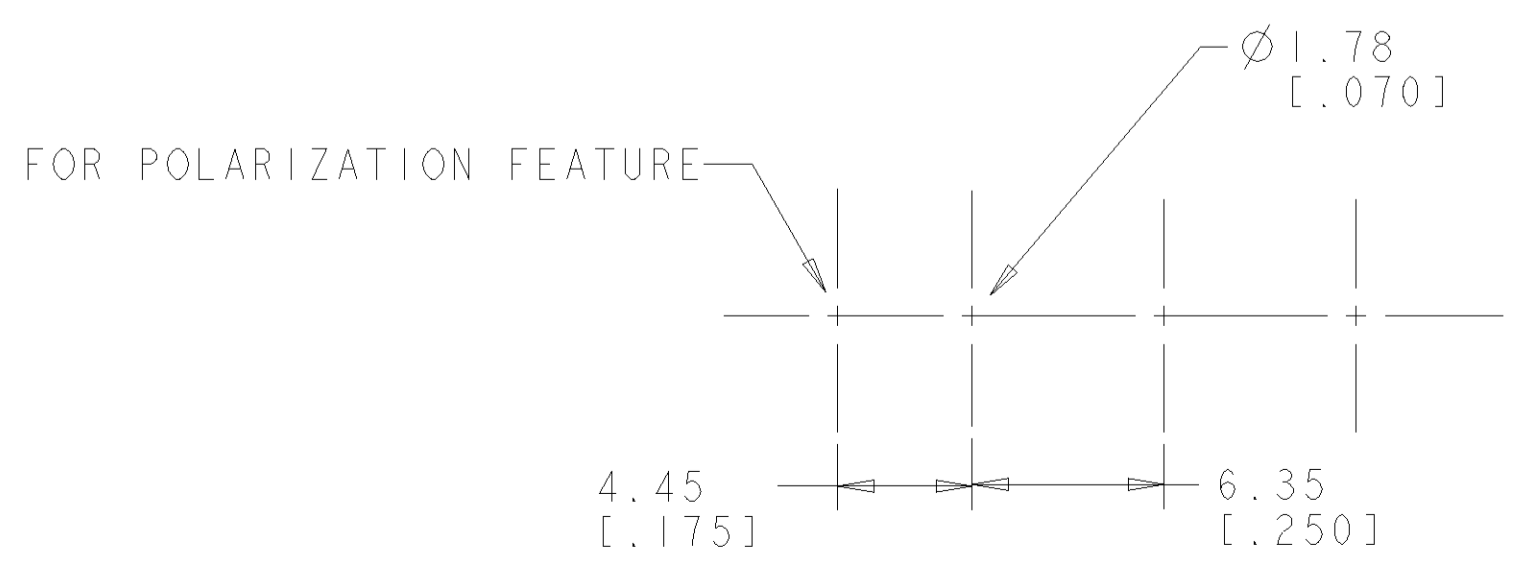
- PARTS COMPLY TO AMP SOLDERABILITY SPECIFICATION 109-11-3.
- CIRCUIT IDENTIFICATION CHARACTERS ARE ADJACENT TO THE INDICATED CAVITIES, BUT LOCATION AND ORIENTATION MAY DIFFER FROM PRINT.
- DIMENSIONS IN BRACKETS ARE IN INCHES.



SECTION A-A
SCALE 10:1

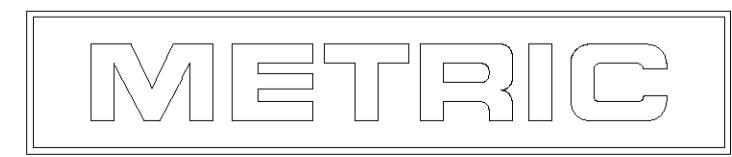


3 DIMENSIONAL MODEL
SCALE 4:1



RECOMMENDED MOUNTING HOLE PATTERN
FOR 1.57 [.062] THICK P.C. BOARD

PHOSPOR BRONZE, PRE-TIN PIN CONTACT MATERIAL AND FINISH		NYLON, UL94V-0, WHITE HOUSING MATERIAL AND COLOR		794878-1 PART NUMBER	
DIMENSIONS: mm [INCHES] 		TOLERANCES UNLESS OTHERWISE SPECIFIED: 0 PLC ± 1 PLC ± 2 PLC ±0.13 (.005) 3 PLC ± 4 PLC ± ANGLES ±40° 10'		DWN R. WHITAKER 28NOV2000 ENR S. RIDGILL 28NOV2000 APVD S. RIDGILL 28NOV2000 NAME PRODUCT SPEC APPLICATION SPEC WEIGHT CUSTOMER DRAWING	Tyco Electronics Harrisburg, PA 17105-3608 Tyco Electronics PIN HEADER ASSEMBLY, POLARIZED, 3 CIRCUIT, UNIVERSAL MATE-N-LOK™ SIZE CAGE CODE DRAWING NO RESTRICTED TO A 00779 C-794878 SCALE 4:1 SHEET 1 OF 1 REV 0



单击下面可查看定价，库存，交付和生命周期等信息

[>>TE Connectivity\(泰科\)](#)