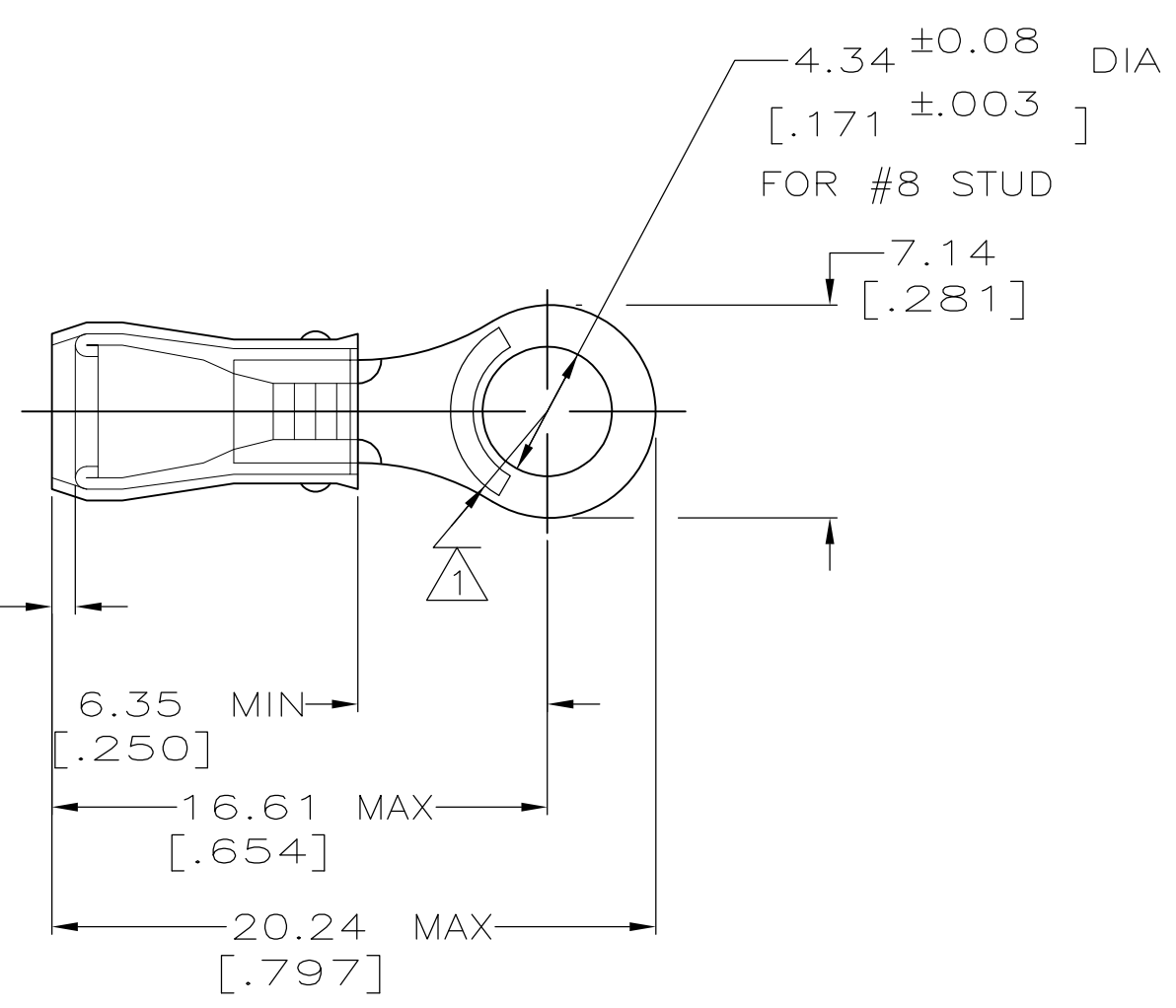


THIS DRAWING IS UNPUBLISHED. RELEASED FOR PUBLICATION
 © COPYRIGHT - By - ALL RIGHTS RESERVED.

LOC	DIST	REVISIONS					
		P	LTR	DESCRIPTION	DATE	DWN	APVD
G	14		AA2	REVISED PER ECO-11-004587	11MAR11	RK	HMR



AMP WIRE RANGE	UL Listed	LR7189 Certified
22-16 AWG SOLID OR STRANDED	22-16 AWG SOLID OR STRANDED	22-16 AWG SOLID OR STRANDED

- 1 STAMP AMP 22-18* APPROX AS SHOWN
 22-16 TERMINALS ARE STAMPED 22-18 IN ACCORDANCE WITH MILITARY SPEC MIL-T-7928
 COMMERCIAL WIRE RANGE IS 22-16
- 2 WIRE INSULATION DIA: .105 - .140
- 3 TONGUE MATERIAL THK: 0.79 ±0.05 [.031 ±.002]

MILITARY P/N AND CLASS	QUANTITY	PACKAGE TYPE	PART NO
-	100	LOOSE PIECE, BOX	8-31886-1
-	5000	ON TAPE, REEL	2-31886-2
-	-	LOOSE PIECE	31886

AMP INCORPORATED CUSTOMER SERVICE SYSTEMS		MAX RECOMMENDED OPERATING TEMPERATURE: 105° C MAX
FOR ADDITIONAL PRODUCT INFORMATION OR COPIES OF DRAWINGS AND TECHNICAL DOCUMENTS	PRODUCT INFORMATION CENTER 1-800-522-6752	VOLTAGE RATING: 300 V MAX
FOR APPLICATION TOOLING INFORMATION	TOOLING ASSISTANCE CENTER 1-800-722-1111	WIRE CROSS SECTIONAL AREA RANGE: 0.26-1.65mm ² [509-3,260] CIR MILS SOLID OR STRANDED
FOR ORDER ENTRY	1-800-526-5142	THIS DRAWING IS A CONTROLLED DOCUMENT FOR AMP INCORPORATED. IT IS SUBJECT TO CHANGE AND THE CONTROLLING ENGINEERING ORGANIZATION SHOULD BE CONTACTED FOR THE LATEST REVISION.

THIS DRAWING IS A CONTROLLED DOCUMENT.		DWN DK SCHRUM 02/11/93	TE Connectivity	
DIMENSIONS: mm [INCHES]		CHK RE HERSEY 4/28/93		
TOLERANCES UNLESS OTHERWISE SPECIFIED:		APVD ML ELLIS 4/28/93	NAME	
0 PLC ± -		PRODUCT SPEC	TERMINAL, RING TONGUE, PIDG™, WIRE SIZE, 22-16 AWG	
1 PLC ± -		APPLICATION SPEC	-	
2 PLC ± 0.20[.008]		UL 486A	SIZE	CAGE CODE
3 PLC ± -		NOT AVAILABLE	A3	00779
4 PLC ± -		WEIGHT	DRAWING NO	
ANGLES ± -		CUSTOMER DRAWING	G-31886	
MATERIAL	FINISH	SCALE	SHEET	REV
COPPER PER ASTM B-152 SLEEVE, RED NYLON	TIN PLATE PER ASTM B-545	4:1	1 OF 1	AA2

单击下面可查看定价，库存，交付和生命周期等信息

[>>TE Connectivity\(泰科\)](#)