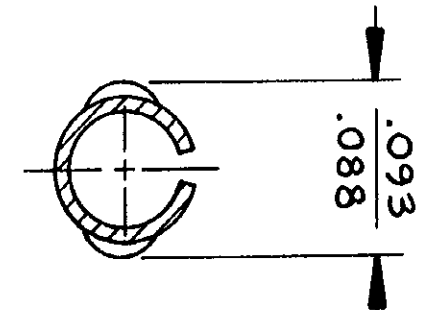
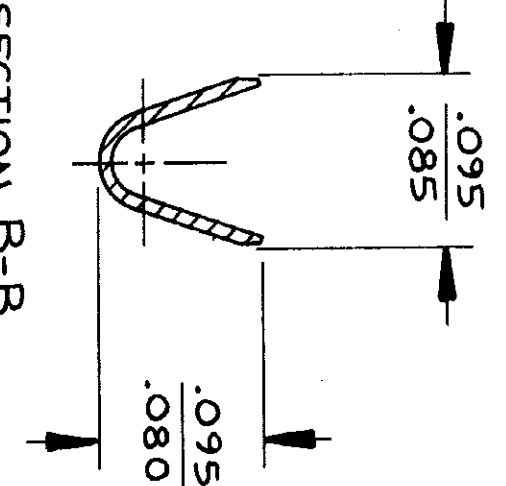
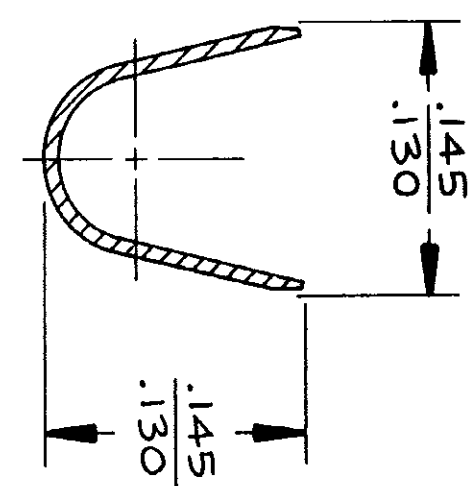
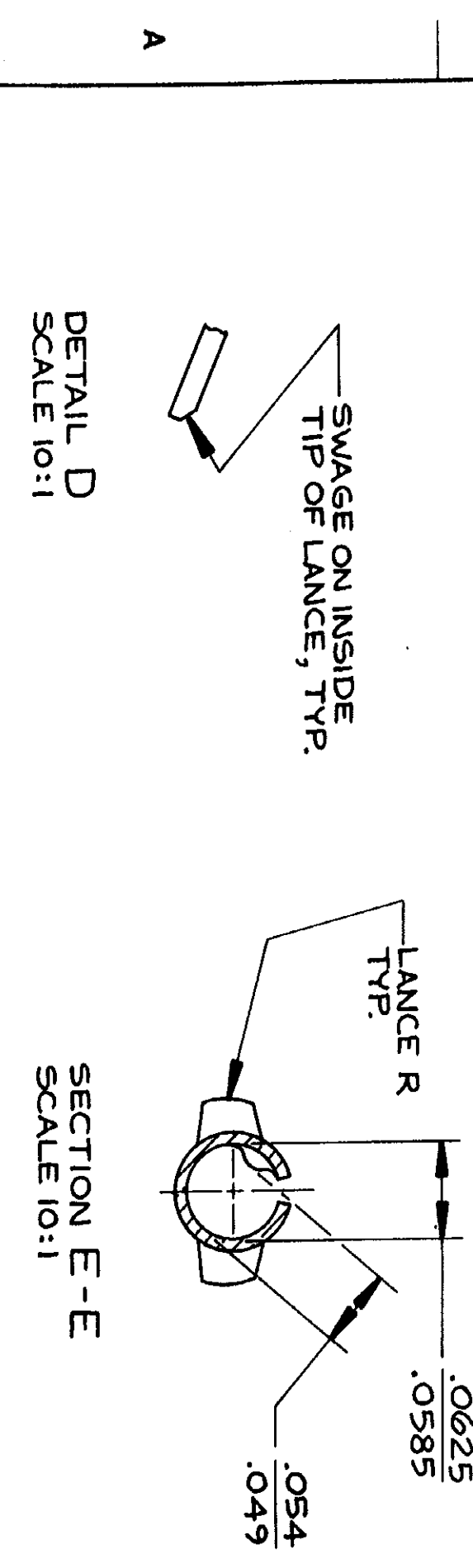
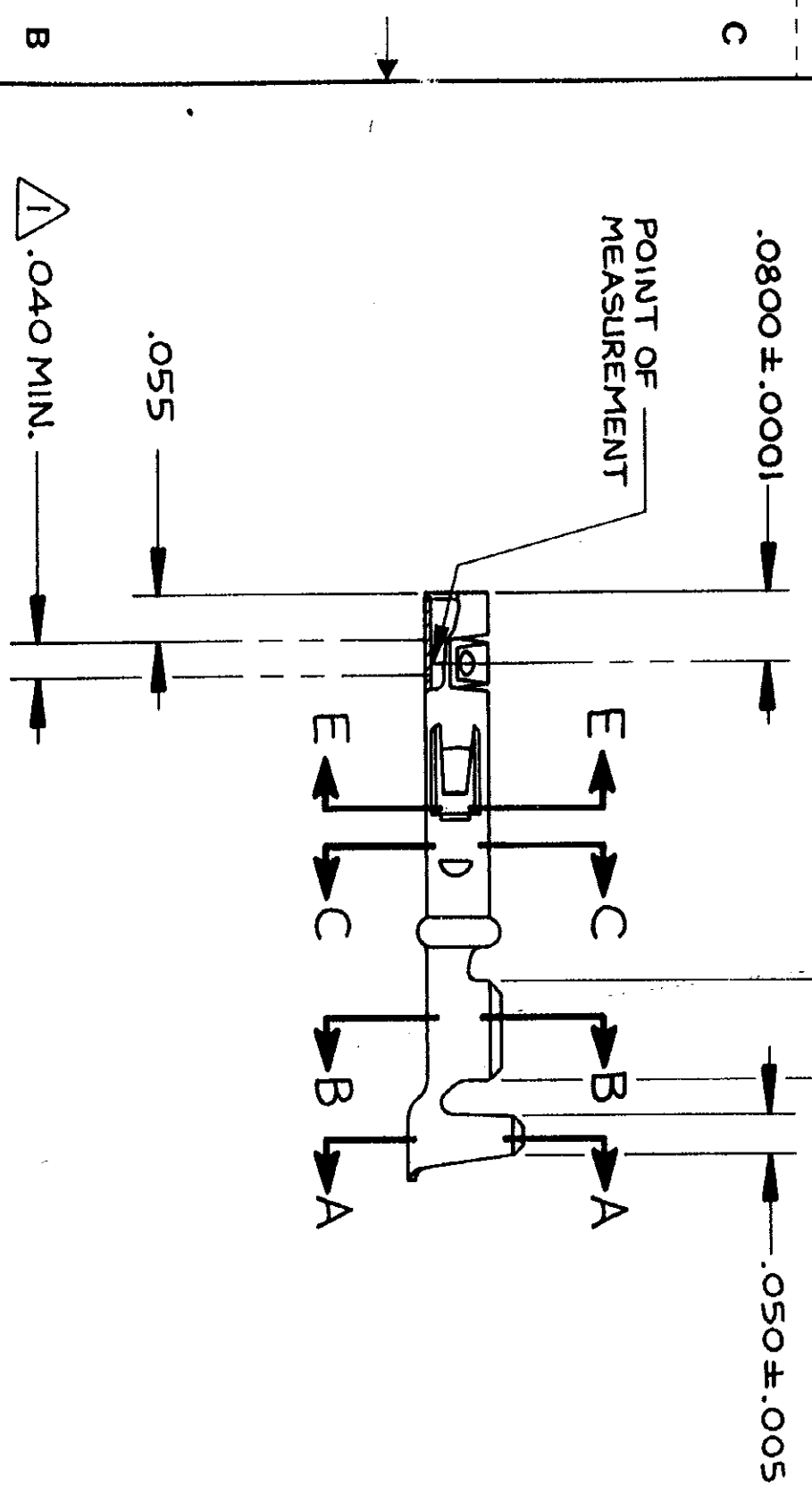
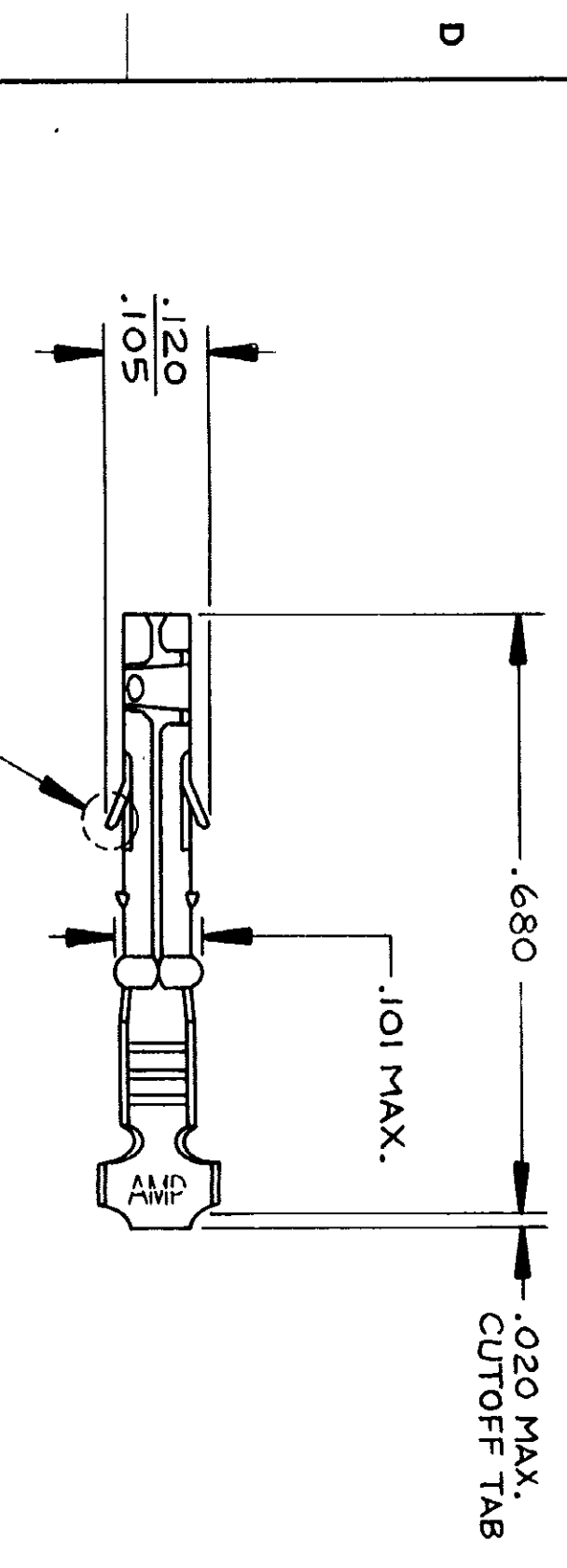


| LOC | DIST | REVISIONS | DATE | APPD |
|-----|------|-----------------------------|---------|------|
| CM | 53 | | | |
| | | DESCRIPTION | | |
| | | S2 WAS SHOWN ON DWG. 350665 | 5-27-87 | 5/AS |



- 1 PLATED INSIDE WITH .000030 GOLD OVER .000050 NICKEL UNDERPLATE.
2. WIRE RANGE: 26-18 AWG INSULATION RANGE: .050-.115 DIA.

| PART NUMBER | MATERIAL | FINISH |
|-------------|-------------------|----------------|
| 350666-1 | .008 PHOS. BRONZE | PRE-TIN |
| -2 | .008 PHOS. BRONZE | PRE-GOLD STRIP |

| | | | | | | | | | |
|---|--|------------------|--------------|---------|----------------------------|--|--------|------------------|-----------------------|
| UNLESS OTHERWISE SPECIFIED DIMENSIONS ARE IN INCHES TOLERANCES ON | | DR | S. JAMES | 5-27-87 | NAME | | AMP | AMP INCORPORATED | Harrisburg, Pa. 17105 |
| 2 PL DEC + .010 | | CHK | K. Sluening | 6-1-87 | MR RECEPTACLE, LOOSE PIECE | | | | |
| 3 PL DEC + .010 | | APPD | W. R. Kaplan | 6-2-87 | SCALE | | 5:1 | DRAWING NO | |
| MATERIAL | | APPD | | | SIZE | | C | 00779 | |
| SEE TABLE | | PRODUCT SPEC | | | FSCM NO | | 350666 | | |
| SEE TABLE | | APPLICATION SPEC | | | DRAWING NO | | 350666 | | |
| SEE TABLE | | WEIGHT | | | SHEET | | 1 OF 1 | | |

CUSTOMER DRAWING

单击下面可查看定价，库存，交付和生命周期等信息

[>>TE Connectivity\(泰科\)](#)