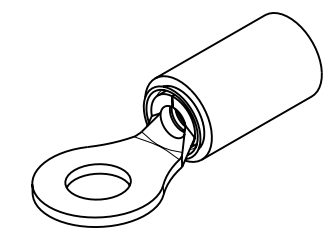
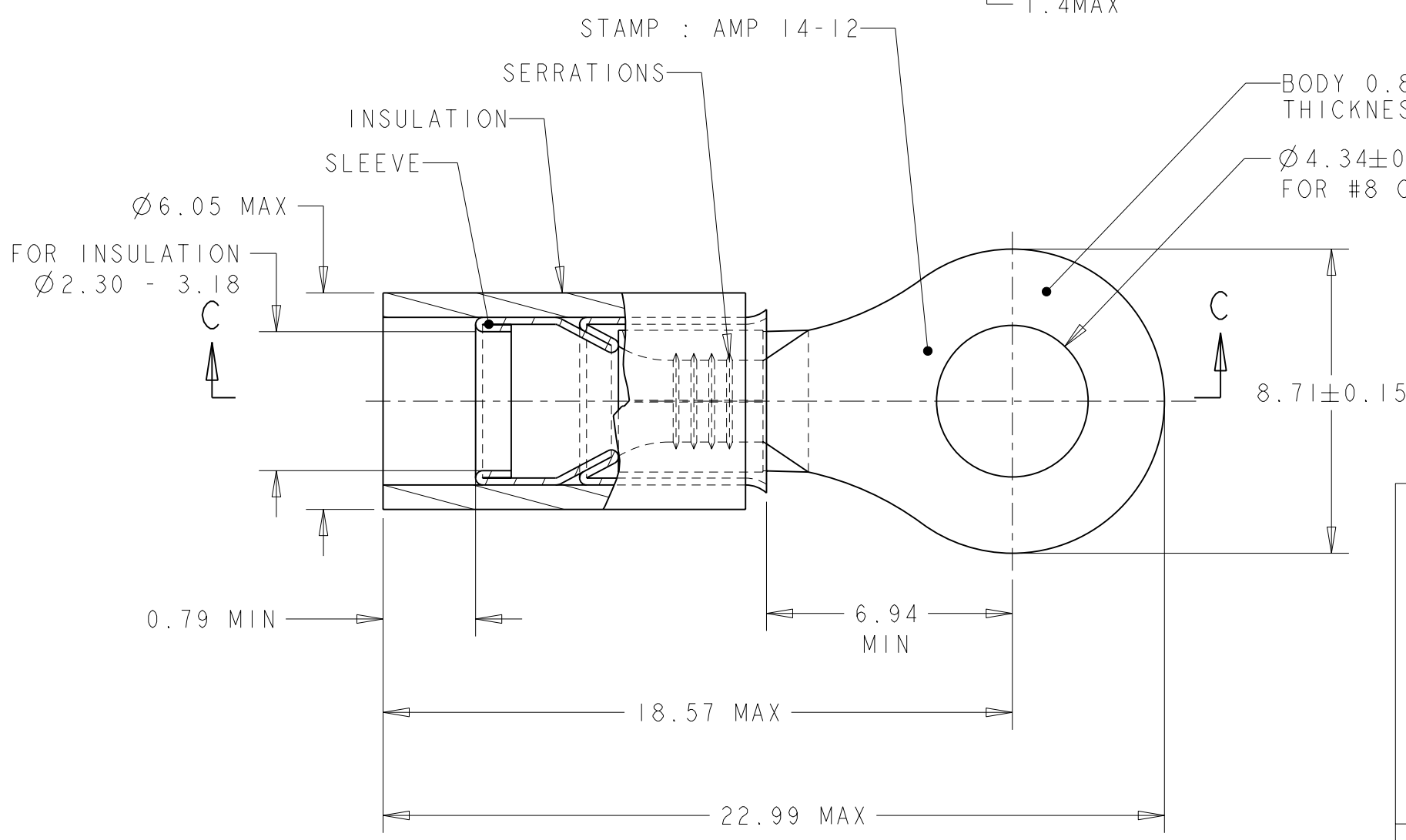
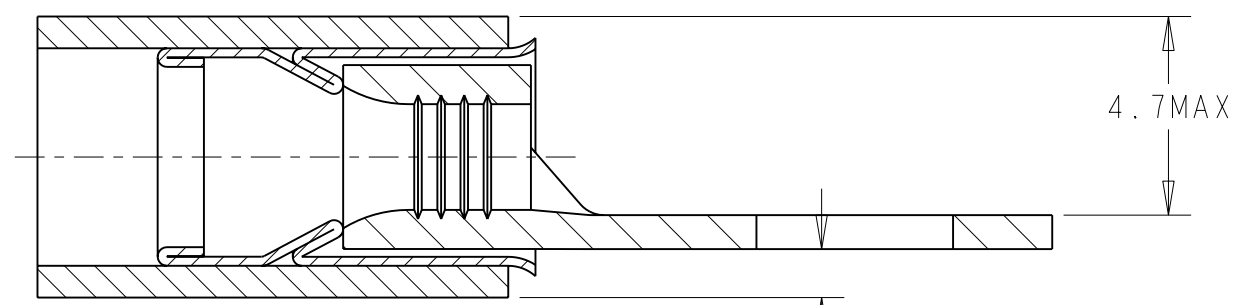


THIS DRAWING IS UNPUBLISHED. RELEASED FOR PUBLICATION 20  
 © COPYRIGHT 20 BY TYCO ELECTRONICS CORPORATION. ALL RIGHTS RESERVED.

LOC	DIST	REVISIONS			
P	LTR	DESCRIPTION	DATE	DWN	APVD
F	00	B	ECR 07-025006	29OCT2007	JT GR

COUPE C-C



WIRE TERMINAL	1577639-1	BODY : COPPER ANNEALED FINISH : NICKEL PLATED
		SLEEVE : COPPER ANNEALED FINISH : NICKEL PLATED
		INSULATION : PEEK COLOR : BEIGE
DESCRIPTION	PART NUMBER	MATERIAL & FINISH

THIS DRAWING IS A CONTROLLED DOCUMENT FOR TYCO ELECTRONICS CORPORATION IT IS SUBJECT TO CHANGE AND THE CONTROLLING ENGINEERING ORGANIZATION SHOULD BE CONTACTED FOR THE LATEST REVISION.		DWN	22FEB2006	Tyco Electronics France SAS 95300 Pontoise, France	
DIMENSIONS: mm		CHK	22FEB2006		
TOLERANCES UNLESS OTHERWISE SPECIFIED: 0 PLC ±- 1 PLC ±0.3 2 PLC ±- 3 PLC ±- 4 PLC ±- ANGLES ±5		APVD	22FEB2006		
MATERIAL SEE TABLE		FINISH	SEE TABLE		
PRODUCT SPEC 108-15356 APPLICATION SPEC 114-15102		NAME		TERMINAL, PEEK PIDG STRATO, 14-12 AWG	
WEIGHT 1,21 gr		SIZE	A3		
CUSTOMER DRAWING		CAGE CODE	00779	DRAWING NO	1577639
		RESTRICTED TO	-		
		SCALE	6:1	SHEET	1 OF 1
		REV	B		

单击下面可查看定价，库存，交付和生命周期等信息

[>>TE Connectivity\(泰科\)](#)