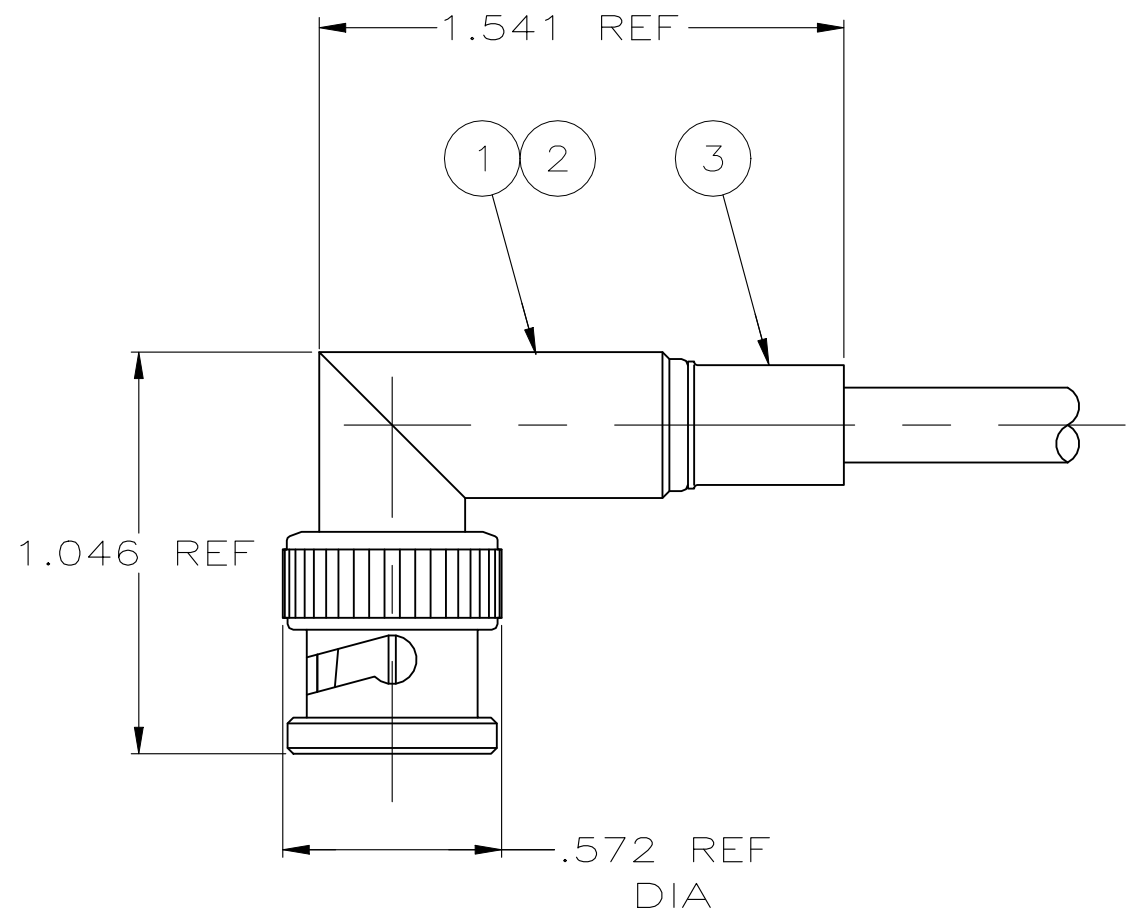
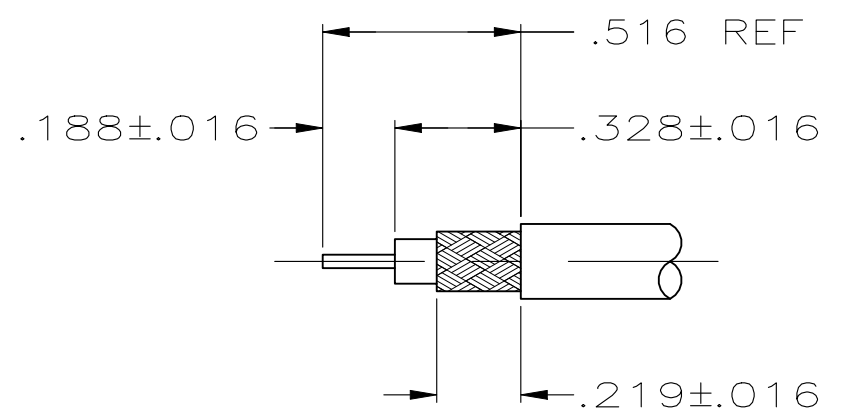


REVISIONS

P	LTR	DESCRIPTION	DATE	DWN	APVD
	A2	REVISED PER ECN-21-122181	26OCT2021	RZ	WK



1. USE HAND TOOL 69478-1.
2. SEE INSTRUCTION SHEET 408-1914-5.



RECOMMENDED STRIP LENGTH

RG 142/U, 142A/U, & 142B/U	9-225382-1	1-331369-2	225975-1	5225973-4
RG 58/U, 58A/U, 58B/U, & 58C/U	9-225381-1	331369	225975-1	5225973-1
CABLE	③ FERRULE QTY=1	② CONTACT QTY=1	① PLUG ASSY QTY=1	PART NUMBER

THIS DRAWING IS A CONTROLLED DOCUMENT.		DWN J. HAVENER 27JUL2005	<b>STE</b> TE Connectivity	
		CHK J. HAVENER 27JUL2005		
DIMENSIONS: INCHES		APVD J. LIPPERT 27JUL2005	NAME PLUG, RIGHT ANGLE DUAL CRIMP, BNC	
TOLERANCES UNLESS OTHERWISE SPECIFIED:		PRODUCT SPEC 108-12020		
0 PLC ± -		APPLICATION SPEC -	SIZE	CAGE CODE
1 PLC ± -			A3	00779
2 PLC ± -			DRAWING NO	RESTRICTED TO
3 PLC ± -			C-5225973	-
4 PLC ± -				
ANGLES ± -		WEIGHT 0.000000	SCALE 2:1	SHEET 1 OF 1
MATERIAL -		FINISH -	CUSTOMER DRAWING	REV A2

单击下面可查看定价，库存，交付和生命周期等信息

[>>TE Connectivity\(泰科\)](#)