

4

3

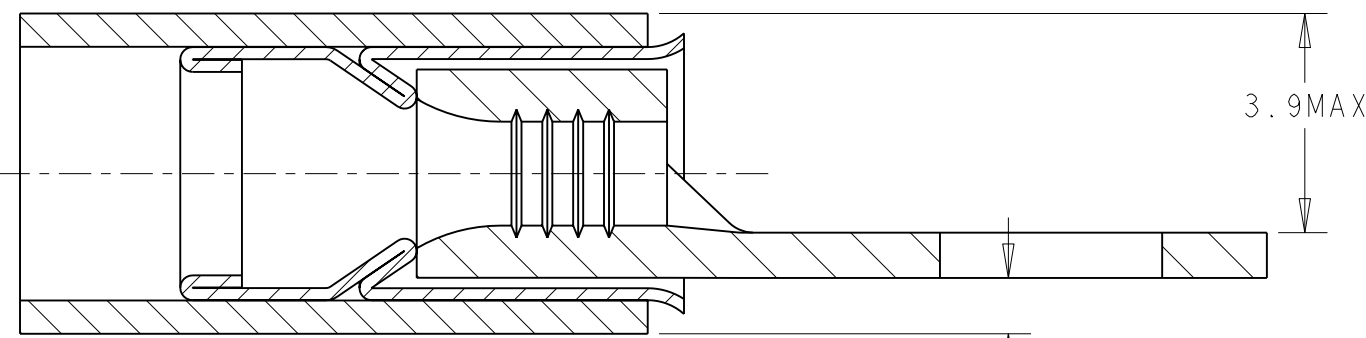
2

1

THIS DRAWING IS UNPUBLISHED. RELEASED FOR PUBLICATION 20  
 © COPYRIGHT 20 BY TYCO ELECTRONICS CORPORATION. ALL RIGHTS RESERVED.

LOC	DIST	REVISIONS			
P	LTR	DESCRIPTION	DATE	DWN	APVD
F	00	B	ECR 07-025006	25OCT2007	JT GR

COUPE C-C



3.9 MAX

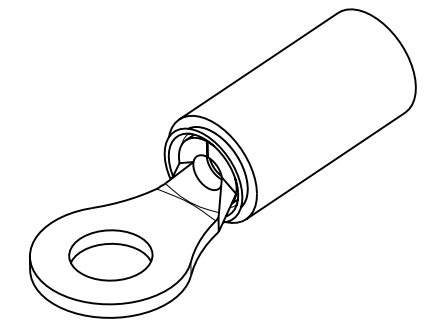
1.3 MAX

BODY 0.80±0.03 TONGUE THICKNESS

∅ 3.68±0.08 FOR #6 OR M3.5 STUD

∅ 5.15 MAX FOR INSULATION ∅ 1.4 - 2.67

INSULATION SLEEVE  
 STAMP : AMP 18 16  
 SERRATIONS



SCALE 3:1

7.14±0.15

C

C

0.79 MIN

5.97 MIN

17.60 MAX

21.24 MAX

WIRE TERMINAL	1577631-1	BODY : COPPER ANNEALED FINISH : NICKEL PLATED
		SLEEVE : COPPER ANNEALED FINISH : NICKEL PLATED
		INSULATION : PEEK COLOR : ORANGE
DESCRIPTION	PART NUMBER	MATERIAL & FINISH

THIS DRAWING IS A CONTROLLED DOCUMENT FOR TYCO ELECTRONICS CORPORATION  
 IT IS SUBJECT TO CHANGE AND THE CONTROLLING ENGINEERING ORGANIZATION  
 SHOULD BE CONTACTED FOR THE LATEST REVISION.

DIMENSIONS: mm		TOLERANCES UNLESS OTHERWISE SPECIFIED:	
0 PLC	±-	1 PLC	±0.3
1 PLC	±-	2 PLC	±-
2 PLC	±-	3 PLC	±-
3 PLC	±-	4 PLC	±-
4 PLC	±-	ANGLES	±5
MATERIAL	SEE TABLE	FINISH	SEE TABLE

DWN	22FEB2006	JJ. DESPRETZ
CHK	22FEB2006	G. ROBERT
APVD	22FEB2006	Y. PETRONIN
PRODUCT SPEC	108-15356	
APPLICATION SPEC	114-15102	
WEIGHT	0,9 gr	

<b>tyco</b> Electronics		Tyco Electronics France SAS 95300 Pontoise, France	
NAME TERMINAL, PEEK PIDG STRATO, 18-16 AWG			
SIZE	CAGE CODE	DRAWING NO	RESTRICTED TO
A3	00779	1577631	-
CUSTOMER DRAWING		SCALE	SHEET OF REV
		8:1	1 OF 1 B

单击下面可查看定价，库存，交付和生命周期等信息

[>>TE Connectivity\(泰科\)](#)