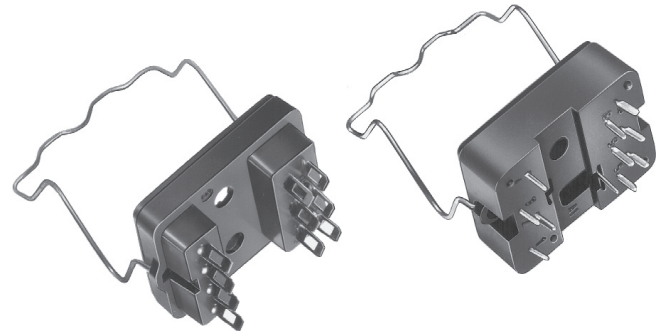


Cradle Relay Accessories and Mounting

Sockets for cradle relays in 2 different versions

- Sockets with hand solder terminals
- Sockets with PCB terminals
- Available in 3 different sizes

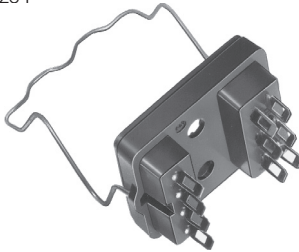


Technical Data	
ROHS compliant (Directive 2002/95/EC) as per product date code 050	
Sockets with hand solder terminals	
Weight: size I / II / III	approx. 3.5 / 4.5 / 5.5 g
Sockets with PCB terminals	
Weight: size I / II / III	approx. 4.5 / 5.5 / 6.5 g
Terminal material	
	CuSn8 FB 390 plated with min. 3µm silver or min. 1 µm gold

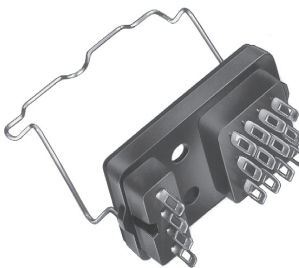
Technical Data (continued)	
Socket material hand solder terminals	
	Phenolformaldehyde type 31 (DIN 7708, part 2)
Socket material PCB terminals	
	Makrolom (polycarbonate)
Maximum continuous current at 70°C	
	5 A

Sizes Hand Solder Terminals

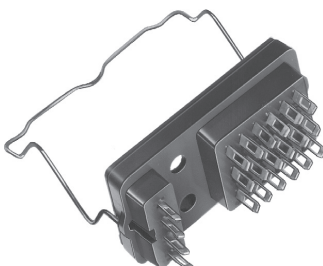
Size I



Size II

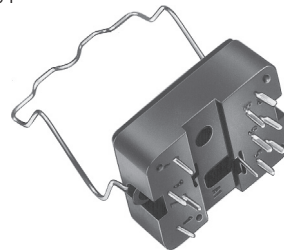


Size III

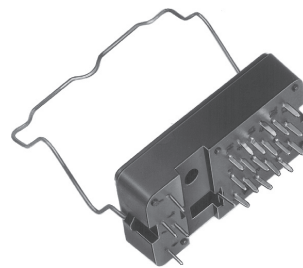


PCB Terminals

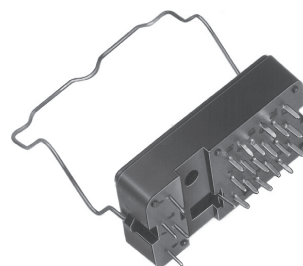
Size I



Size II



Size III



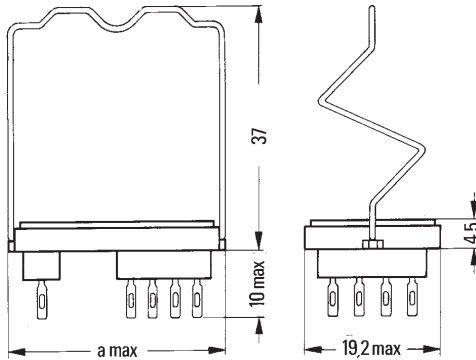
Cradle Relay Accessories and Mounting (Continued)

Dimensions

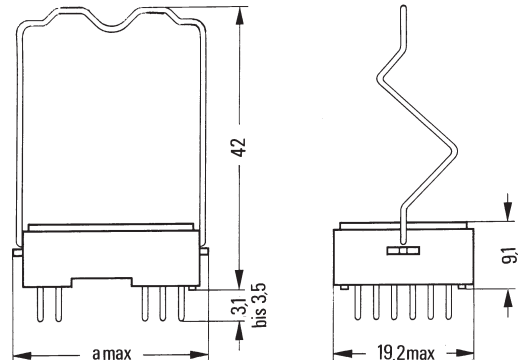
Socket	Size I	Size II	Size III
Dimension a	26.6mm	32.5mm	38mm

Sockets with hand solder terminals

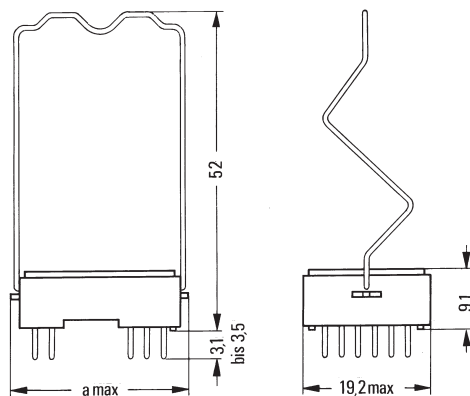
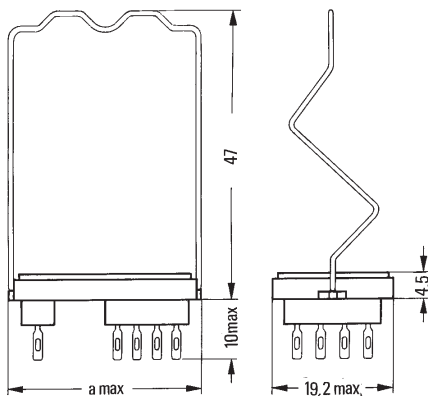
with hold-down spring for cradle relays N, S and P



Sockets with PCB terminals



with hold-down spring for cradle relay W



Ordering Code*)

Version	Size	Ordering Code	Part Number
Sockets			
for printed circuit mounting, terminals silver-plated with earth terminal	I	V23154-Z1001	1393824-1
	II	V23154-Z1002	9-1393809-1
	III	V23154-Z1028	1-1393824-0
for solder terminals, hand solder terminals, silver-plated	I	V23154-Z1005	1393824-4
	II	V23154-Z1006	1393824-5
	III	V23154-Z1015	1393824-8
Hold-down springs			
for cradle relays N, S and P	I	V23154-Z1021	1393827-1
	II	V23154-Z1022	1393827-2
	III	V23154-Z1034	1393760-2
for cradle relay W	I	V23154-Z1023	1393827-3
	II	V23154-Z1024	1393760-1

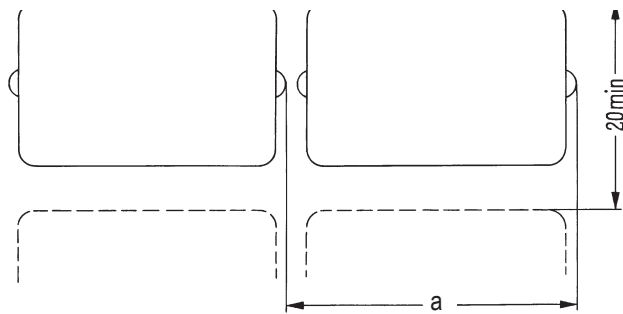
*) Please note that hold down springs have to be ordered separately.

Cradle Relay Accessories and Mounting (Continued)

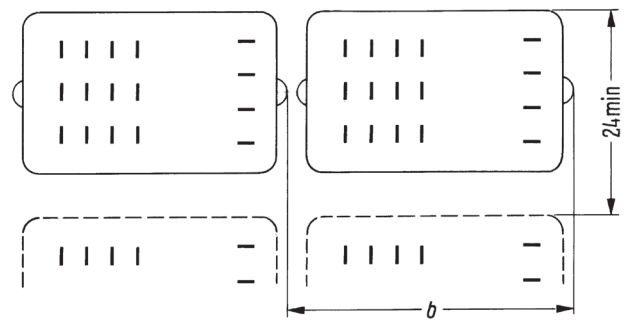
Dimensions
Minimum spacings between sockets

Socket	Size I	Size II	Size III
Dimension a and b	27mm	33mm	39mm
Dimension c	42mm	48mm	54mm

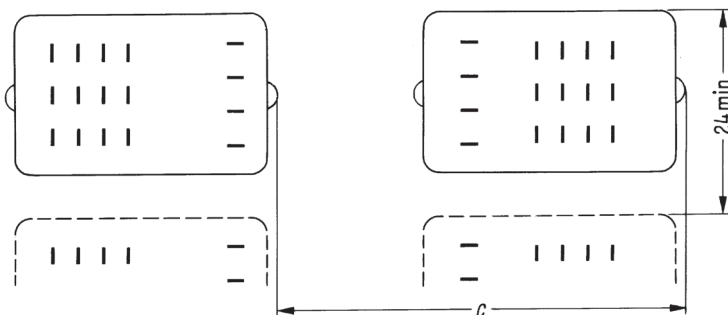
with hold-down spring for cradle relays N, S and P



for cradle relay P
Relays oriented in the same direction



Relays oriented inversely to each other

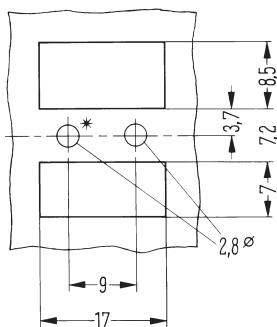


When mounting cradle relay P consideration should be given to magnetic fields. Strong DC magnetic fields, possibly caused by adjacent relays, and large iron masses are the most common causes of interference. Experience has shown that under normal operating conditions the minimum spacings specified for cradle relay P are sufficient to prevent cross interference.

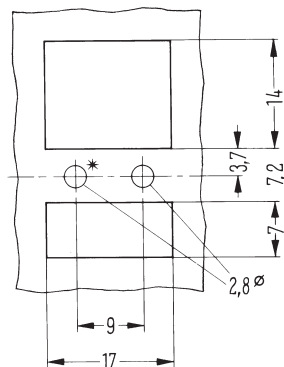
Mounting hole layout for cradle relays and sockets with hand solder terminals

with hold-down spring for cradle relays N, S and P

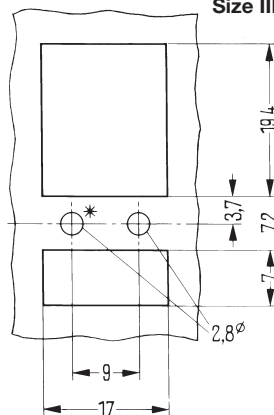
Size I



Size II



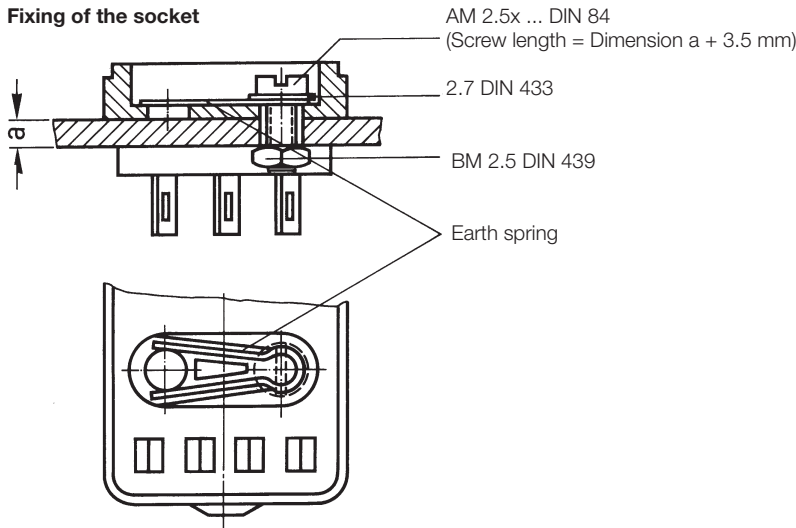
Size III



*) This hole is omitted when mounting hole layouts is intended for the socket

Cradle Relay Accessories and Mounting (Continued)

Fixing of the socket

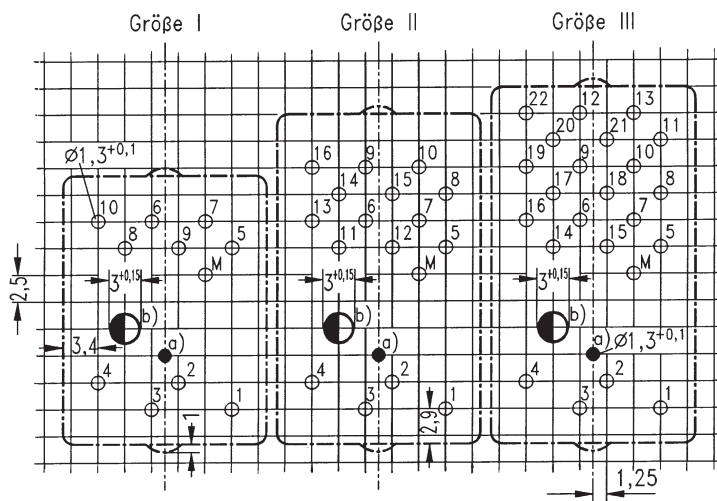


Direct mounting of relays without socket requires a fixing nut M2.5 DIN 934-m6AU. Ordering code: D00934-A0025-S001

Dimensions

Mounting hole layout for sockets with PCB terminals

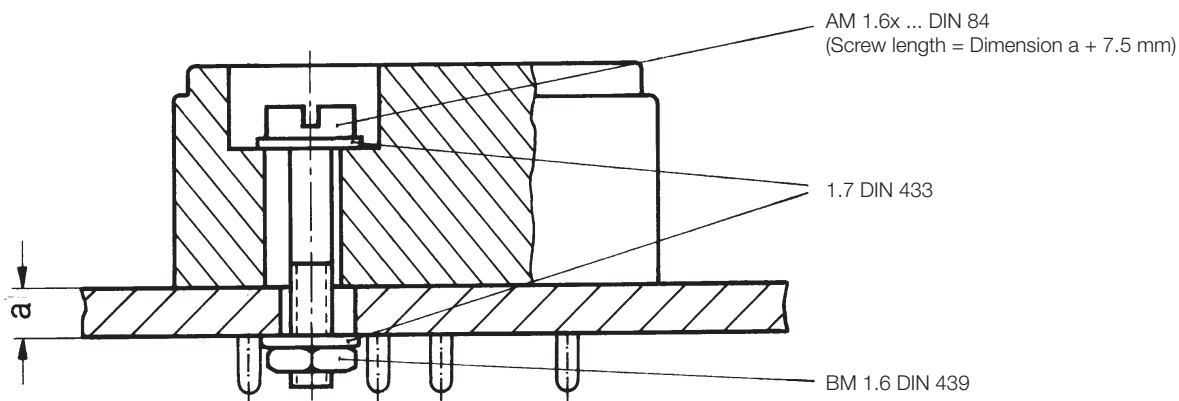
View on the terminals, basic grid 2.5mm according to EN 60097



M = Earth terminal

- a) Hole for mechanical armature actuation, if required
- b) Hole for the socket mounting with screw M1.6

Fixing of the socket



单击下面可查看定价，库存，交付和生命周期等信息

[>>TE Connectivity\(泰科\)](#)