

# Thermofit<sup>®</sup> Molded Parts

## Specification Control Drawing

Part Number : 202A222-4-02/42

Description : BOOT, STRAIGHT

LIMITED DISTRIBUTION

### NOTES

- ALL DIMENSIONS ARE IN  $\frac{\text{INCHES}}{\text{(MILLIMETERS)}}$
- DIMENSIONS APPEARING IN TABLE ARE AS FOLLOWS:  
 $a$  - AS SUPPLIED  
 $b$  - AFTER UNRESTRICTED RECOVERY
- COATING IS STANDARD. AS SUPPLIED DIMENSIONS APPEARING IN TABLE ARE FOR UNCOATED PARTS. WHEN COATING IS ADDED, ENTRY DIAMETERS WILL BE REDUCED BY .06 MAX..
- PART IS CUT OFF & COATED.

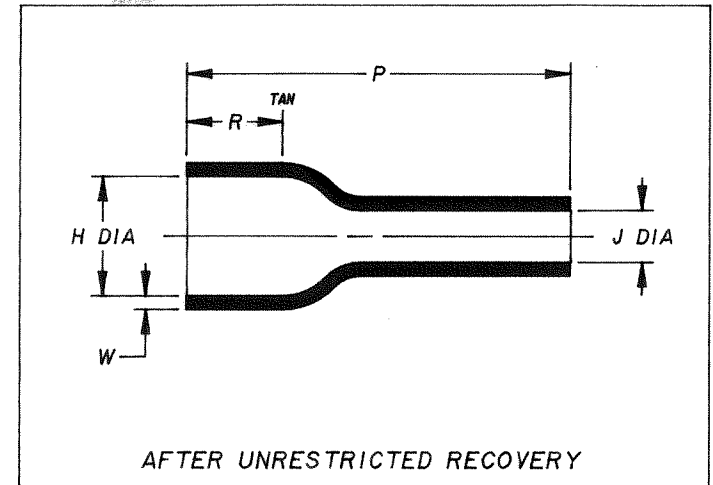
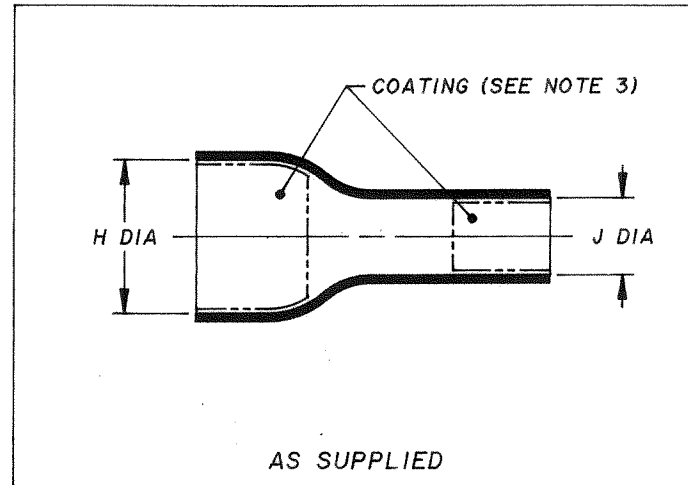


TABLE OF DIMENSIONS							
PART NUMBER	H		J		P	R	W
	Min	Max	Min	Max	±10%	±10%	±20%
	a	b	a	b	b	b	b
202A222-4-02	.88 (22,4)	.62 (15,7)	.48 (12,2)	.27 (6,9)	4.00 (101,6)	.62 (15,7)	.08 (2,03)

## Raychem

RAYCHEM CORPORATION  
 300 CONSTITUTION DRIVE  
 MENLO PARK, CALIFORNIA 94025  
 (415) 361-6055

If this document is printed it becomes uncontrolled.  
 Check for the latest revision.

Revision : NEW  
 Date : 10/5/84

Part Number : 202A222-4-02/42  
 Description : BOOT, STRAIGHT

单击下面可查看定价，库存，交付和生命周期等信息

[>>TE Connectivity\(泰科\)](#)