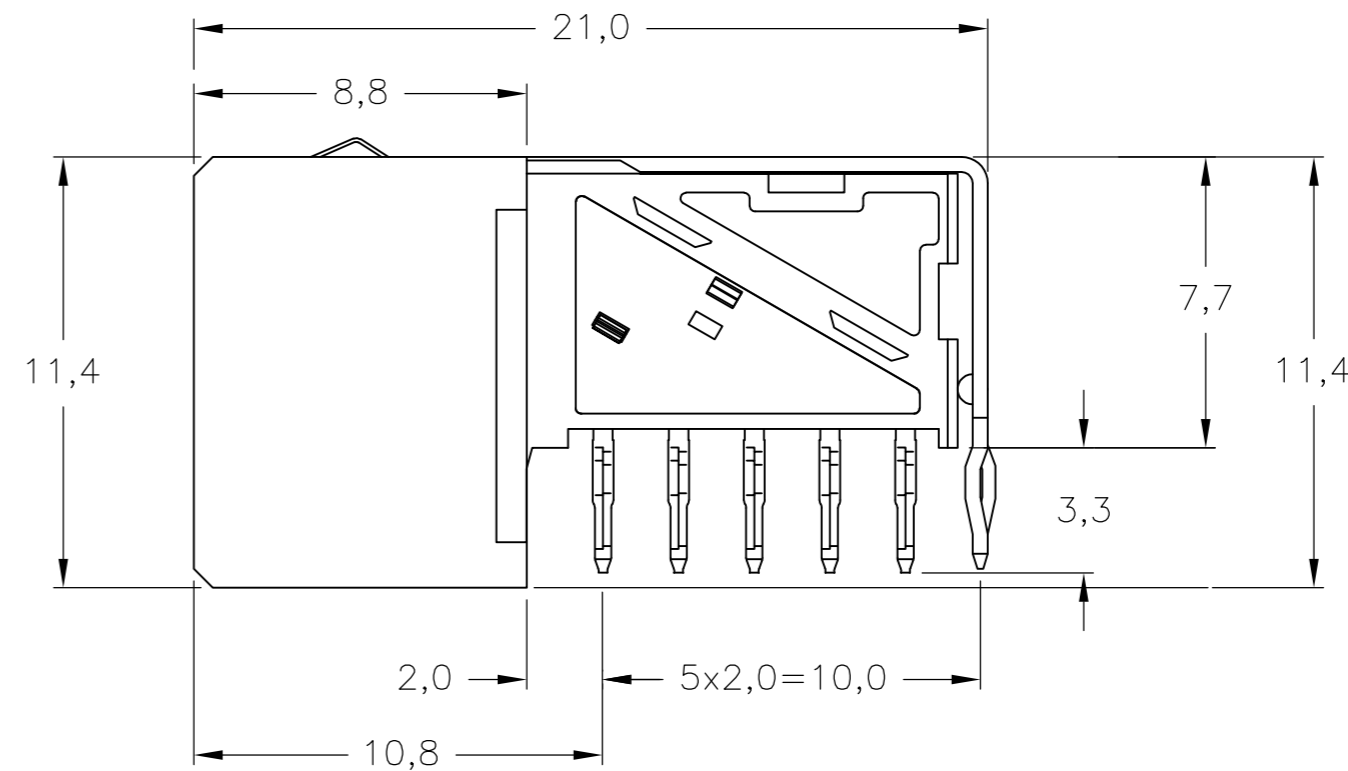
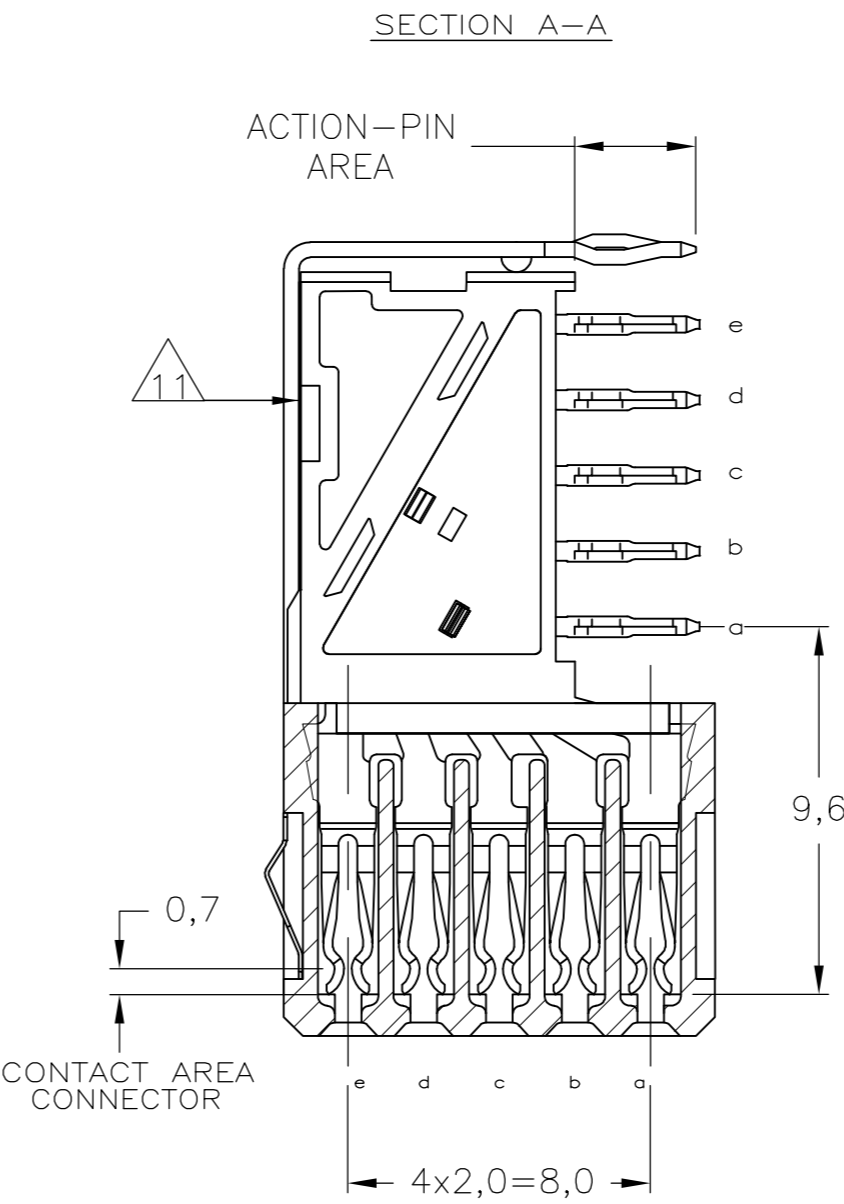
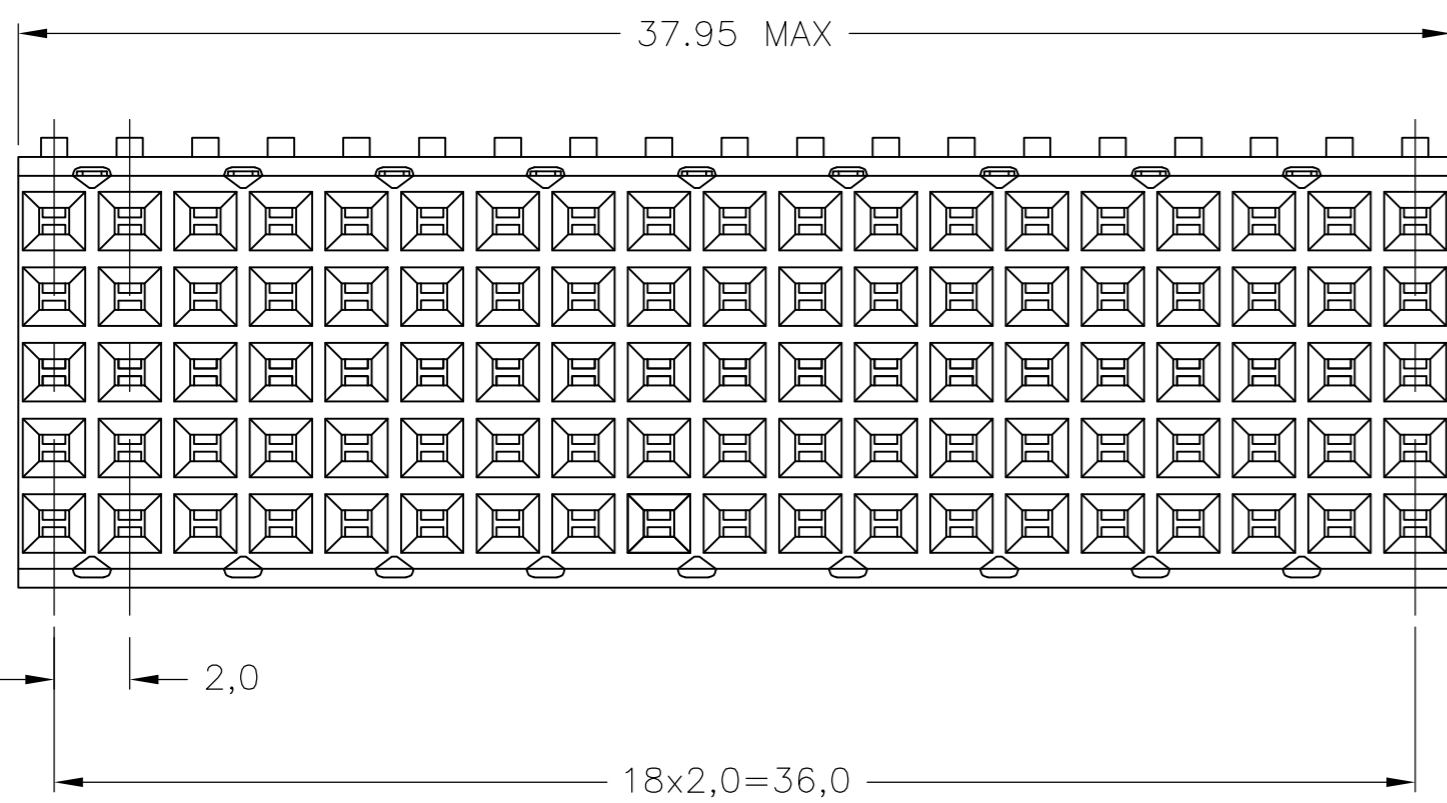
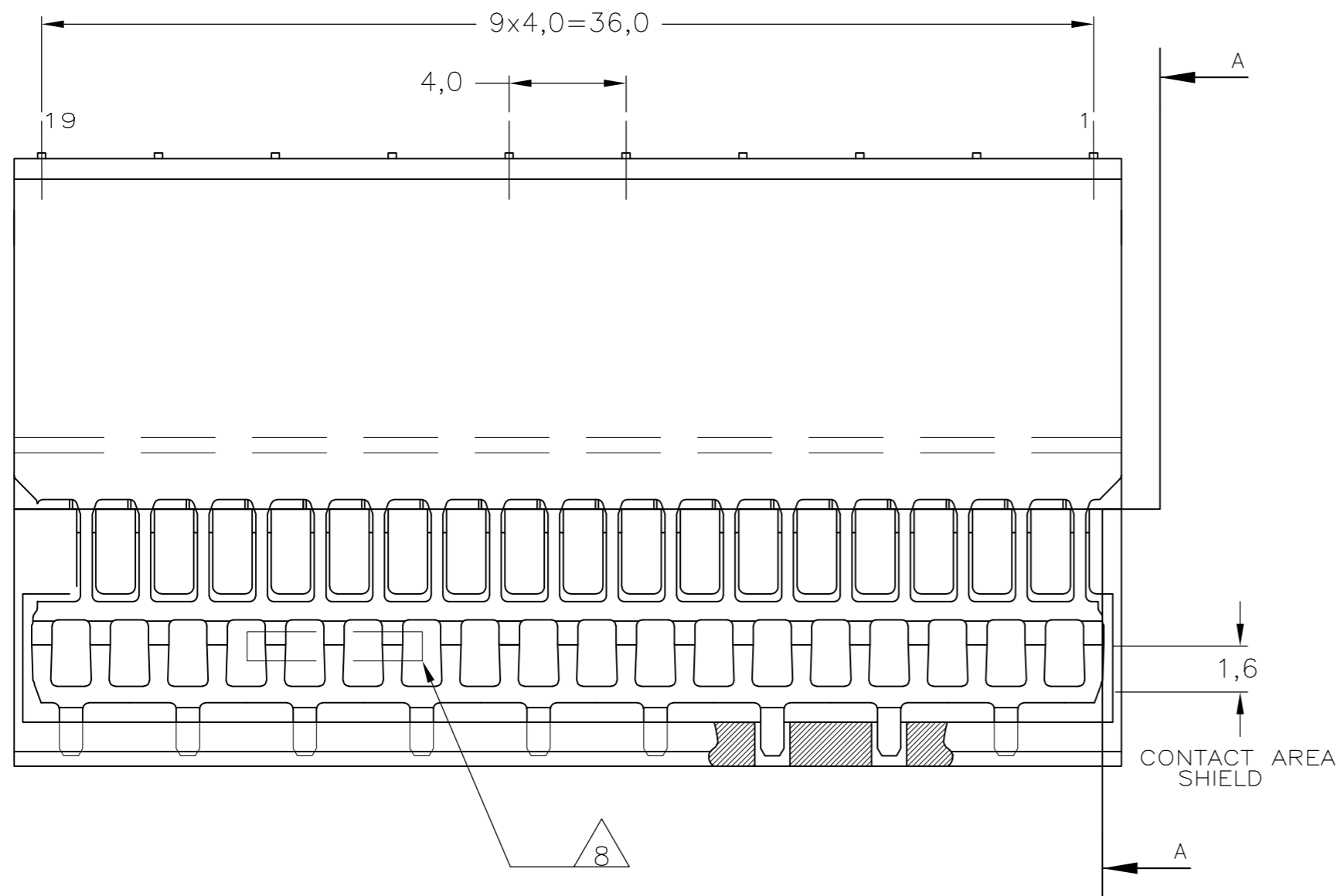


THIS DRAWING IS UNPUBLISHED. RELEASED FOR PUBLICATION
 © COPYRIGHT - By - ALL RIGHTS RESERVED.

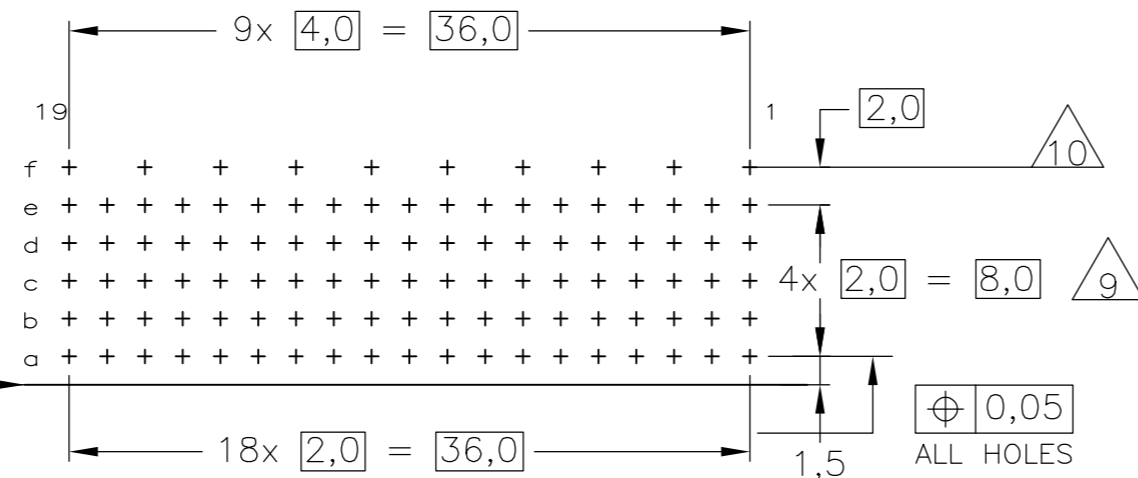
REVISIONS					
P	LTR	DESCRIPTION	DATE	DWN	APVD
F		REVISED PER ECR-16-013298	02JUN2017	FL	SY



NOTES:

- 1 MATERIAL CONTACTS; PHOSPHORBRONZE
- MATERIAL HOUSING; GLASSFILLED POLYESTER (GRAY)
- 2 GENERAL PLATING SPECIFICATION: UNDERPLATING (ENTIRE CONTACT): 1,27µm NICKEL MIN. AND ACTION PIN: 0,5µm TIN MIN. FOR PLATING OF MATING SURFACES SEE APPLICABLE SPECIFICATION REFERENCE FOR EACH DASH NUMBER.
- 3 CONFORMS TO ALL TESTING ACCORDING IEC 61076-4-101 PERFORMANCE LEVEL 2.
- 4 CONFORMS TO ALL TESTING ACCORDING IEC 61076-4-101 PERFORMANCE LEVEL 1.
- 5 CONNECTOR TESTED AND QUALIFIED AGAINST TELCORDIA GR-1217-CORE QUALITY LEVEL III, CENTRAL OFFICE APPLICATIONS.
- 6 CONNECTOR LUBRICATED WITH TELCORDIA GR-1217-CORE APPROVED LUBRICANT.
- 7 ASSEMBLY PRINTED WITH P/N AND DATECODE
- 8 THE MARKING CAN APPEAR ON THE FRONT SIDE OR BACK SIDE.
- 9 HOLE PATTERN FOR FEMALE CONNECTOR TYPE B-19 COLUMNS
- 10 95 PLATED-THROUGH HOLES AT 2x2mm SQUARE GRID
- 11 ROW "f" 10 PLATED THROUGH HOLES FOR UPERSHIELD SHIELD MOUNTED ON CONNECTOR WITH DOUBLE SIDED ADHESIVE TAPE OR ADHESIVE
- 12 BASIC P.N. LOWERSHIELD : 5352029.
- 13 0.76mm MIN GOLD PLATING AT MATING SURFACE

COMPONENT SIDE AS SHOWN
 RECOMMENDED PCB-HOLE LAY-OUT
 SCALE 2,5:1



P.C.B. HOLE DIM. ACTION PIN
 FOR DETAILS SEE
 APPLICATION SPECIFICATION

EDGE OF P.C.BOARD

OBSOLETE	2 3 13	1	3-5352171-0
	2 5 6	1	5352171-9
	2 4	1	5352171-4
	2 3	1	5352171-1
	FINISH		MATERIAL

THIS DRAWING IS A CONTROLLED DOCUMENT.		DWN K.N.KIRAN 21AUG2004	TE Connectivity	
DIMENSIONS: mm		CHK B.MOOIJ 27OCT2004	Z-PACK 2mm HM TYPE B - 19 COLUMNS PRE-SHIELDED RECEPTACLE	
TOLERANCES UNLESS OTHERWISE SPECIFIED: ±0.2		APVD B.MOOIJ 27OCT2004	NAME	
6 PLG ± ±		PRODUCT SPEC	SIZE CAGE CODE DRAWING NO	
1 PLG ± ±		108-19082	RESTRICTED TO	
2 PLG ± ±		APPLICATION SPEC	A2 00779 C=5352171	
3 PLG ± ±		114-19029	SCALE 5:1 SHEET 1 OF 1 REV F	
4 PLG ± ±		WEIGHT 0.000000		
ANGLES ± ±		CUSTOMER DRAWING		
FINISH				

单击下面可查看定价，库存，交付和生命周期等信息

[>>TE Connectivity\(泰科\)](#)