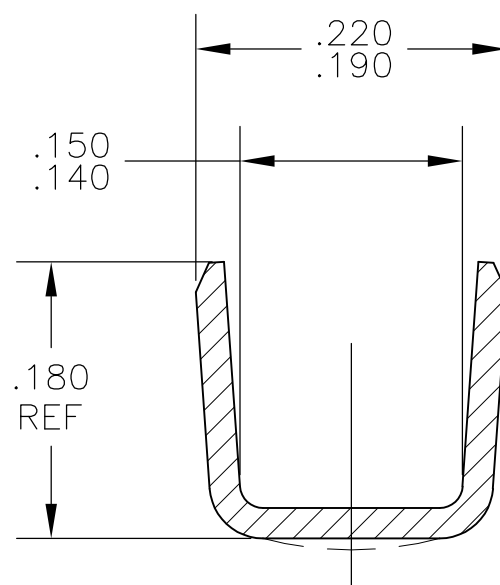
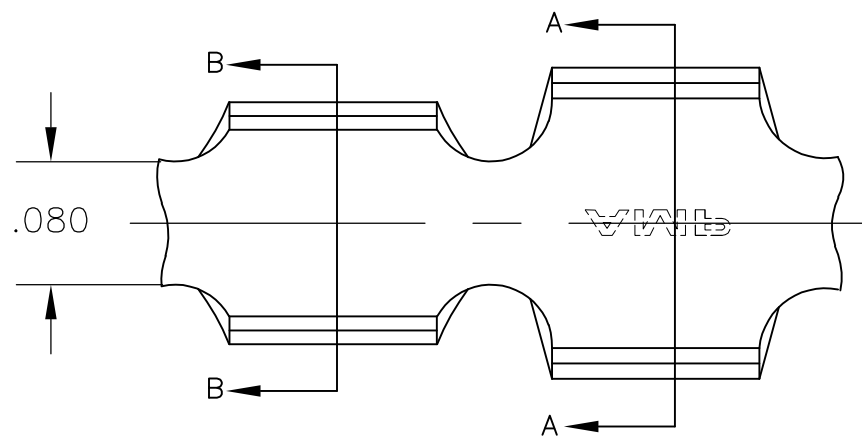


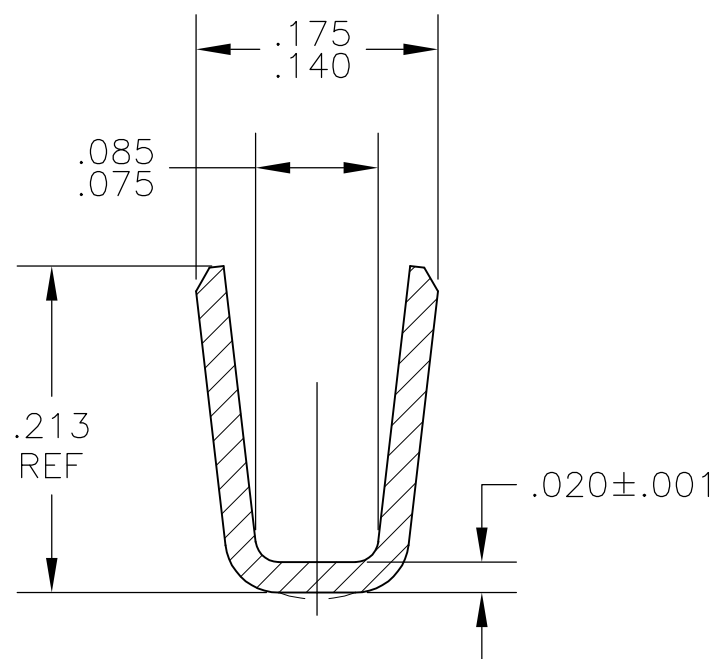
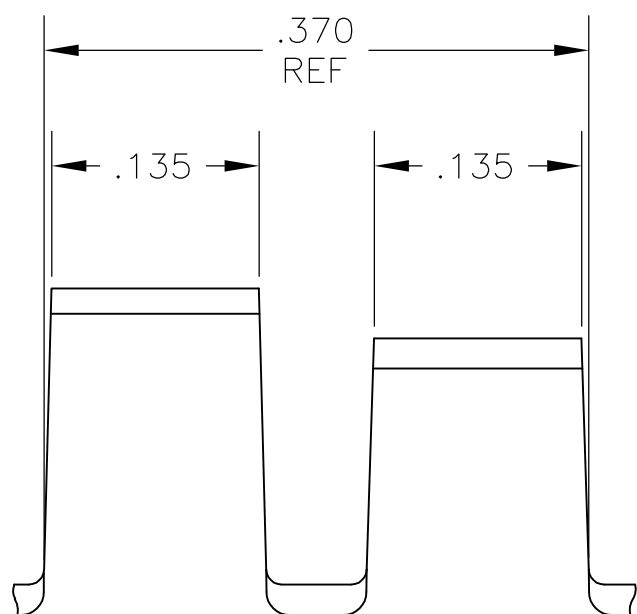
THIS DRAWING IS UNPUBLISHED. RELEASED FOR PUBLICATION  
 © COPYRIGHT BY TYCO ELECTRONICS CORPORATION. ALL RIGHTS RESERVED.

| LOC | DIST | REVISIONS   |                                   |         |        |
|-----|------|-------------|-----------------------------------|---------|--------|
| P   | LTR  | DESCRIPTION | DATE                              | DWN     | APVD   |
| AF  | 50   | F1          | ECR-07-018635(REDRAWN IN AUTOCAD) | 03JUL07 | HMR GP |



SECTION A-A

- 1 CONTINUOUS STRIP ON REELS
- 2 WIRE RANGE: 3200 TO 8200 CMA
- 3 INSULATION RANGE: .120 - .160 DIA.



SECTION B-B

|          | STEEL    | NICKEL | 42627-4 |
|----------|----------|--------|---------|
| OBSOLETE | BRASS    | GOLD   | 42627-3 |
| OBSOLETE | BRASS    | SILVER | 42627-2 |
| OBSOLETE | BRASS    | TIN    | 42627-1 |
|          | MATERIAL | FINISH | PART NO |

|  |  |                         |   |  |
|--|--|-------------------------|---|--|
| THIS DRAWING IS A CONTROLLED DOCUMENT. |  | DWN RAGHAVENDRA 03JUL07 | Tyco Electronics Corporation<br>Harrisburg, PA 17105-3608 |  |
| DIMENSIONS: INCHES                     | TOLERANCES UNLESS OTHERWISE SPECIFIED: | CHK G.D.PORTA 03JUL07   | NAME  |  |
|  | 0 PLC ± -                              | APVD G.D.PORTA 03JUL07  | SPECIAL SPLICE  |  |
|  | 1 PLC ± -                              | PRODUCT SPEC            | SIZE CAGE CODE DRAWING NO RESTRICTED TO                   |  |
|  | 2 PLC ± -                              | APPLICATION SPEC        | A3 00779 C-42627  |  |
|  | 3 PLC ± .010                           | WEIGHT -                | SCALE 8:1 SHEET 1 OF 1 REV F1                             |  |
|  | 4 PLC ± -                              | CUSTOMER DRAWING        |   |  |
|  | ANGLES ± -                             |                         |   |  |
| MATERIAL SEE TABLE                     | FINISH SEE TABLE                       |                         |   |  |

单击下面可查看定价，库存，交付和生命周期等信息

[>>TE Connectivity\(泰科\)](#)