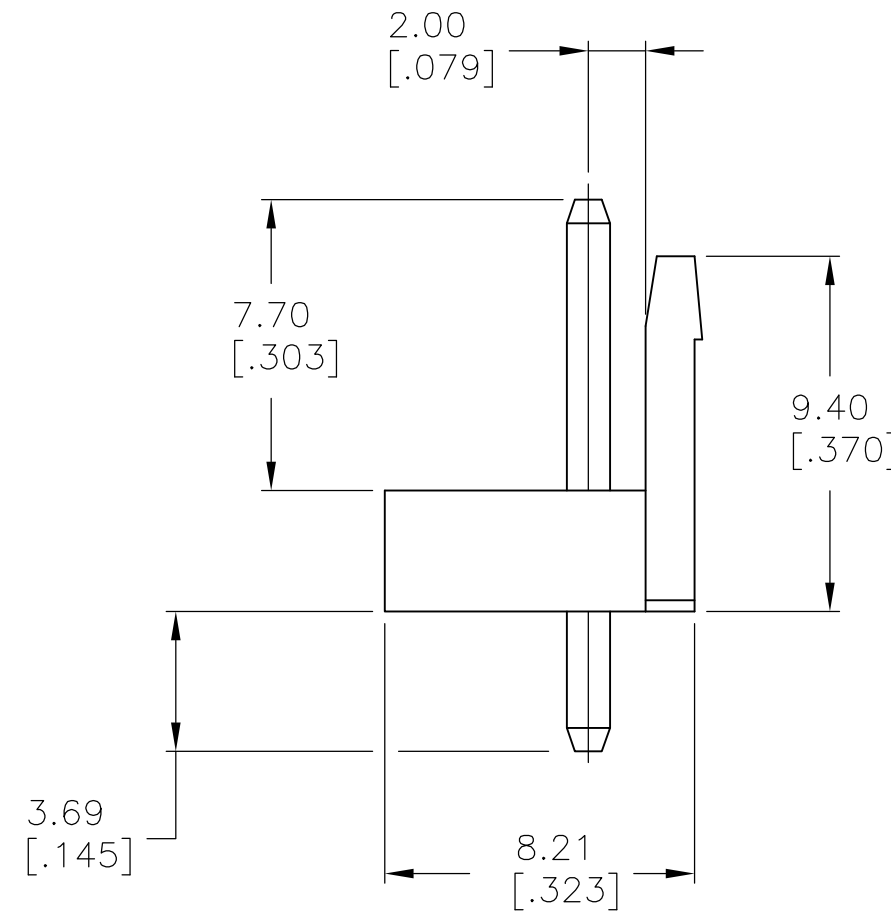
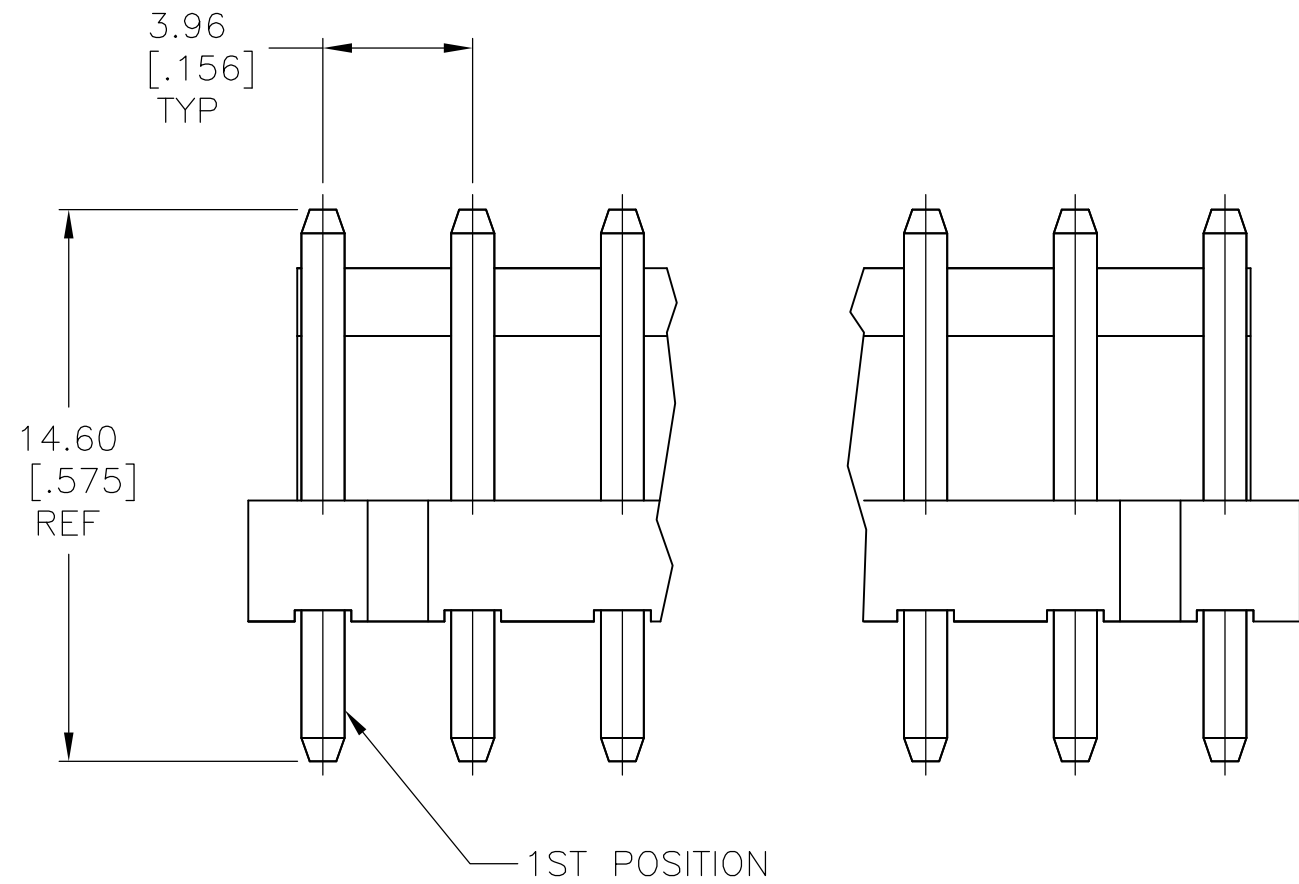
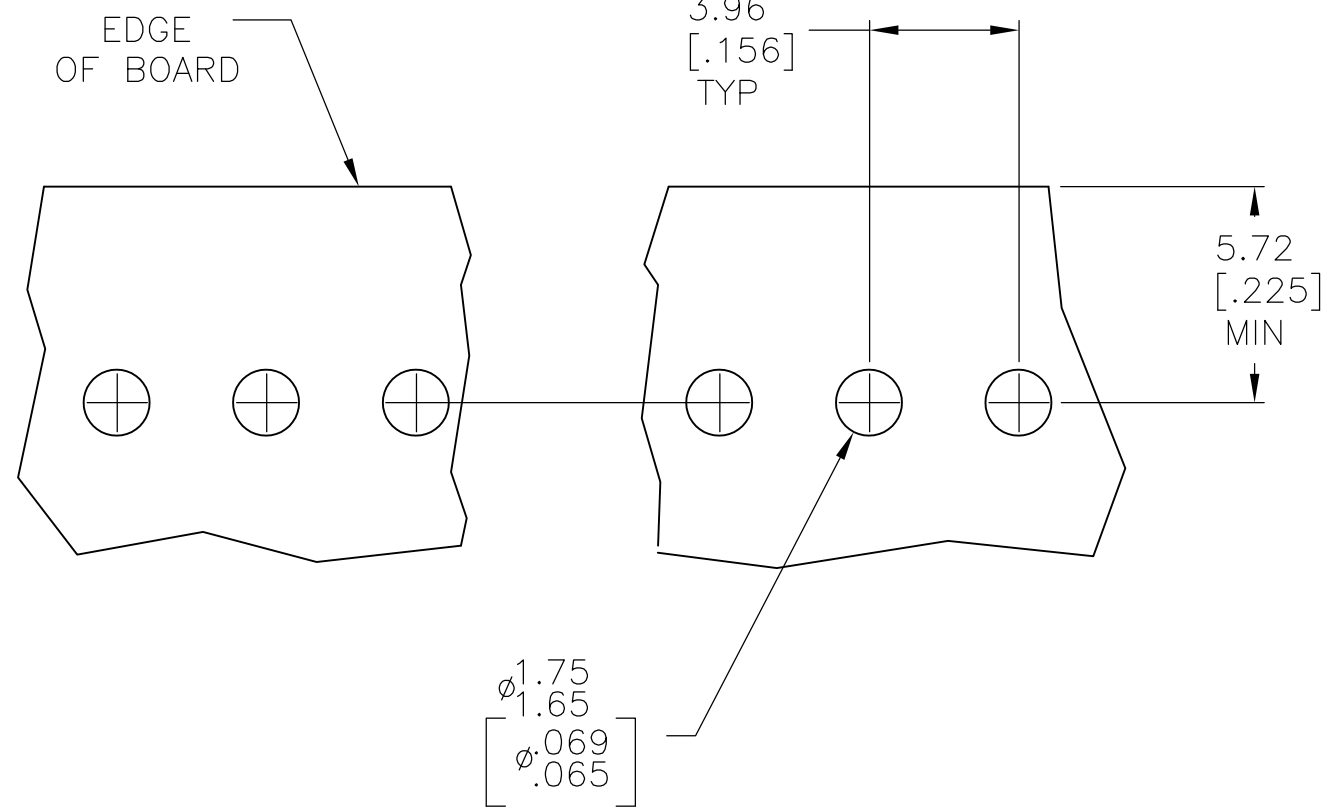
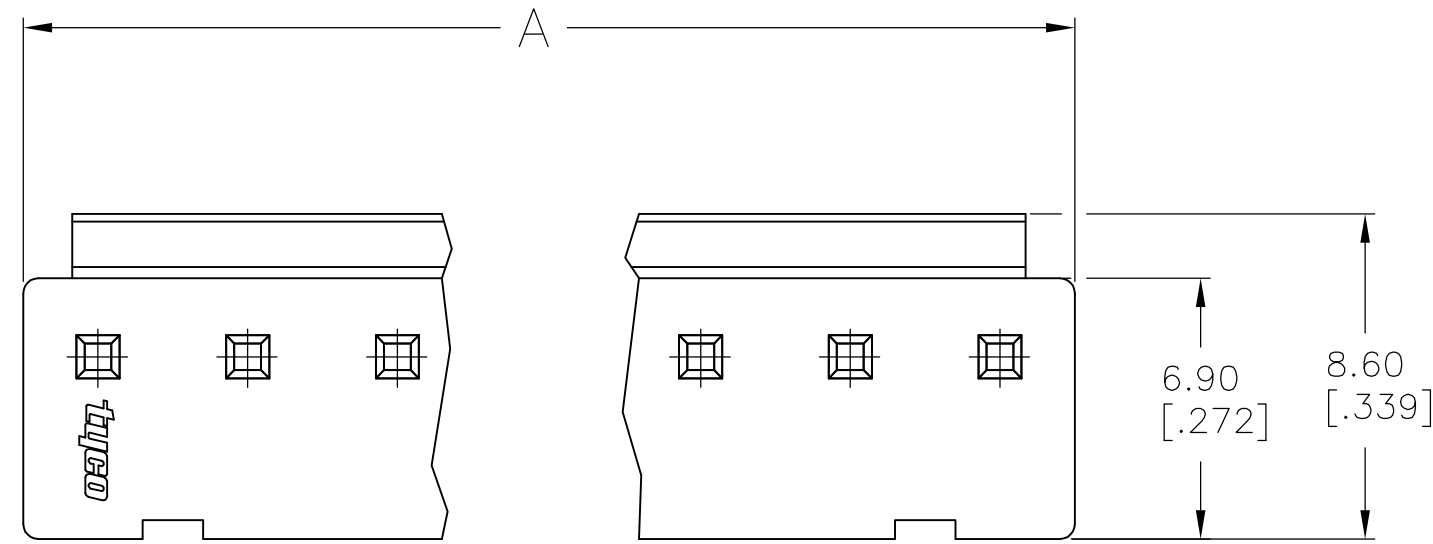


THIS DRAWING IS UNPUBLISHED. RELEASED FOR PUBLICATION
 © COPYRIGHT BY TYCO ELECTRONICS CORPORATION. ALL RIGHTS RESERVED.

LOC		DIST		REVISIONS			
P	LTR	DESCRIPTION		DATE	DWN	APVD	
GP	00	D		REVISED PER ECO-09-017647	29OCT2009	CR	CR



- HOUSING MATERIAL: LCP, 20% GLASS FILLED
COLOR: BLACK
- CONTACT MATERIAL: BRASS
- CONTACT PLATING: 0.002[.000080] MIN TIN OVER
0.001[.000039] MIN NICKEL.
- RATED FOR USE WITH IR REFLOW SOLDER
PROCESSING UP TO 280° C FOR 10 SECONDS MAX.

11	43.56	[1.715]	1-1744055-1
10	39.60	[1.559]	1-1744055-0
9	35.64	[1.403]	1744055-9
8	31.68	[1.247]	1744055-8
7	27.72	[1.091]	1744055-7
6	23.76	[.935]	1744055-6
5	19.80	[.780]	1744055-5
4	15.84	[.624]	1744055-4
3	11.88	[.468]	1744055-3
2	7.92	[.312]	1744055-2
NUMBER OF POSITIONS	mm	[IN]	PART NUMBER
	DIM A ±0.30		

THIS DRAWING IS A CONTROLLED DOCUMENT.		DWN S. HOOVER 01APR04	Tyco Electronics Corporation Harrisburg, Pa 17105-3608	
DIMENSIONS: mm [INCHES]		CHK J. ELLIS 01APR04	NAME HEADER ASSEMBLY-ECONOMY POWER VERTICAL, HIGH TEMPERATURE	
TOLERANCES UNLESS OTHERWISE SPECIFIED: 0 PLC ± - 1 PLC ± - 2 PLC ± - 3 PLC ± 0.13 [.005] 4 PLC ± - ANGLES ± -		APVD J. ELLIS 01APR04	DRAWING NO A2 00779 C=1744055	
MATERIAL SEE NOTES		PRODUCT SPEC -	SCALE 5:1	RESTRICTED TO -
FINISH -		APPLICATION SPEC -	SHEET 1 OF 1	REV D
CUSTOMER DRAWING		WEIGHT -		

单击下面可查看定价，库存，交付和生命周期等信息

[>>TE Connectivity\(泰科\)](#)