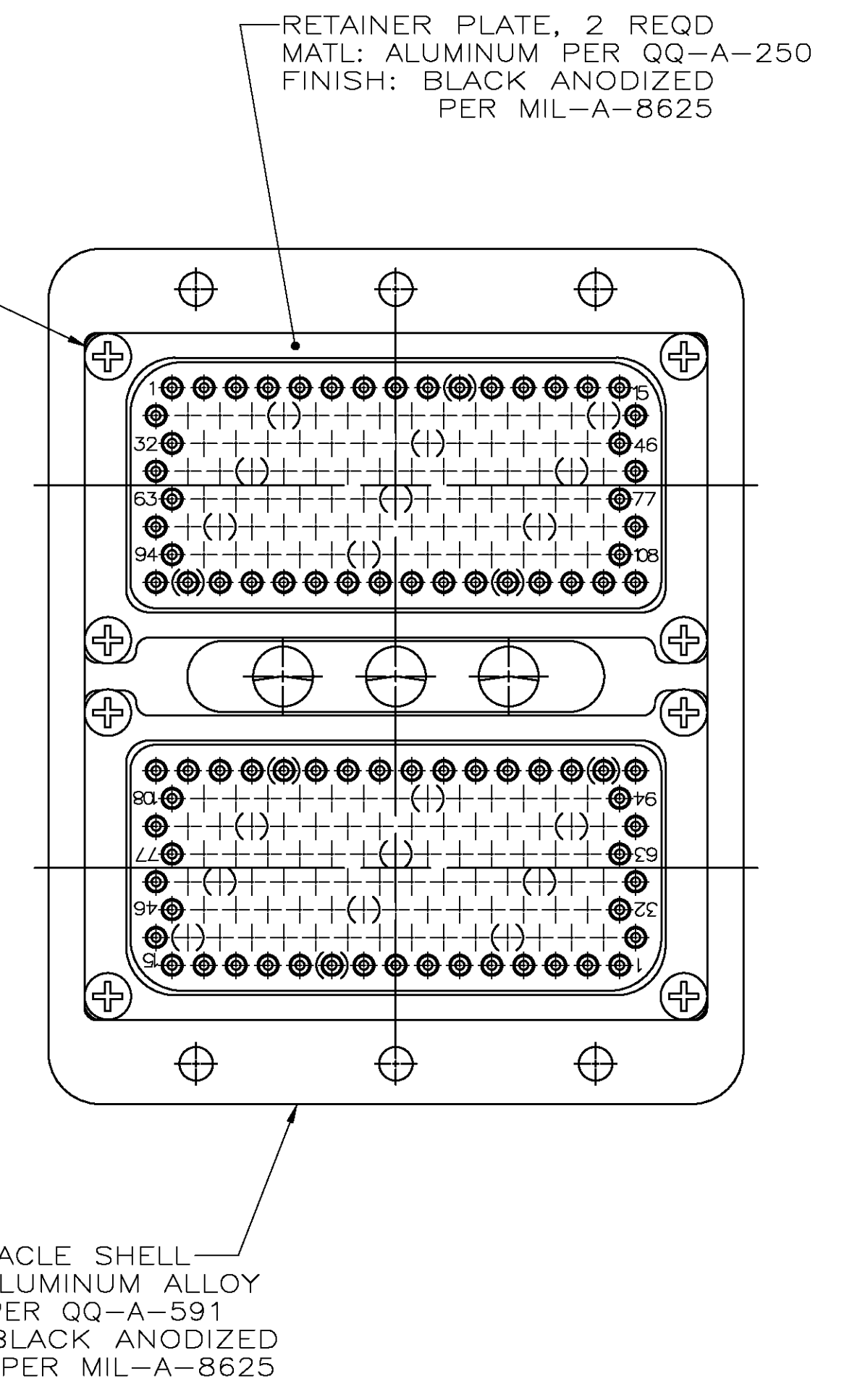
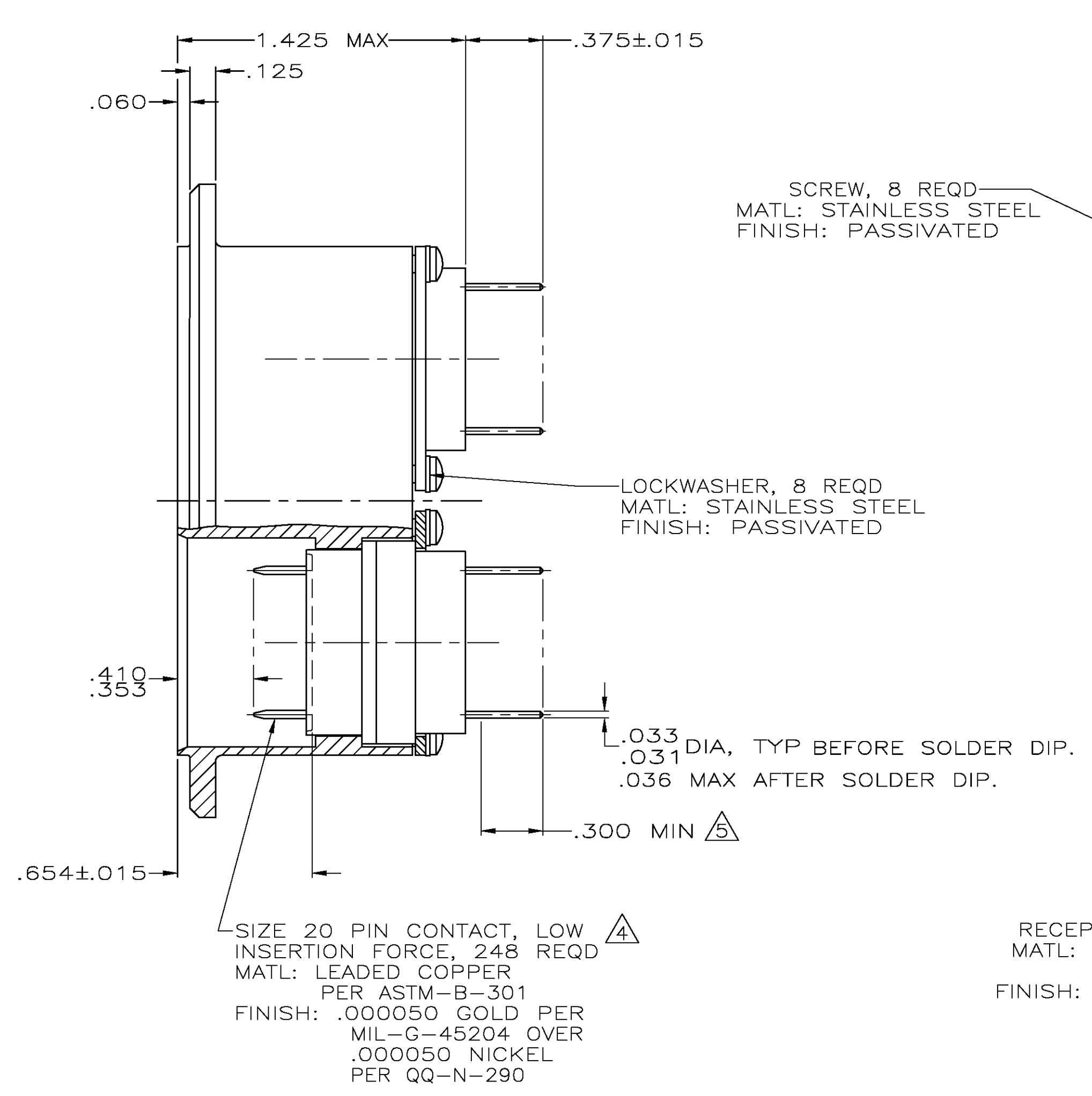
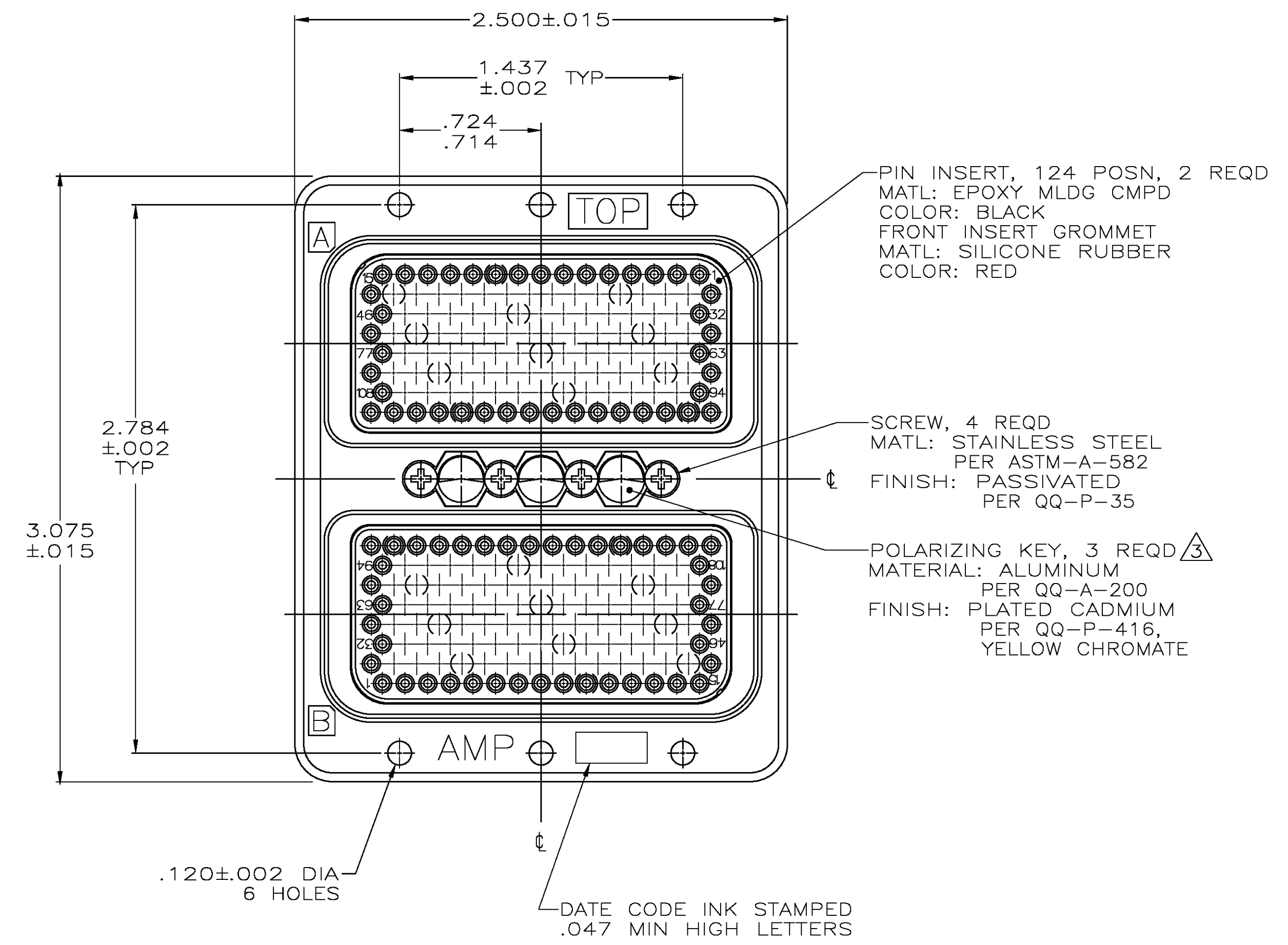
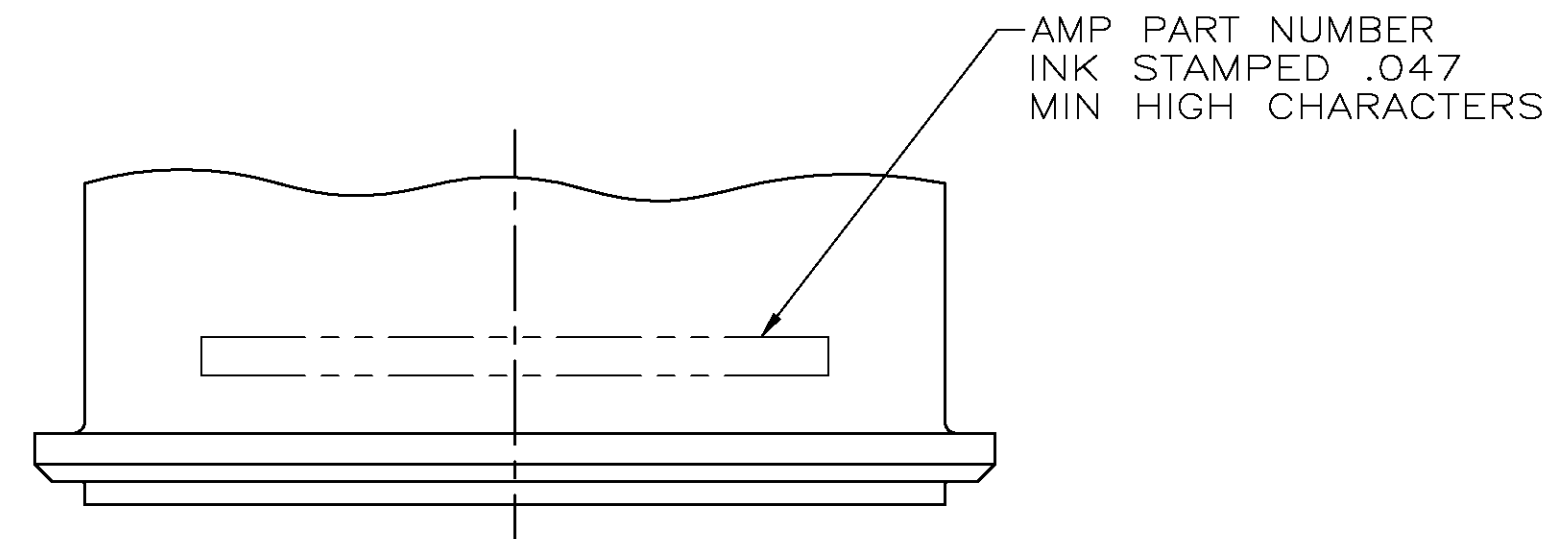


REVISIONS				
P	LTR	DESCRIPTION	DATE	DMN APVD
C		REV PER ECO 17-008102	7-19-17	CT EO

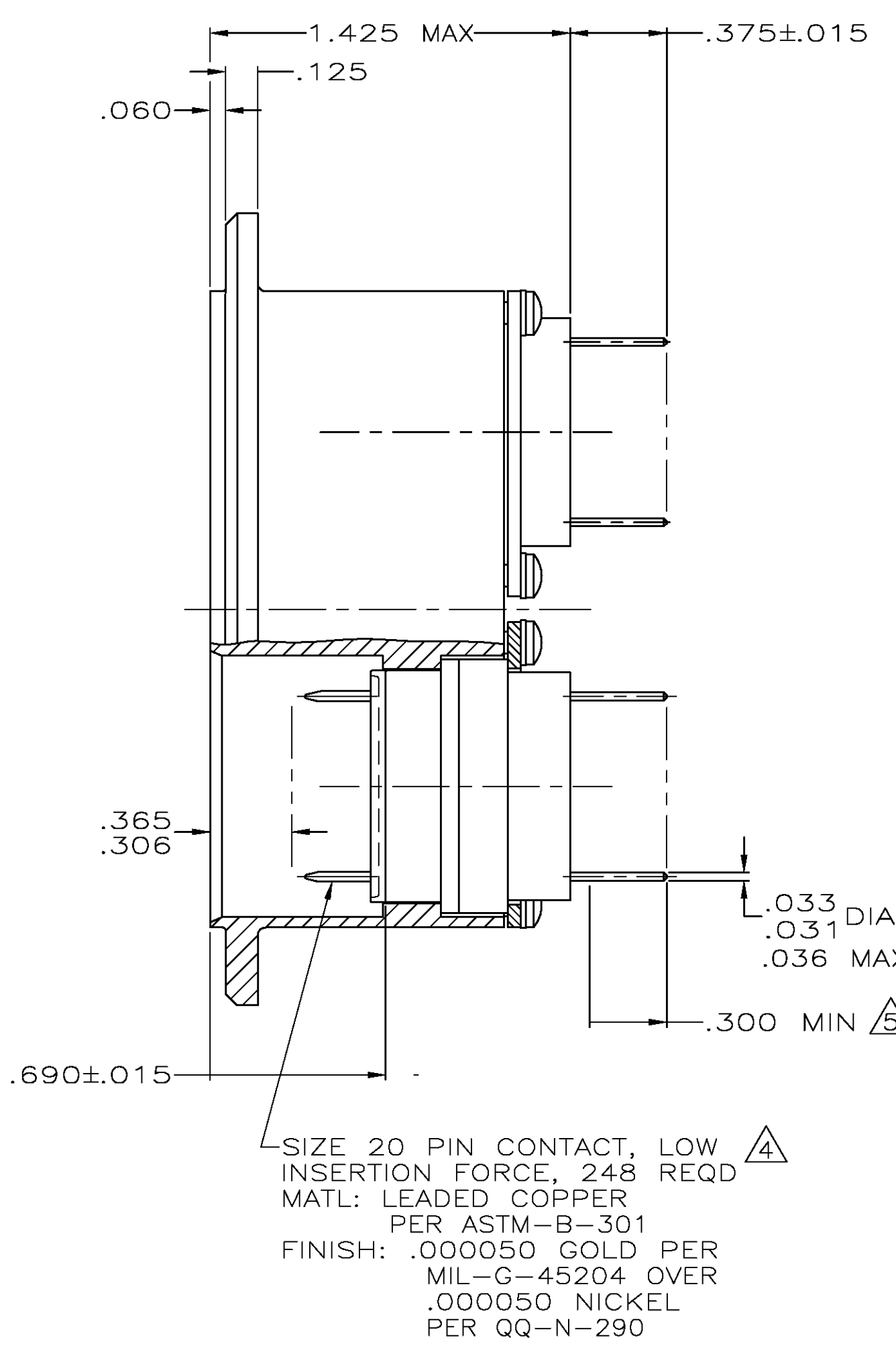
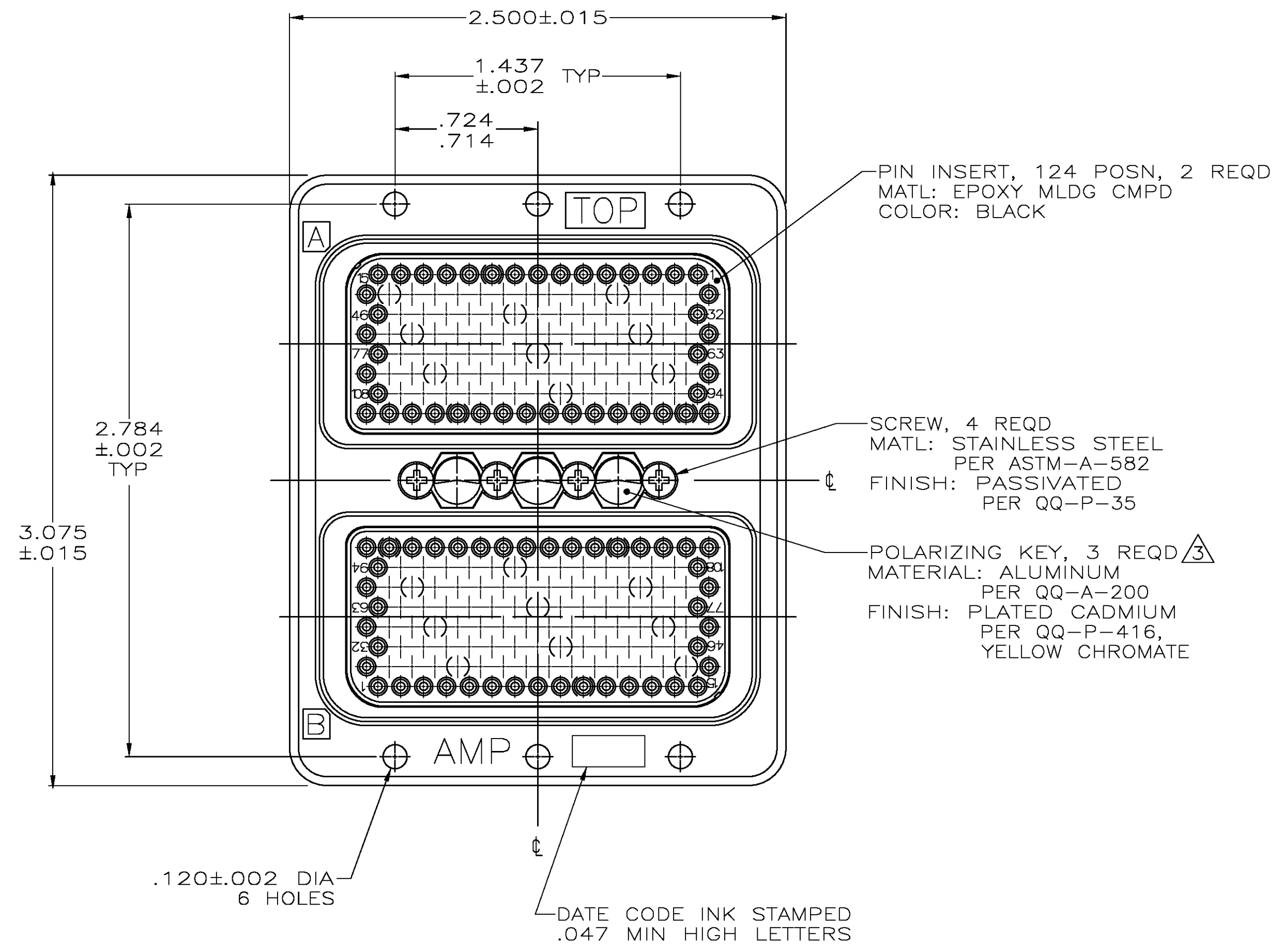
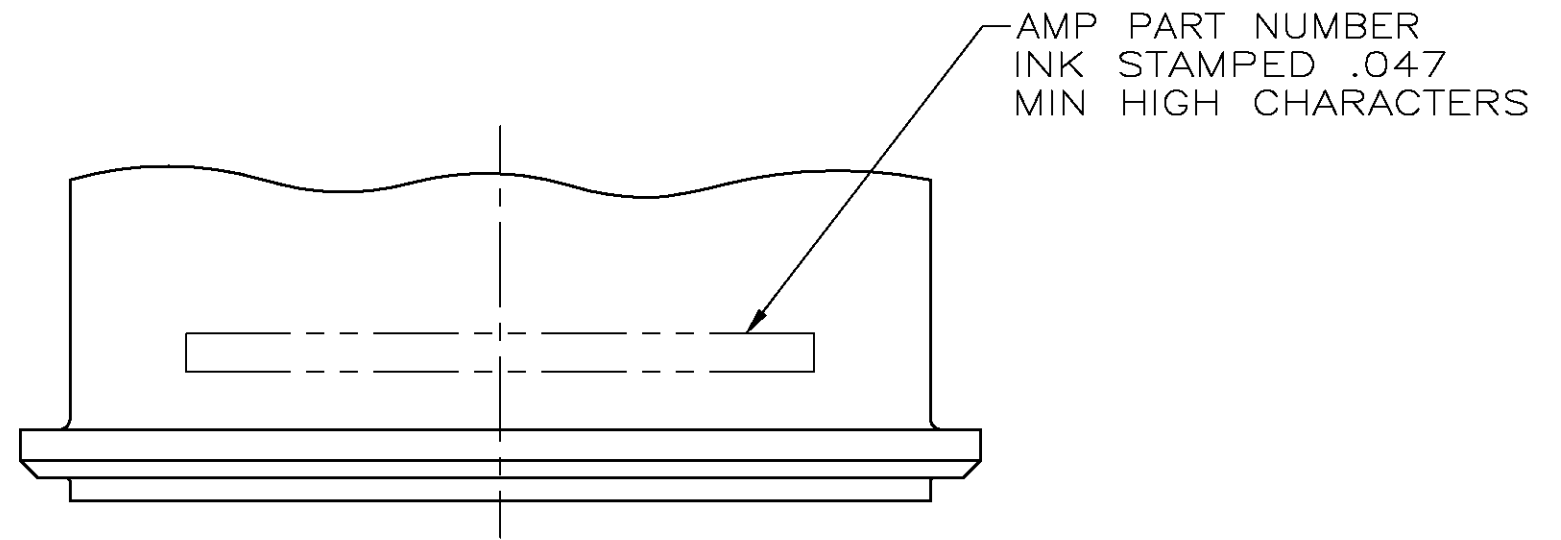


- THIS CONNECTOR MEETS ALL APPLICABLE SPECIFICATIONS OF MIL-C-81659.
- CONTACTS ARE RELEASED AND REMOVED FROM FRONT (MATING FACE) OF CONNECTOR.
- Δ POLARIZING KEYS ARE ASSEMBLED IN POSITION 01.
- Δ REPLACEMENT SOLDER DIPPED PIN CONTACT PART NUMBER IS 445544-3.
- Δ CONTACT TAILS ARE SOLDER DIPPED OVER THIS LENGTH.
- Δ REPLACEMENT SOLDER DIPPED PIN CONTACT PART NUMBER IS 445914-3.
- Δ 445531-3 IS VAPOR PHASE SOLDERABLE.

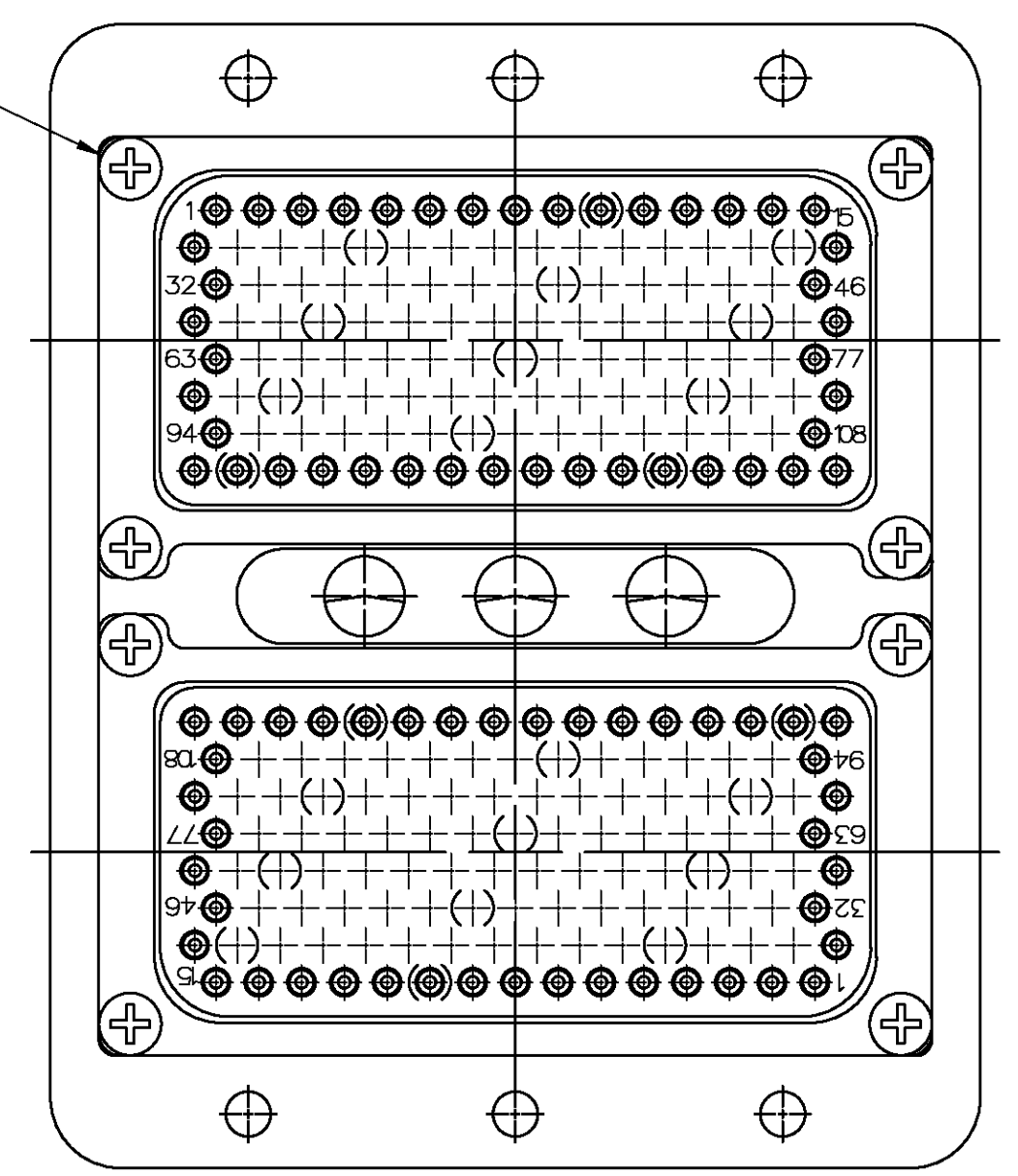
SEE SHEET #2	Δ 445531-3
OBsolete AS SHOWN; SHEET #1	445531-1
DESCRIPTION	PART NO

THIS DRAWING IS A CONTROLLED DOCUMENT.		DMN B.YOHN 8-25-88	APVD B.YOHN 8-25-88	NAME
DIMENSIONS: INCHES	TOLERANCES UNLESS OTHERWISE SPECIFIED:	PRODUCT SPEC		
0 PL ± -	1 PL ± -	APPLICATION SPEC		
2 PL ± -	3 PL ± .005	SIZE	CAGE CODE	DRAWING NO
4 PL ± -	ANGLES ± -	WEIGHT	A1	00779
MATERIAL SEE CALLOUTS	FINISH SEE CALLOUTS	CUSTOMER DRAWING	SCALE	2:1
		SHEET	1	OF 2
		REV		C

REVISIONS				
P	LTR	DESCRIPTION	DATE	APPD
-	-	SEE SHEET 1	-	-



SCREW, 8 REQD
 MATL: STAINLESS STEEL
 FINISH: PASSIVATED



AS SHOWN SHEET #2	445531-3
SEE SHEET #1	445531-1
DESCRIPTION	PART NO

THIS DRAWING IS A CONTROLLED DOCUMENT.

DIMENSIONS: INCHES	TOLERANCES UNLESS OTHERWISE SPECIFIED: 0 PLC ± - 1 PLC ± - 2 PLC ± - 3 PLC ± .005 4 PLC ± - ANGLES ± -	DIN 8-25-88 BYOHN CHK 8-25-88 BYOHN APVD	NAME DUAL RECEPTACLE CONNECTOR ASSEMBLY, ARINC 404, SIMILAR TO AD2R124P124P-6001
MATERIAL SEE CALLOUTS	FINISH SEE CALLOUTS	WEIGHT -	SIZE A1 CAGE CODE 00779 DRAWING NO C=445531 RESTRICTED TO
CUSTOMER DRAWING		SCALE 2:1	SHEET 2 OF 2 REV C

TE Connectivity

单击下面可查看定价，库存，交付和生命周期等信息

[>>TE Connectivity\(泰科\)](#)