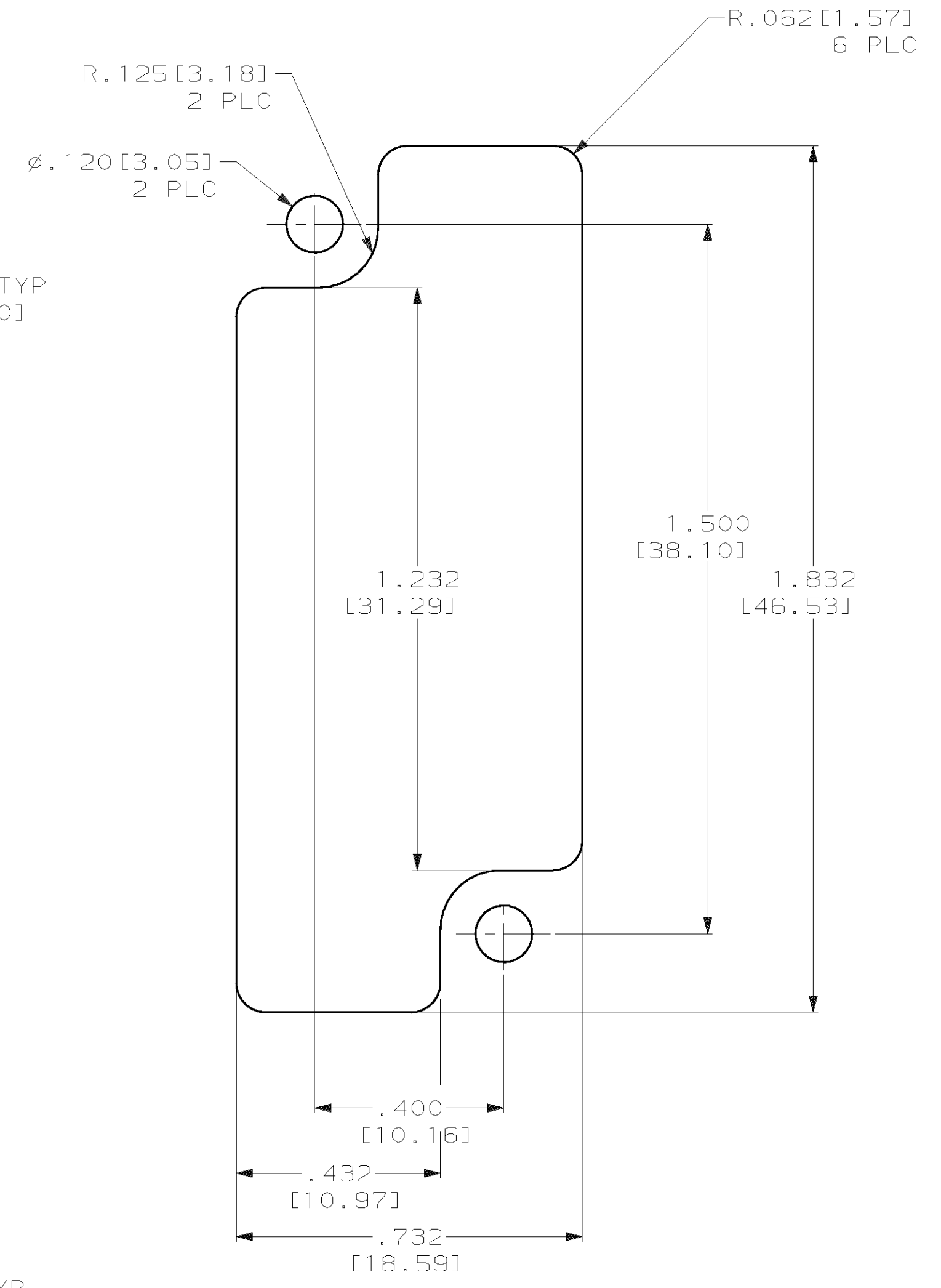
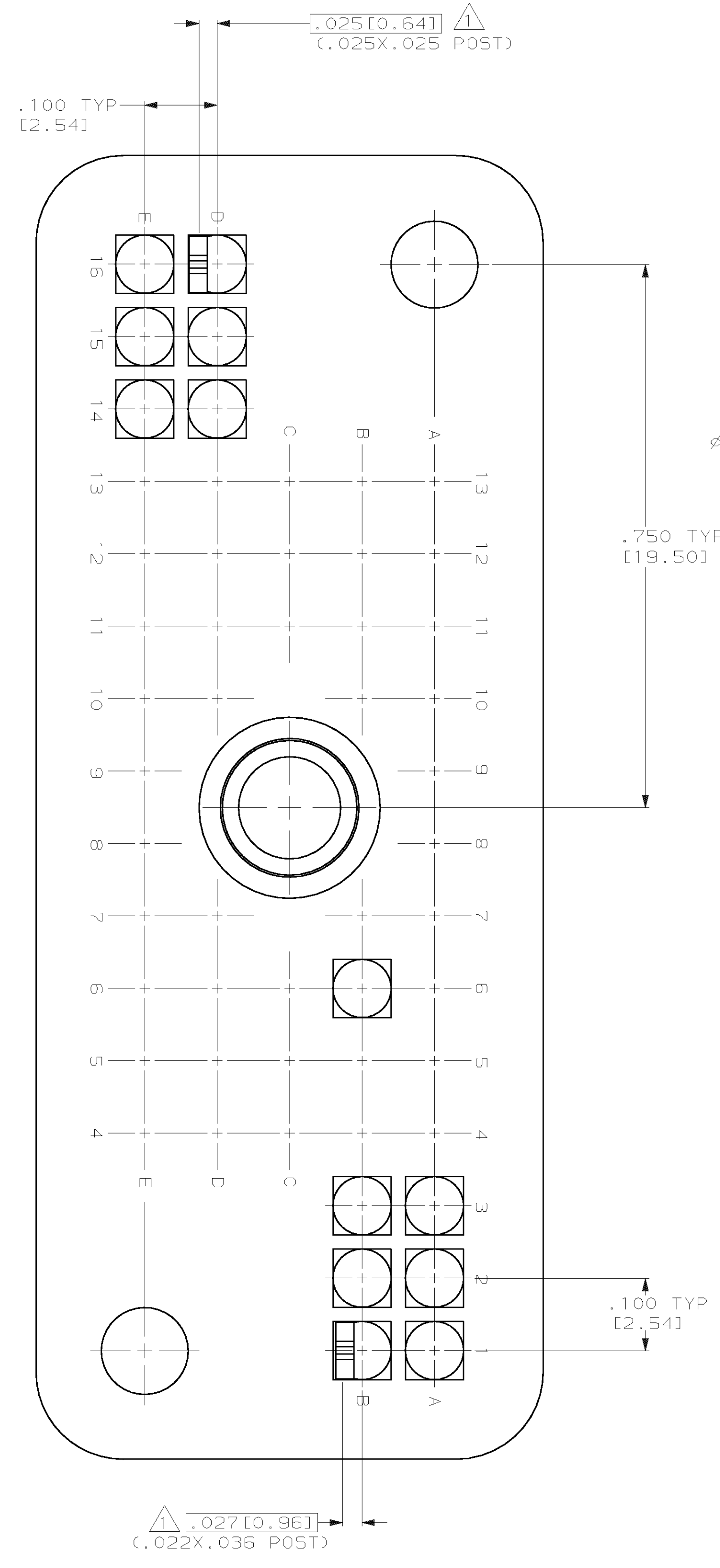
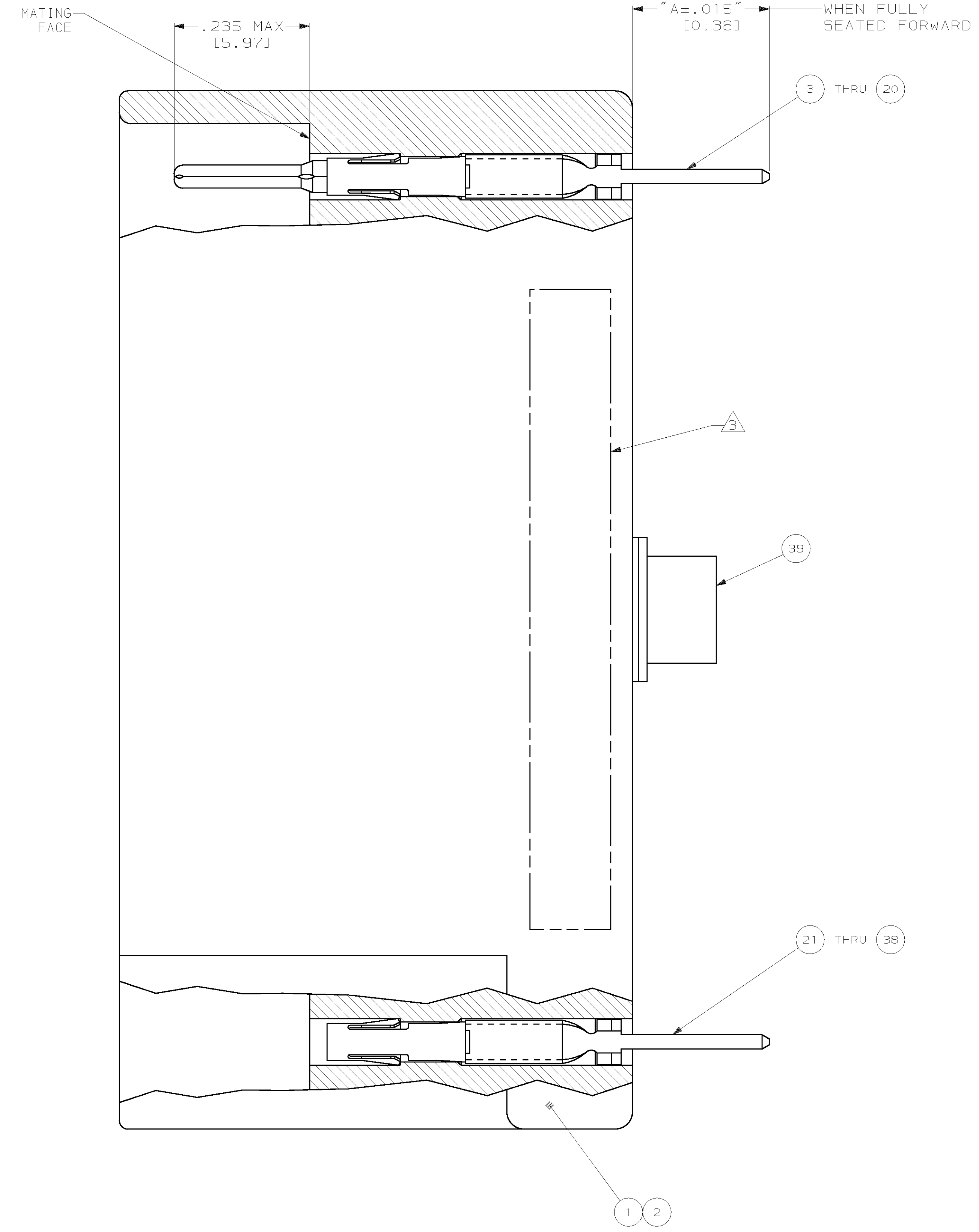


REV. NO.		DATE		BY		APPROVED	
DF	CO	M	7-02	CT	JM		

- 1. THE TIP OF THE CONTACT POSTS WILL FALL WITHIN .025 DIAMETER TRUE POSITION OF EACH OTHER.
- 2. PARTS TO BE ASSEMBLED BY AMP INC.
- 3. AMP, PART NUMBER AND DATE CODE MARKED ON EITHER SIDE.



SUGGESTED PANEL CUTOUT
SCALE 4:1

"A"	NUMBER OF TERMINATIONS	TYPE OF POST
.520 [13.21]	3	.022X.036 POST
.370 [9.40]	2	
.220 [5.59]	1	.025X.025 POST
.670 [17.02]	3	
.456 [11.58]	2	
.242 [6.15]	1	

AMP Incorporated
Harrisburg, PA 17105-3608

54 POSITION, HDR, RECEPTACLE W/ JACKSCREW

AMP 00779 C=204690

SCALE 8:1 SHEET 13 OF 13

单击下面可查看定价，库存，交付和生命周期等信息

[>>TE Connectivity\(泰科\)](#)