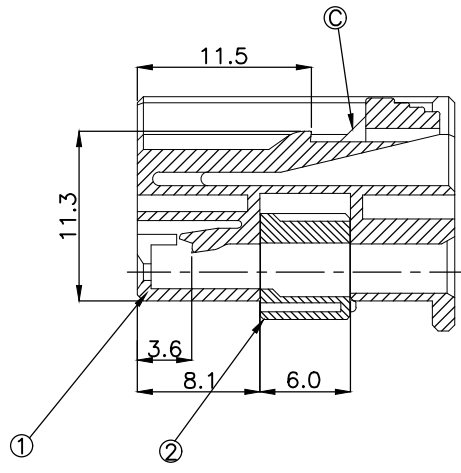
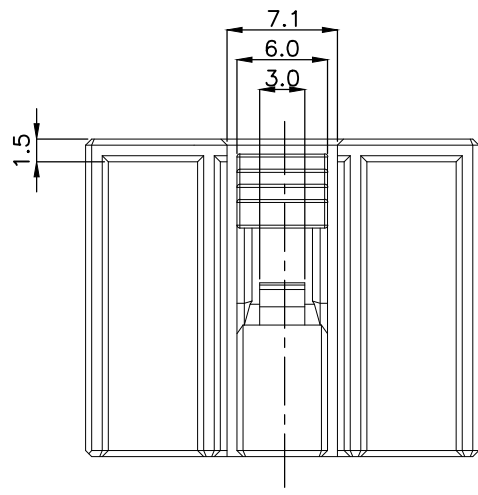
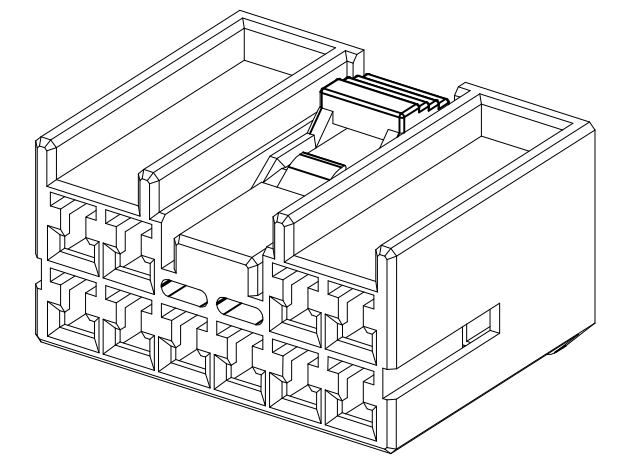


REVISIONS					
P	LTR	DESCRIPTION	DATE	DWN	APVD
C1		REVISED ECR-20-006447	15JUL2020	VI	SPB

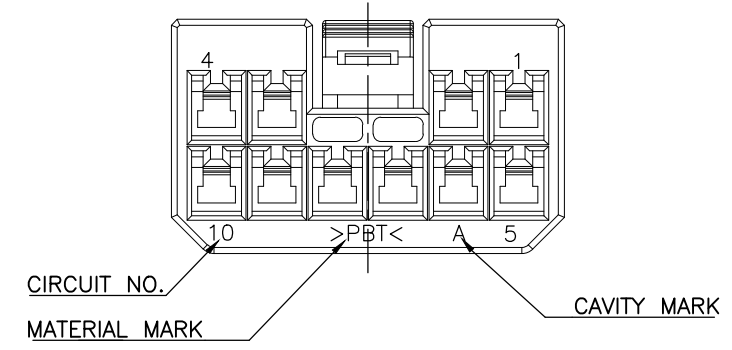
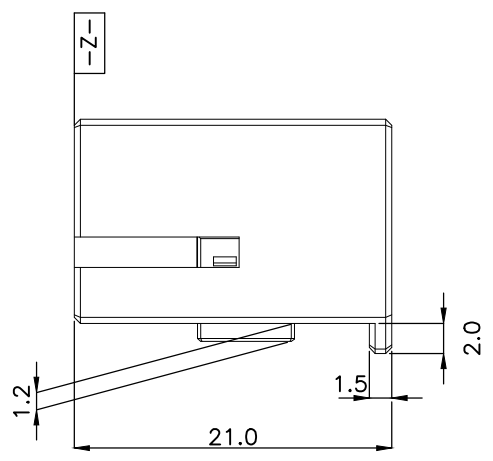
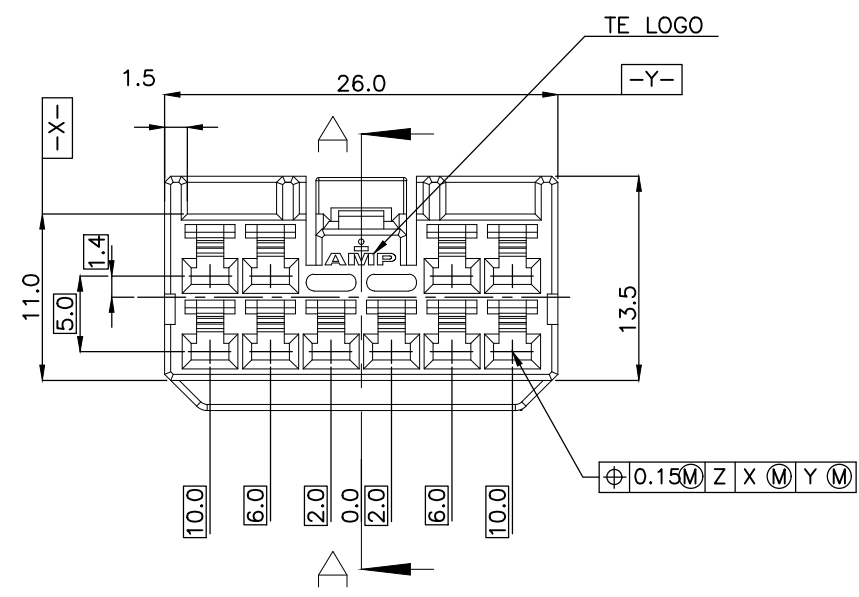


SECTION A-A



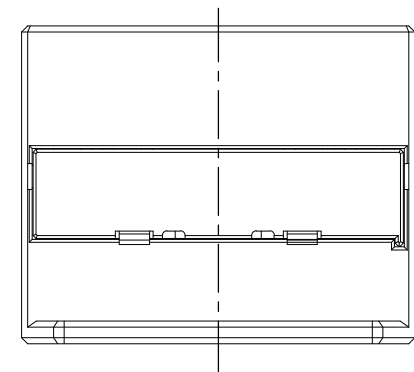
- NOTES.
- THE MATING HSG. P/N ; 936129
  - APPLIED CONTACT P/N ;  
 090 II REC. - 368083, 368084, 368085  
 090 III REC. - 1743654, 1743655, 1743656, 1897753, 1897598

- 주기-
- 상대 하우징 P/N. ; 936129
  - 적용단자 P/N. ; 090 II REC.- 368083, 368084, 368085  
 090 III REC.- 1743654, 1743655, 1743656, 1897753, 1897598



NO	COLOR	MATERIAL	DESCRIPTION	P/N	QTY
1	BLUE	PBT	PLUG	0-936093-8	1
	YELLOW	PBT	PLUG	0-936093-5	1
	BROWN	PBT	PLUG	0-936093-4	1
	D/GRAY	PBT	PLUG	0-936093-3	1
	BLACK	PBT	PLUG	0-936093-2	1
	NATURAL	PBT	PLUG	0-936093-1	1
2	NATURAL	PBT	DBL	0-936094-1	1 1 1 1 1 1

OBsolete



TOLERANCES UNLESS OTHERWISE SPECIFIED:

0 <XX<10	± 0.2
10<XX<30	± 0.25
30<XX	± 0.3
ANGLES	± 3°

THIS DRAWING IS A CONTROLLED DOCUMENT.

DIMENSIONS: mm	TOLERANCES UNLESS OTHERWISE SPECIFIED:
	0 PLC ± -
	1 PLC ± -
	2 PLC ± -
	3 PLC ± -
	4 PLC ± -
	ANGLES ± -
MATERIAL SEE TABLE	FINISH -

DWN SJ CHOI	CHK JW JUNG	APVD HG CHO	PRODUCT SPEC	APPLICATION SPEC	WEIGHT 0	SIZE A3	CAGE CODE 00779	DRAWING NO C-936092	RESTRICTED TO
<p>090III 10P PLUG ASS'Y</p>				CUSTOMER DRAWING		SCALE 1:1	SHEET 1 OF 1	REV C1	

单击下面可查看定价，库存，交付和生命周期等信息

[>>TE Connectivity\(泰科\)](#)