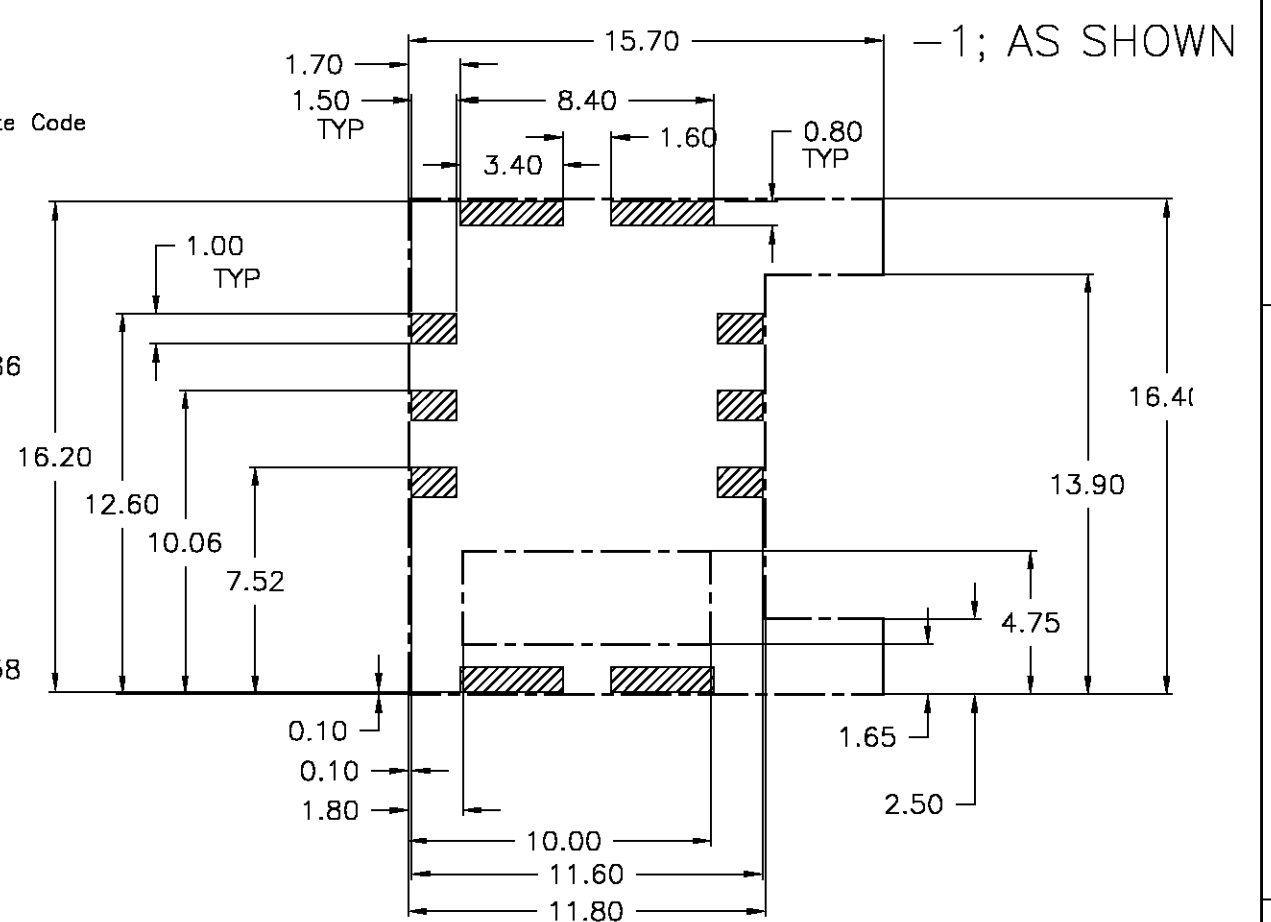
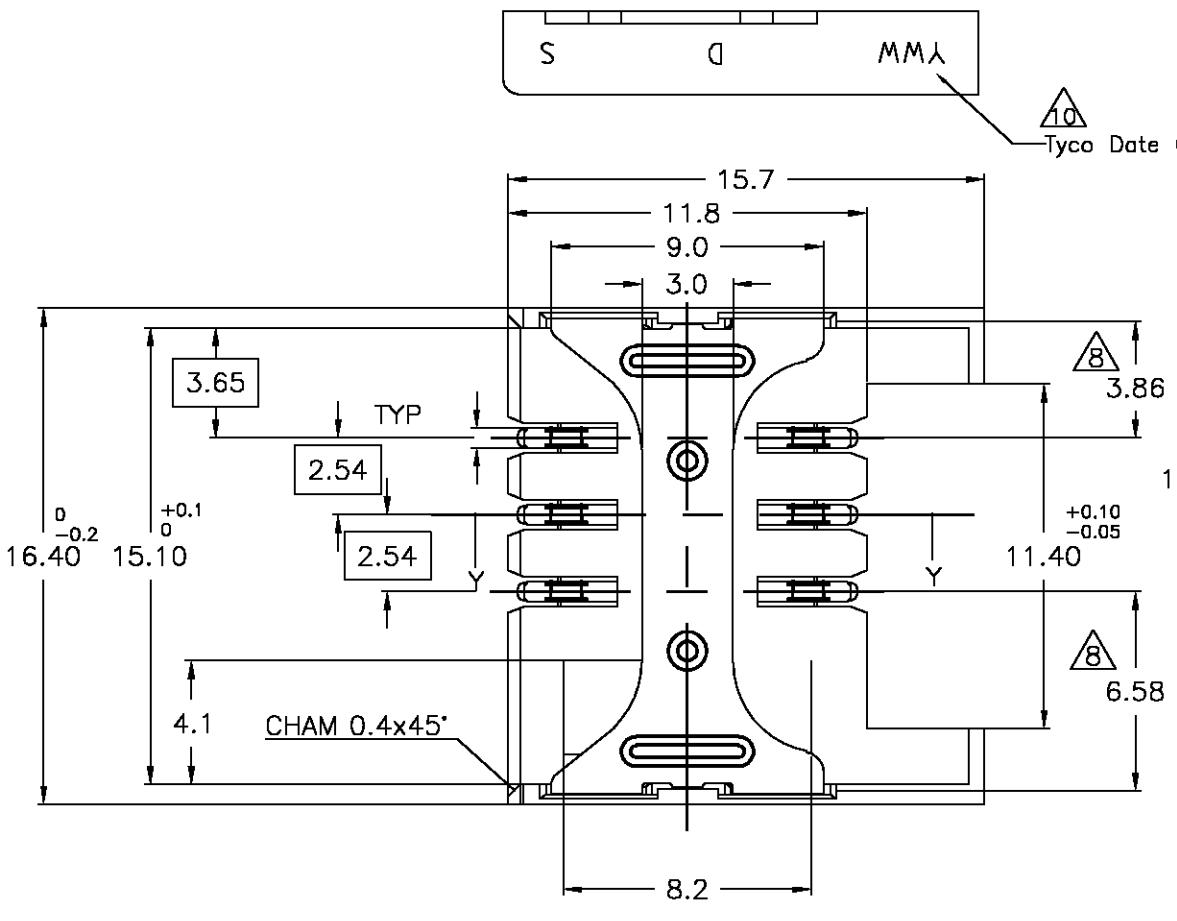
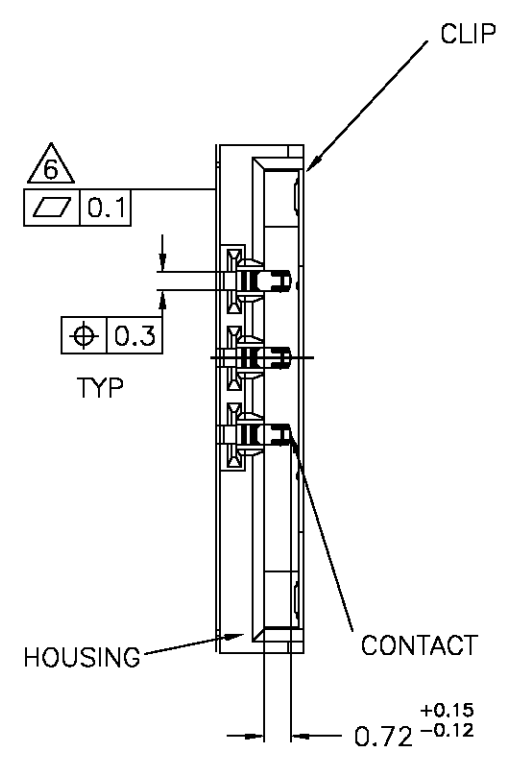
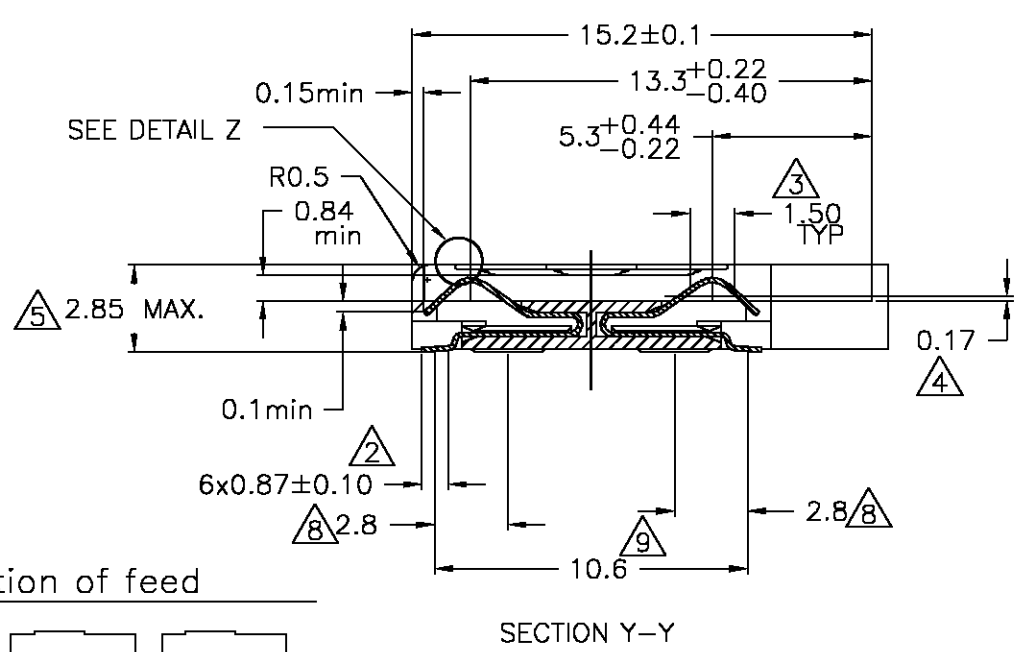
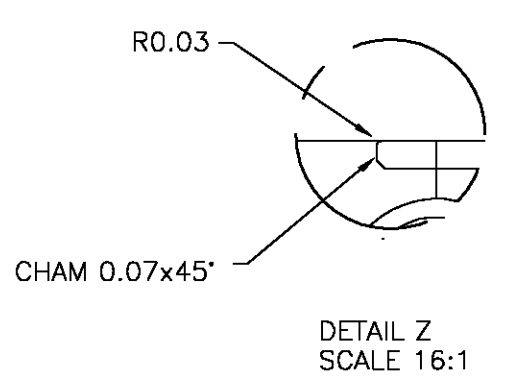


THIS DRAWING IS UNPUBLISHED. RELEASED FOR PUBLICATION 26JUL, 2002.  
 © COPYRIGHT 2002 BY TYCO ELECTRONICS CORPORATION. ALL RIGHTS RESERVED.

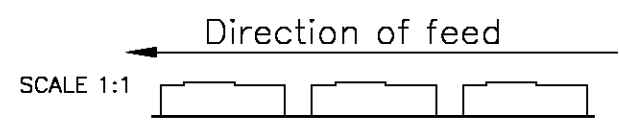
LOC	DIST	REVISIONS				
		P	LTR	DESCRIPTION		
J	-	D2	REVISED	-		
				DATE	DWN	APVD
				06APR2005	C.O	T.K



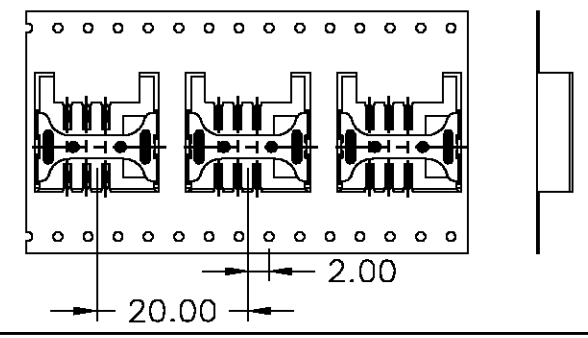
RECOMMENDED PCB LAYOUT



- △ MATERIAL: HOUSING : THERMO PLASTIC RESIN  
CONTACT AND CLIP: COPPER ALLOY  
PLATING; CONTACT SPRING PLATED COMPLETELY 1.5-1.8micron meter N
- △ IN THIS ZONE PLATED min 3 micron meter SnPb.
- △ IN THIS ZONE PLATED min 0.2 micron meter Au over min 1 Um Pd or PdNi.
- △ WHEN CONTACT IS COMPRESSED TO THIS HEIGHT  
SPRING FORCE min 0.3N-0.7N
- △ OVERALL DIMENSION.
- △ COPLANARITY MEASURED 6 CONTACTS AND TWO PEGS
- △ 7 PACKAGING SPECIFICATION: 107-60193
- △ DIMENSION FROM CENTER OF CONTACT TO CENTER OF CLIP PEG.
- △ DIMENSION FROM LEFT CONTACT TO RIGHT CONTACT
- △ TYCO DATE CODE LOCATED AT OPPOSITE OF GATING SIDE  
Y=YEAR; W=WEEK; D=DAY; S=SHIFT



Packaging: tape & reel (1:1)  
 Tape width: 32  
 Tape material: PS black conductive  
 Cavity pitch: 20  
 Reel diameter: 360  
 Components / reel: 1000  
 Five reels packed in a box  
 Packaging specification: 107-60193



THIS DRAWING IS A CONTROLLED DOCUMENT.		DWN C.OHASHI 22JUL2002	Tyco Electronics AMP K.K. Kawasaki, Japan	
DIMENSIONS: 単位: 桁 MM		CHK K.IKEGAMI 24JUL2002	NAME K.KODAIRA	
TOLERANCES UNLESS OTHERWISE SPECIFIED: 一般公差		APVD K.KODAIRA 24JUL2002	PRODUCT SPEC 製品規格 108-5826	
0 PLC ± - 1 PLC ± 0.1 2 PLC ± 0.06 3 PLC ± - 4 PLC ± - ANGLES ± 2'		APPLICATION SPEC 取付適用規格 -		
MATERIAL 材料	FINISH 仕上	WEIGHT 0.6g	SIZE A3	CAGE CODE 00779
△ 1		DRAWING NO 番号 C-1612586		RESTRICTED TO -
△ 1 △ 2 △ 3		CUSTOMER DRAWING		SCALE 尺度 4:1
		SHEET 1 OF 1		REV D2

单击下面可查看定价，库存，交付和生命周期等信息

[>>TE Connectivity\(泰科\)](#)