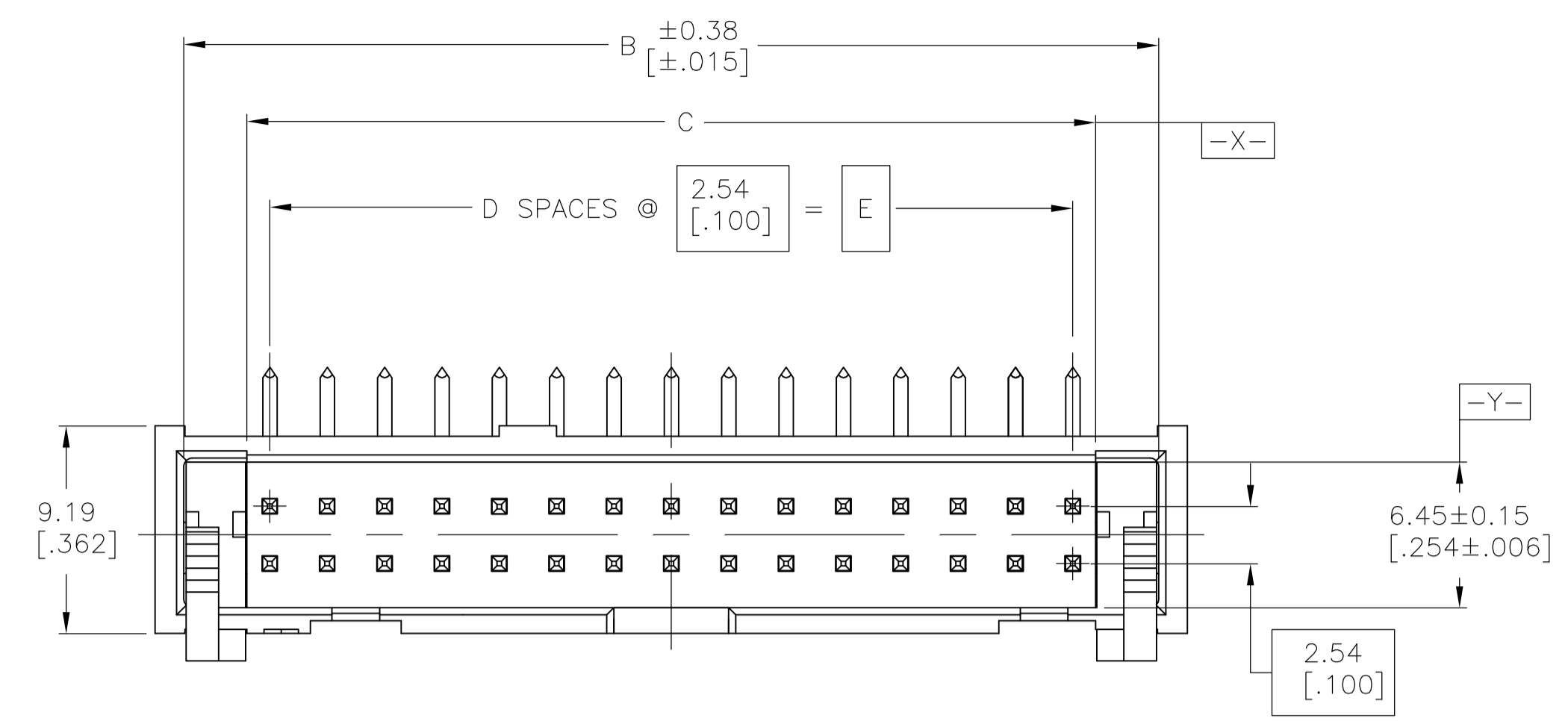
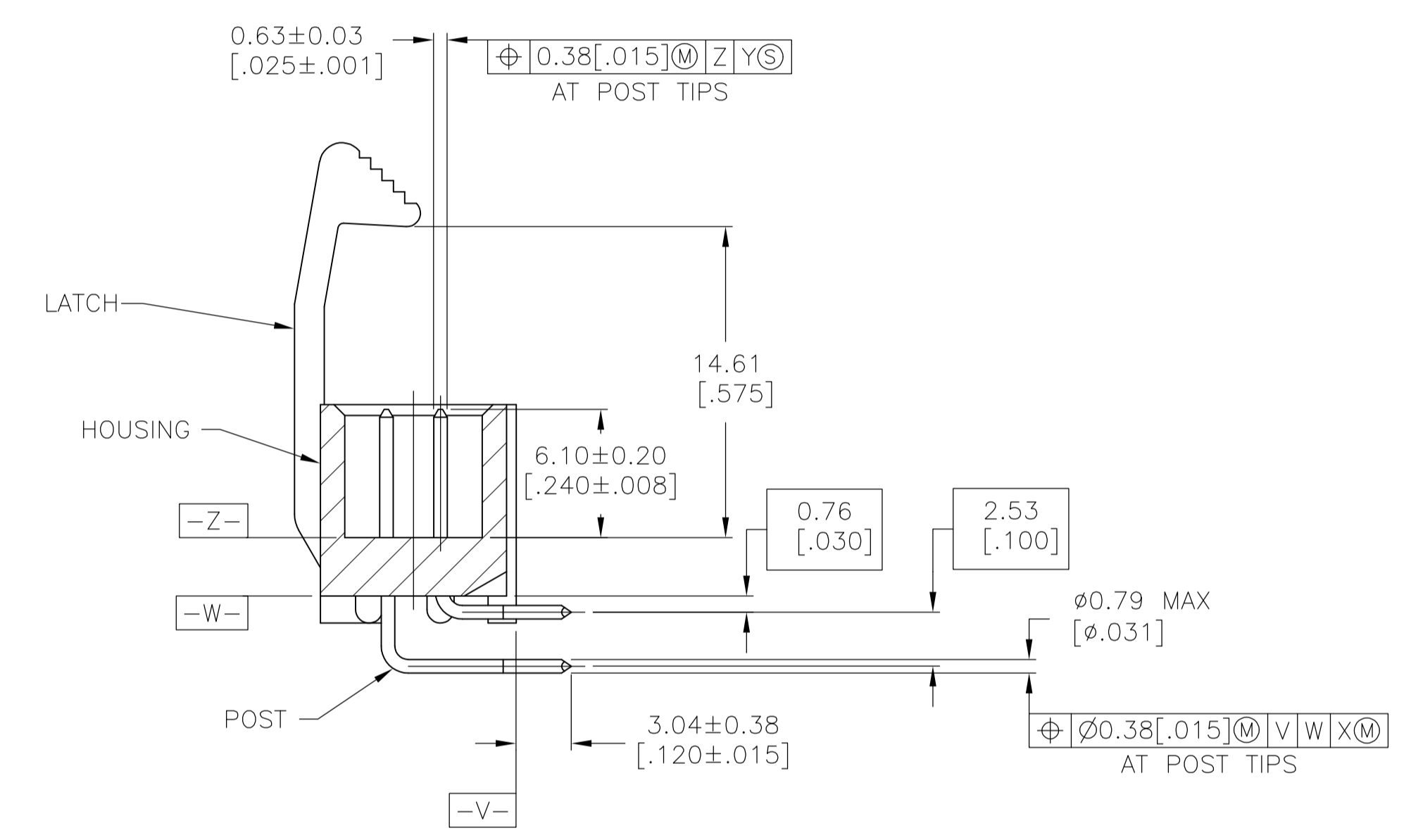
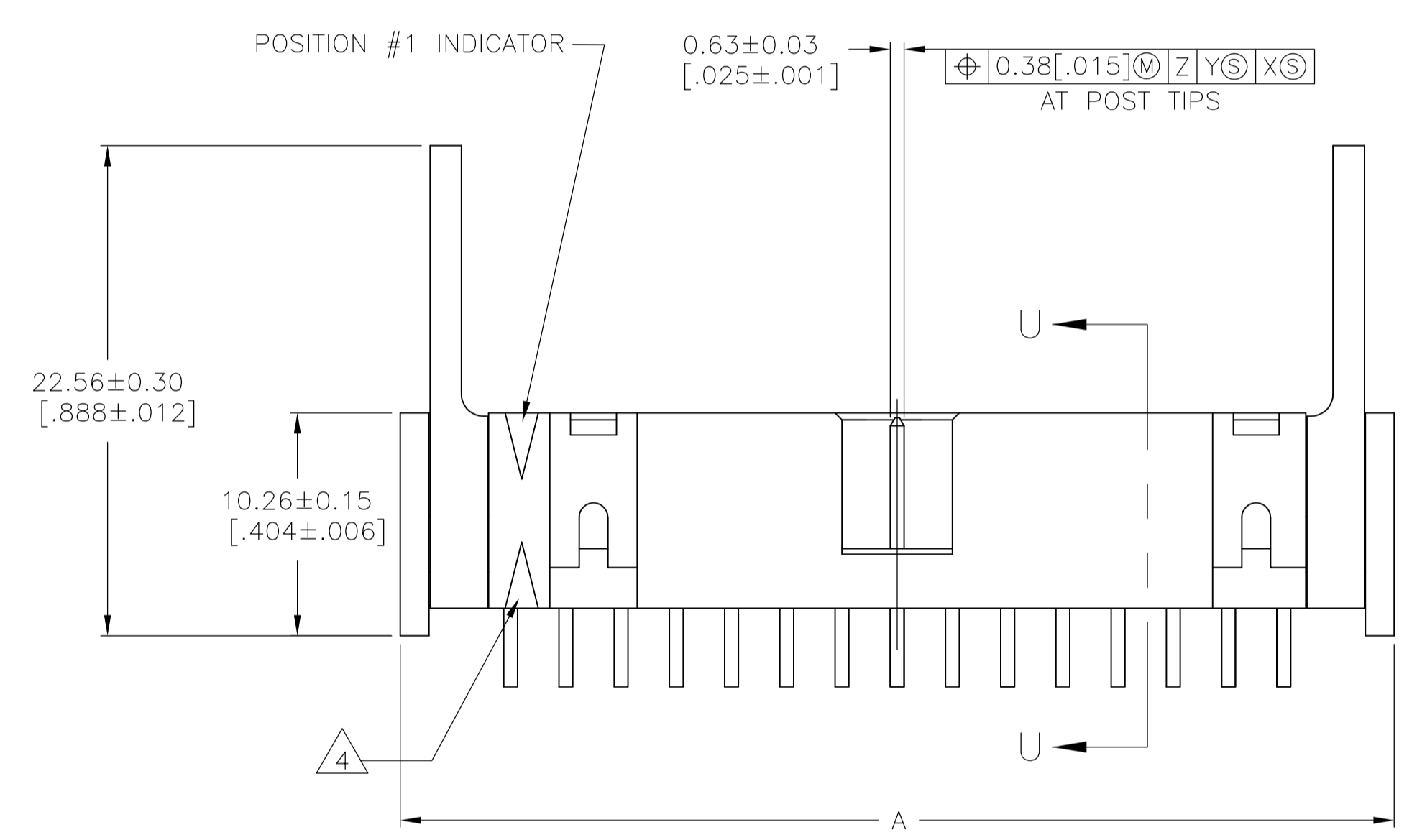


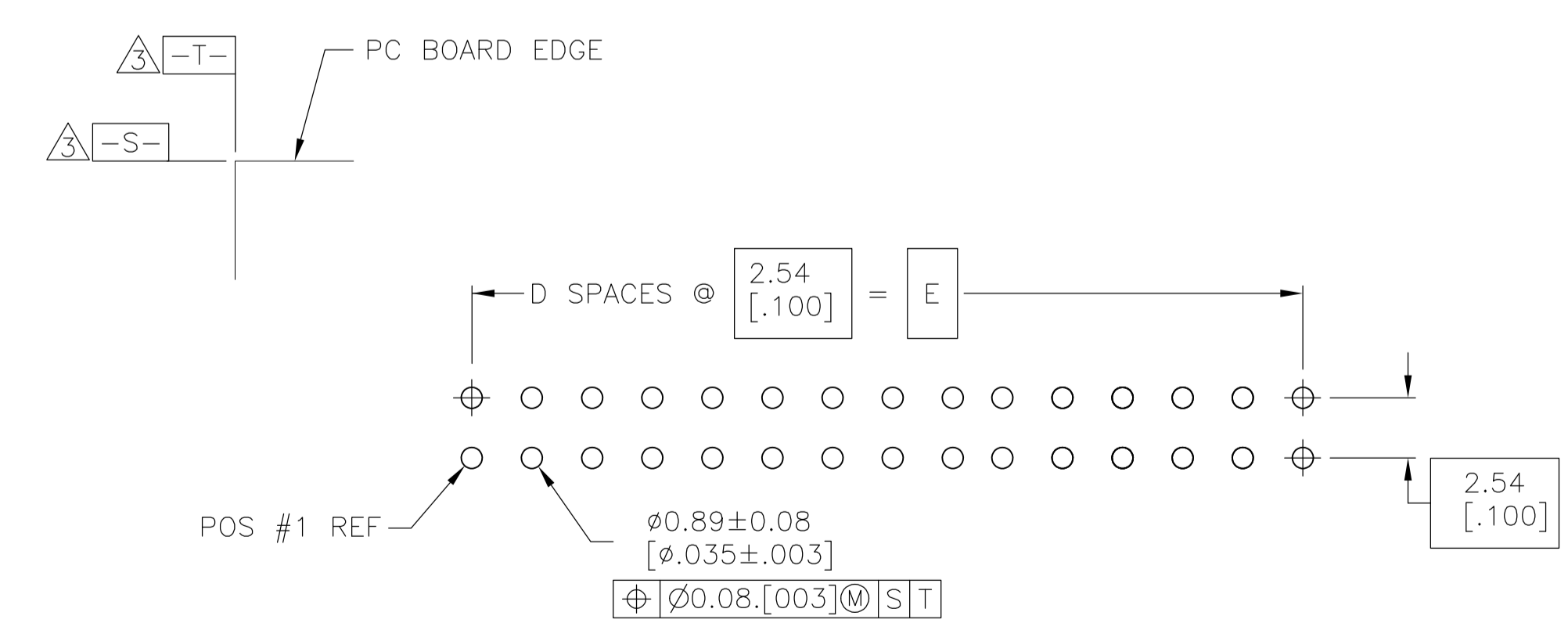
LOC		DIST		REVISIONS				
GP	00	REV	BY	DESCRIPTION	DATE	OWN	APPROV	
D		REVISED	PER	ECO-09-002944	19MAR2009	CR	SB	



- ⚠ HOUSING: PCT, UL94V-0, COLOR: BLACK
POSTS: PHOSPHOR BRONZE.
LATCHES: ZINC ALLOY.
- ⚠ POSTS: GOLD FLASH OVER PALLADIUM-NICKEL PLATE, 0.76 μ m [.000030] MIN TOTAL ON MATING AREA, 2.54 μ m [.000100] MIN TIN PLATE ON SOLDER-TAIL, ALL OVER 1.27 μ m [.000050] MIN NICKEL UNDERPLATE ON ENTIRE POST.
OR
0.76 μ m [.000030] MIN GOLD PLATE ON MATING AREA, 2.54 μ m [.000100] MIN TIN PLATE ON THE SOLDER-TAIL, 1.27 μ m [.000050] MIN NICKEL UNDERPLATE ON THE ENTIRE POST.
LATCHES: BLACK NICKEL OVER COPPER.
- ⚠ DATUMS S & T TO BE ESTABLISHED BY CUSTOMER.
- ⚠ ALTERNATE LOCATION/ORIENTATION FOR POSITION #1 INDICATOR



SECTION U-U



RECOMMENDED PC BOARD LAYOUT (VIEWED FROM CONNECTOR SIDE)

35.56 [1.400]	14	37.59 [1.480]	43.08 [1.696]	45.72 [1.800]	30	1761720-1
E	D	C	B	A	NO OF POS	PART NUMBER

THIS DRAWING IS A CONTROLLED DOCUMENT.		DIN 61 MCMASTER 06SEPOS		Tyco Electronics Corporation	
DIMENSIONS: mm [INCHES]		TOLERANCES UNLESS OTHERWISE SPECIFIED:		Tyco Electronics Corporation Harrisburg, PA 17105-3608	
0 PLC	\pm	0.13	0.13	NAME: M. WALMSLEY	
1 PLC	\pm	0.13	0.13	PRODUCT SPEC: ---	
2 PLC	\pm	0.13	0.13	APPLICATION SPEC: ---	
3 PLC	\pm	0.13	0.13	SIZE: A1	
4 PLC	\pm	0.13	0.13	CAGE CODE: 00779	
ANGLES	\pm	0.13	0.13	DRAWING NO: 1761720	
MATERIAL	FINISH	WEIGHT	RESTRICTED TO	CUSTOMER DRAWING	
		SCALE: 4:1		SHEET 1 OF 1	

单击下面可查看定价，库存，交付和生命周期等信息

[>>TE Connectivity\(泰科\)](#)