

4

3

2

1

THIS DRAWING IS UNPUBLISHED.

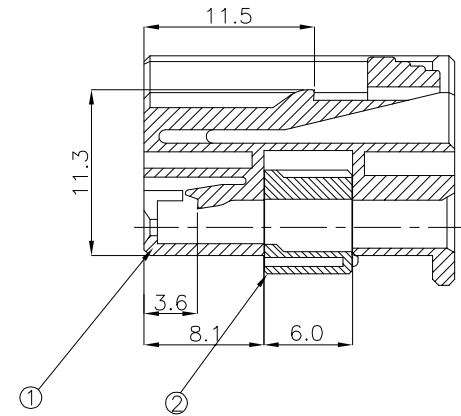
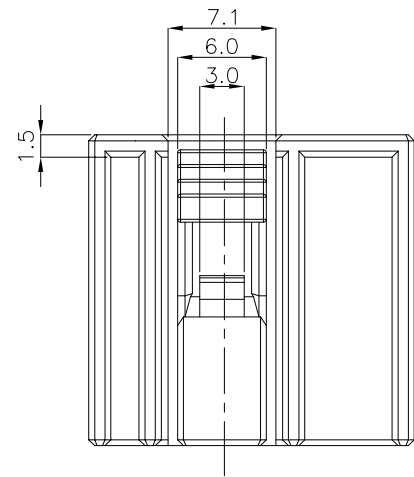
RELEASED FOR PUBLICATION

© COPYRIGHT

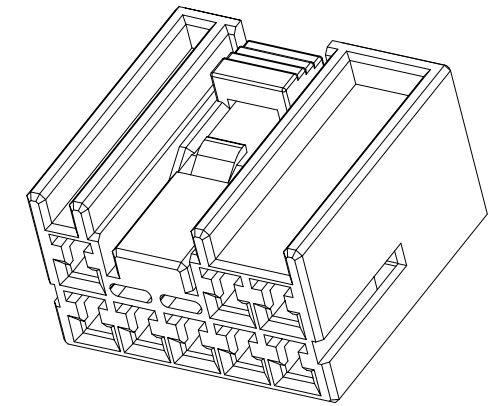
BY TYCO ELECTRONICS CORPORATION, ALL RIGHTS RESERVED.

REVISIONS

P	LTR	DESCRIPTION	DATE	DWN	APVD
	B	REVISED (ECR-06-023165)	09.OCT.'06	BS	JK
	B1	REVISED (ECR-09-005043)	24.MAR.'09	KT	HG
	B2	REVISED (ECR-16-006690)	09.MAY.'16	JM	JW



SECTION A-A

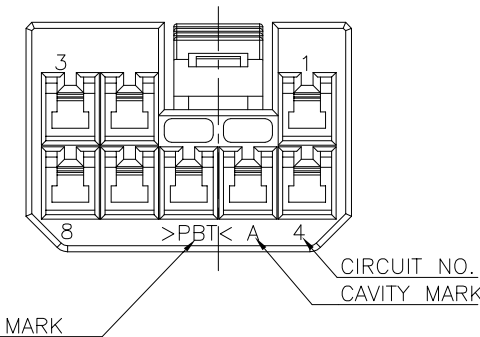
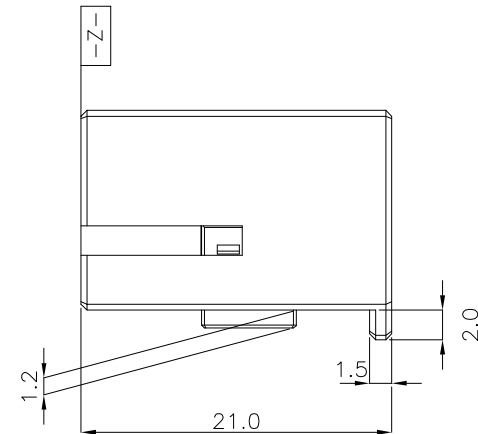
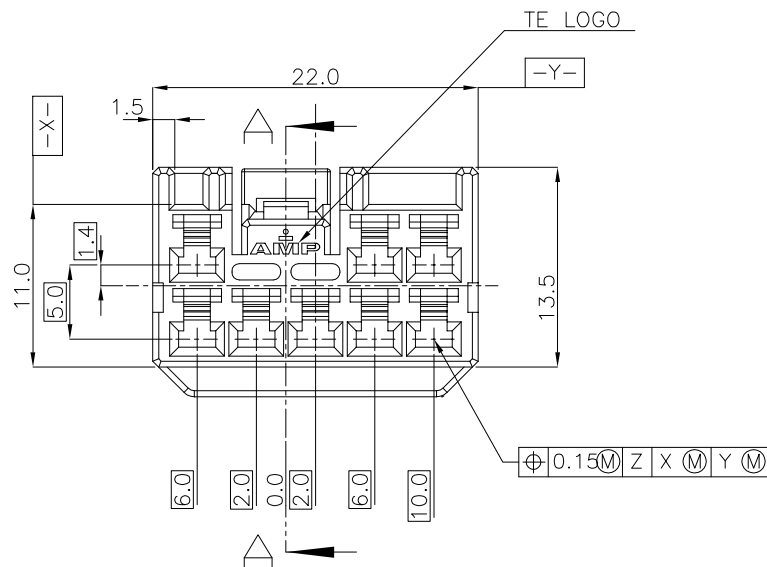


NOTES.

- 1. THE MATING HSG. P/N ; 936242
- 2. APPLIED CONTACT P/N ;  
090 II REC. - 368083, 368084, 368085  
090 III REC. - 1743654, 1743655, 1743656, 1897753, 1897598

-주거-

- 1. 상대 하우징 P/N. ; 936242
- 2. 적용단자 P/N. ; 090 II REC.- 368083, 368084, 368085  
090 III REC.- 1743654, 1743655, 1743656, 1897753, 1897598



ASSY P/N	QTY
936233-8	1
936233-7	1
936233-6	1
936233-5	1
936233-4	1
936233-3	1
936233-2	1
936233-1	1

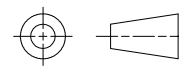
NO	COLOR	MATERIAL	DESCRIPTION	P/N	QTY
1	BLUE	PBT	PLUG	936234-8	1
	GREEN	PBT	PLUG	936234-7	1
	RED	PBT	PLUG	936234-6	1
	YELLOW	PBT	PLUG	936234-5	1
	BROWN	PBT	PLUG	936234-4	1
	D/GRAY	PBT	PLUG	936234-3	1
	BLACK	PBT	PLUG	936234-2	1
	NATURAL	PBT	PLUG	936234-1	1
2	NATURAL	PBT	DBL	936235-1	1

THIS DRAWING IS A CONTROLLED DOCUMENT FOR TYCO ELECTRONICS CORPORATION IT IS SUBJECT TO CHANGE AND THE CONTROLLING ENGINEERING ORGANIZATION SHOULD BE CONTACTED FOR THE LATEST REVISION.

DIMENSIONS: MM

TOLERANCES UNLESS OTHERWISE SPECIFIED:

- 0 <XX<10 ± 0.2
- 10<XX<30 ± 0.25
- 30<XX ± 0.3
- ANGLES ± 3°



MATERIAL SEE TABLE

FINISH

DWN JM JEON

CHK -

APVD JW JUNG

PRODUCT SPEC -

APPLICATION SPEC -

WEIGHT -

CUSTOMER DRAWING



NAME: 090III 8P PLUG ASS'Y

SIZE: A3 CAGE CODE: 00779 DRAWING NO: C-936233 RESTRICTED TO: -

SCALE: 2/1 SHEET: 1 OF 1 REV: B2

单击下面可查看定价，库存，交付和生命周期等信息

[>>TE Connectivity\(泰科\)](#)