

4

3

2

1

THIS DRAWING IS UNPUBLISHED.

RELEASED FOR PUBLICATION

© COPYRIGHT 2003 BY TYCO ELECTRONICS CORPORATION. ALL INTERNATIONAL RIGHTS RESERVED.

LOC	DIST	REVISIONS			
P	LTR	DESCRIPTION	DATE	DWN	APVD
J	-	A	RELEASE	07JUN11	TQ SY

FEEDING DIRECTION

Dimensions:  $1.75 \pm 0.1$ ,  $\phi 1.55 \pm 0.05$  (TYP.),  $4 \pm 0.1$  (TYP.),  $2 \pm 0.1$ ,  $24 \pm 0.1$ ,  $32 \pm 0.3$ ,  $14.2$ ,  $160\text{mm (MIN)}$  EMPTY POCKET, CONNECTOR LOADED AREA,  $100\text{mm (MIN)}$  EMPTY POCKET.

DETAIL A

NOTES :

- 10 POCKETS HOLE PITCH CUMULATIVE TOLERANCE  $\pm 0.2\text{mm}$ .
- NUMBER OF CONNECTORS : 230 PCS/REEL.
- COVER TAPE PEELING STRENGTH :  $0.1 \sim 1.3\text{N}$  . AT  $300\text{mm/min}$  .

FEEDING DIRECTION

Carrier tape dimensions:  $\phi 100 \pm 0.5$ ,  $\phi 330 \pm 2.0$ .

Reel diagram with callout 3.

DETAIL A

Dimensions:  $0.20$ ,  $R0.75$ .

COVER TAPE

PEELING DIRECTION

CARRIER TAPE

FEEDING DIRECTION

Angle:  $165^\circ \sim 180^\circ$

BLACK	1932733-1
COLOR	PARTS No.

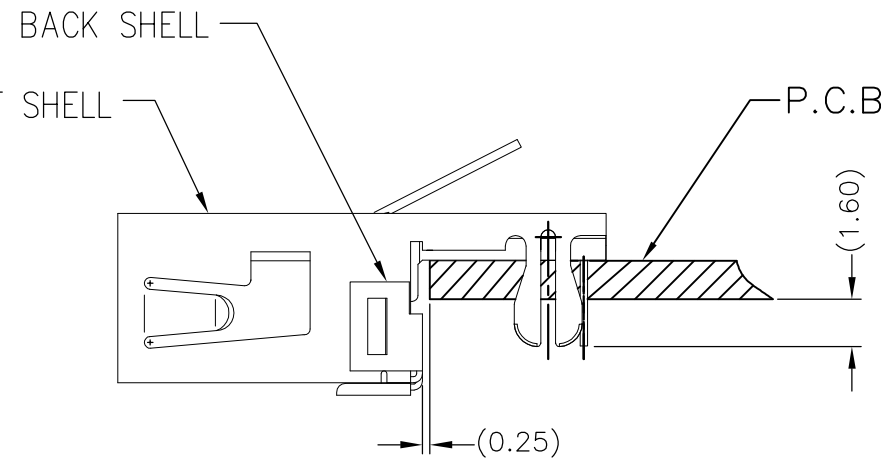
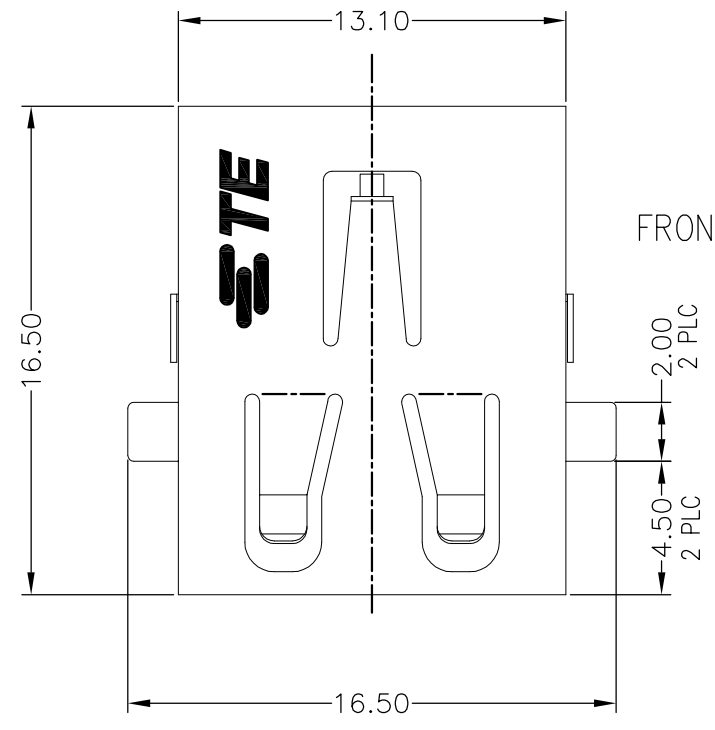
THIS DRAWING IS A CONTROLLED DOCUMENT.		DWN Tommy Qian 07JUN11		
		CHK Martin Li 07JUN11		
DIMENSIONS: mm		APVD Steven Yao 07JUN11	NAME	
TOLERANCES UNLESS OTHERWISE SPECIFIED:		PRODUCT SPEC	USB CONNECTOR RECEPTACLE	
0 PLC $\pm 0.3$		APPLICATION SPEC	DIP AND OFFSET TYPE	
1 PLC $\pm$		108-5983	SIZE	CAGE CODE
2 PLC $\pm 0.3$			A3	00779
3 PLC $\pm$			DRAWING NO	RESTRICTED TO
4 PLC $\pm$			C=1932733	
ANGLES $\pm 3'$		WEIGHT		
MATERIAL 1	FINISH 2	CUSTOMER DRAWING	SCALE 6:1	SHEET 1 of 2
			REV A	

AMP 1470-19 REV 31MAR2000

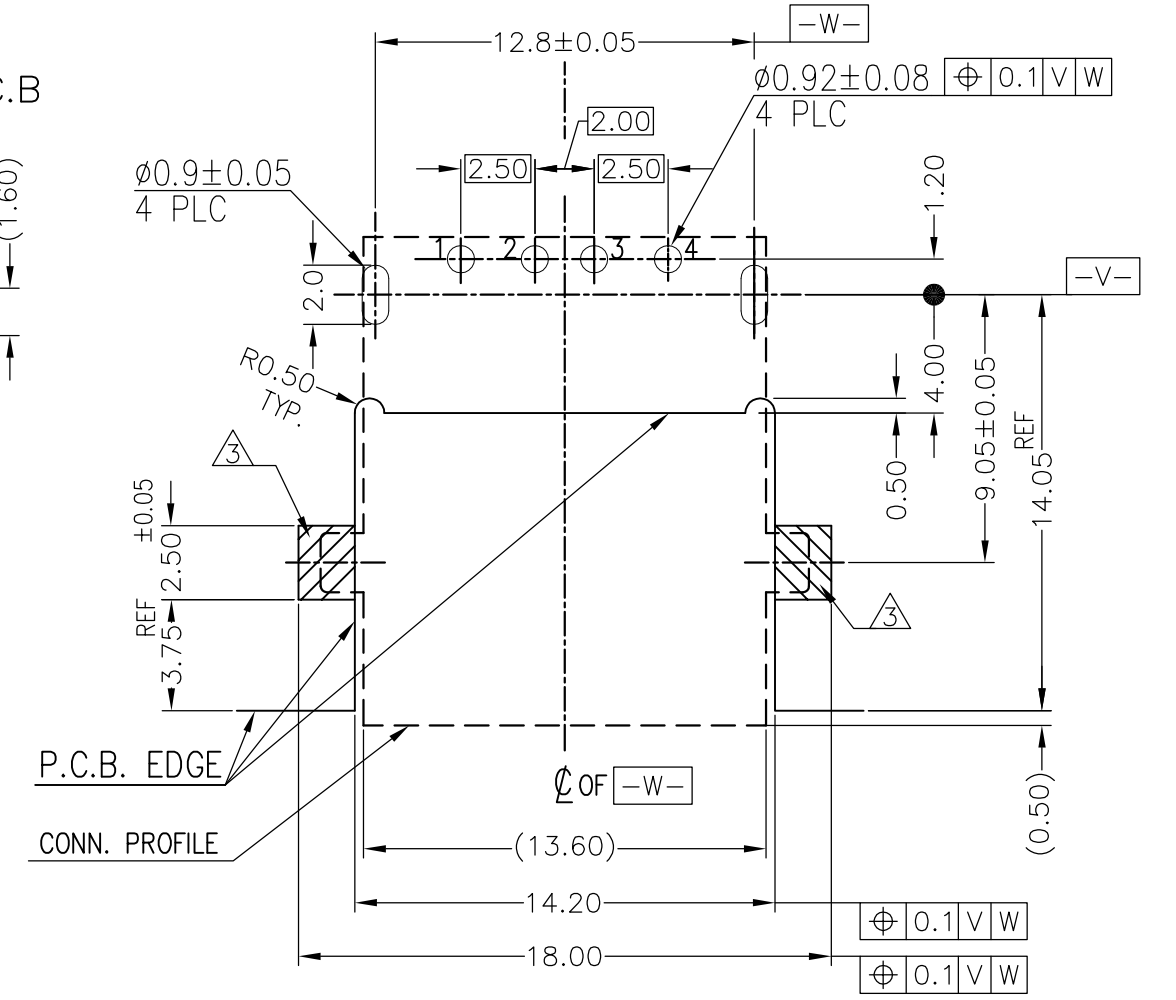
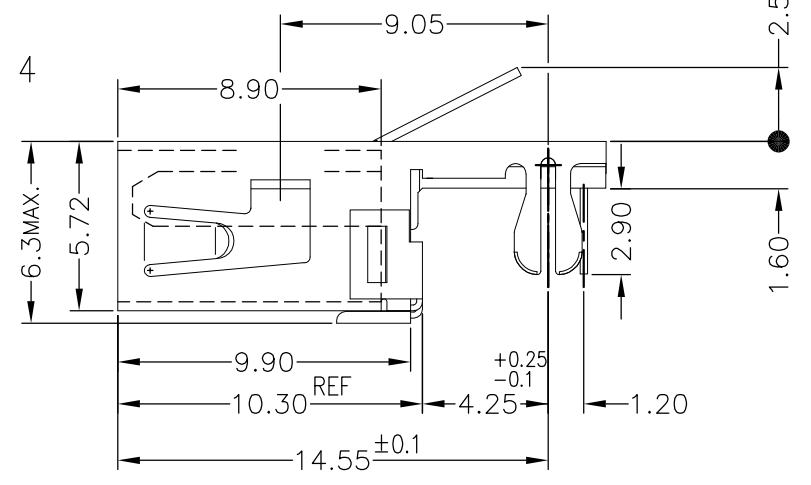
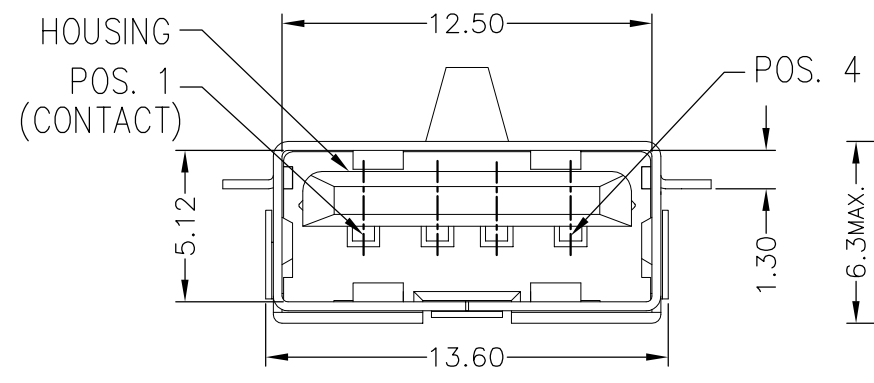
Downloaded From [Onezac.com](http://Onezac.com)

THIS DRAWING IS UNPUBLISHED. RELEASED FOR PUBLICATION  
 © COPYRIGHT 2003 BY TYCO ELECTRONICS CORPORATION. ALL INTERNATIONAL RIGHTS RESERVED.

LOC		DIST		REVISIONS			
P	LTR	DESCRIPTION	DATE	DWN	APVD		
J		SEE SHEET 1	-	-	-		



REFERENCE P.C.B LAYOUT  
(SIDE VIEW, 1.3mm THK)



REFERENCE P.C.B LAYOUT  
(TOP VIEW, 1.1~1.3mm PWB THK)

- 1 MATERIAL  
HOUSING: HIGH TEMPERATURE THERMOPLASTIC, BLACK, HALOGEN FREE, UL 94V-0  
CONTACT: COPPER ALLOY  
FRONT SHELL: COPPER ALLOY  
BACK SHELL: COPPER ALLOY
- 2 FINISH  
CONTACT: NICKEL UNDER PLATE ALL OVER.  
CONTACT AREA: GOLD PLATING  
TINE AREA: Tin PLATING  
FRONT SHELL: Tin PLATING, Ni UNDER PLATING  
BACK SHELL: Ni PLATING
- 3 NO COMPONENT AREA.

THIS DRAWING IS A CONTROLLED DOCUMENT.		DWN Tommy Qian 07JUN11		
		CHK Martin Li 07JUN11		
		APVD Steven Yao 07JUN11	NAME	
DIMENSIONS: mm		PRODUCT SPEC 108-5983	USB CONNECTOR RECEPTACLE DIP AND OFFSET TYPE	
TOLERANCES UNLESS OTHERWISE SPECIFIED:		APPLICATION SPEC	RESTRICTED TO	
0 PLC ± 1 PLC ±0.3 2 PLC ±0.3 3 PLC ± 4 PLC ± ANGLES ±3°		WEIGHT	SIZE A3	CAGE CODE 00779
MATERIAL 1		CUSTOMER DRAWING	DRAWING NO C-1932733	REV A
FINISH 2		SCALE 4:1	SHEET 2 OF 2	

单击下面可查看定价，库存，交付和生命周期等信息

[>>TE Connectivity\(泰科\)](#)