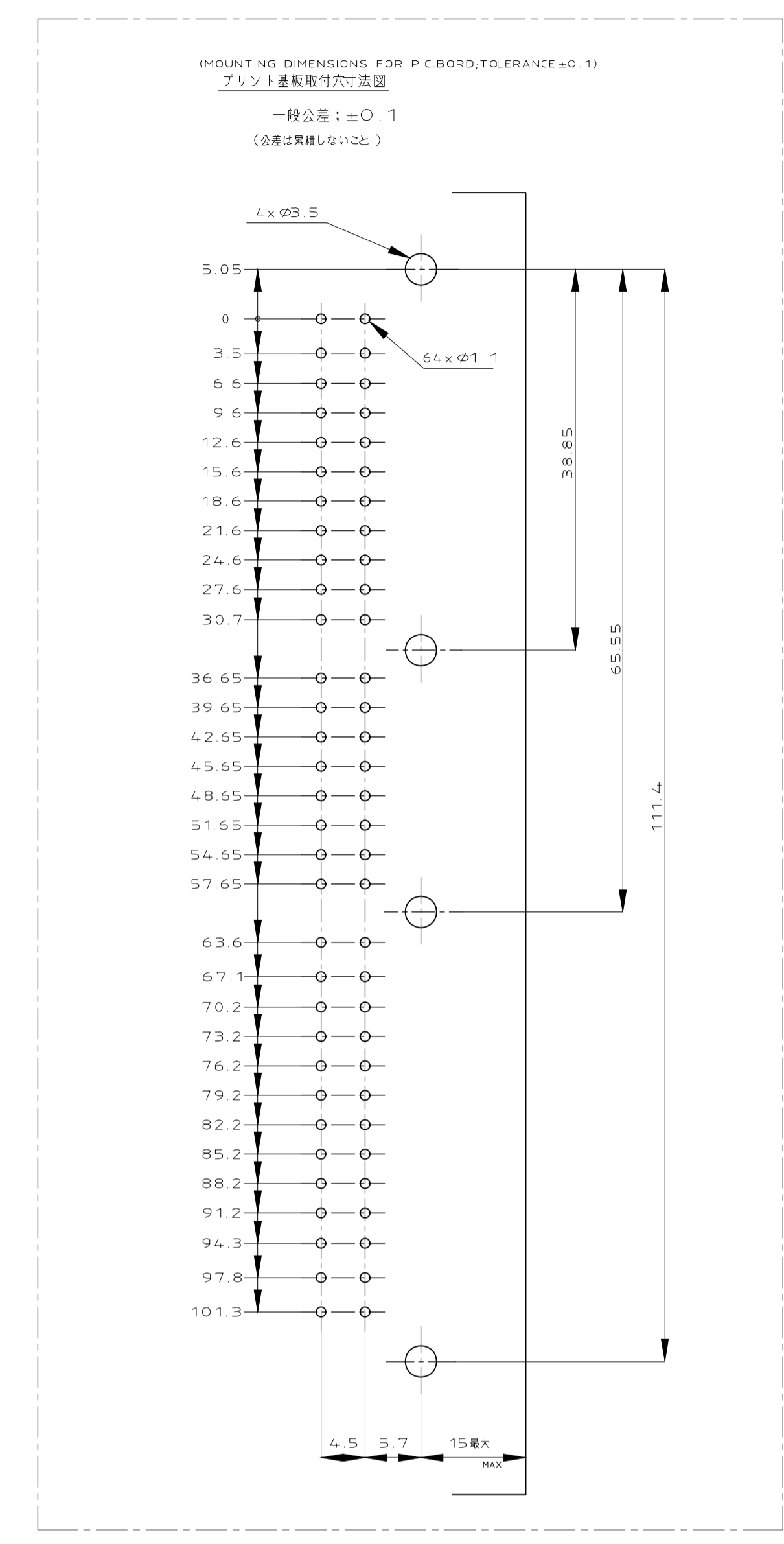
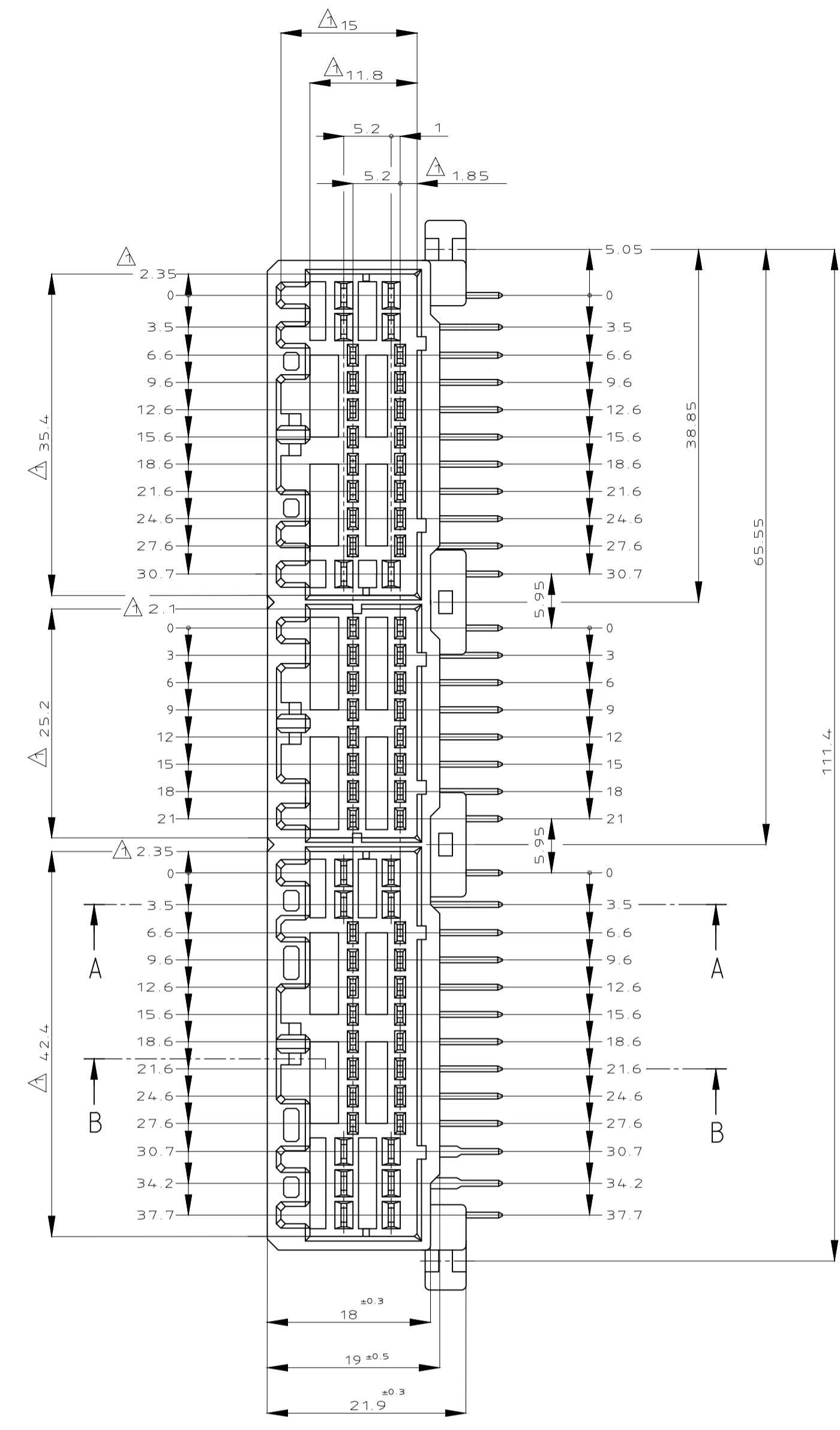
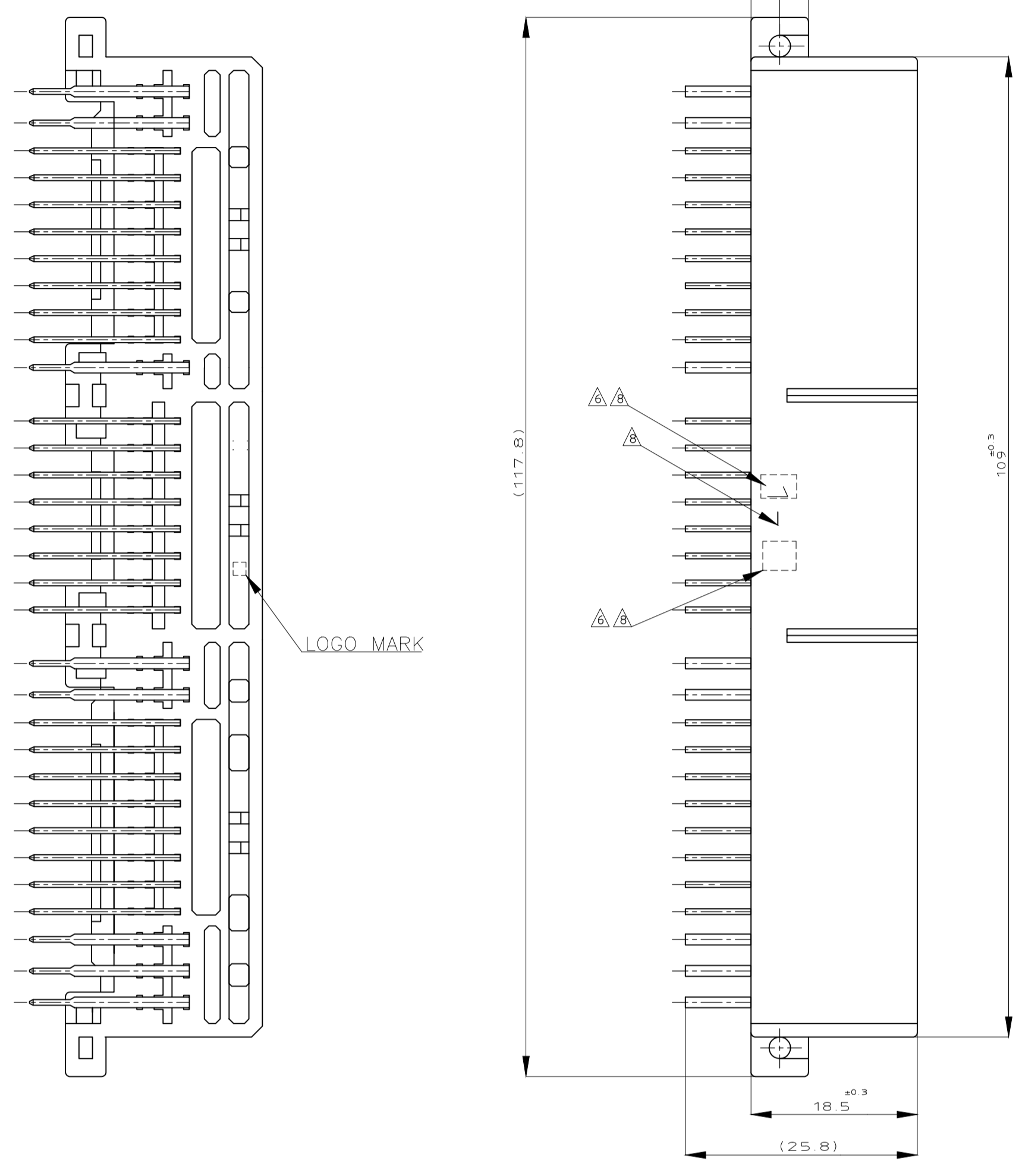
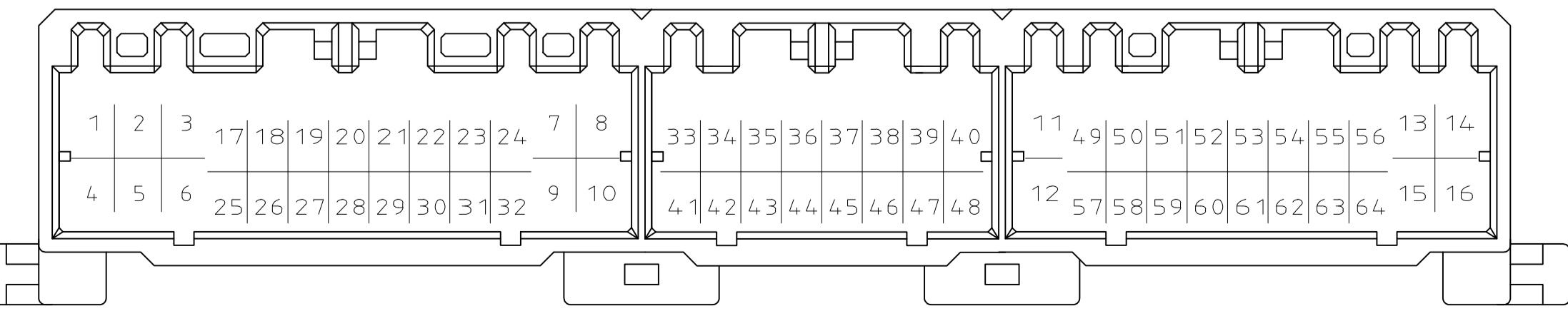
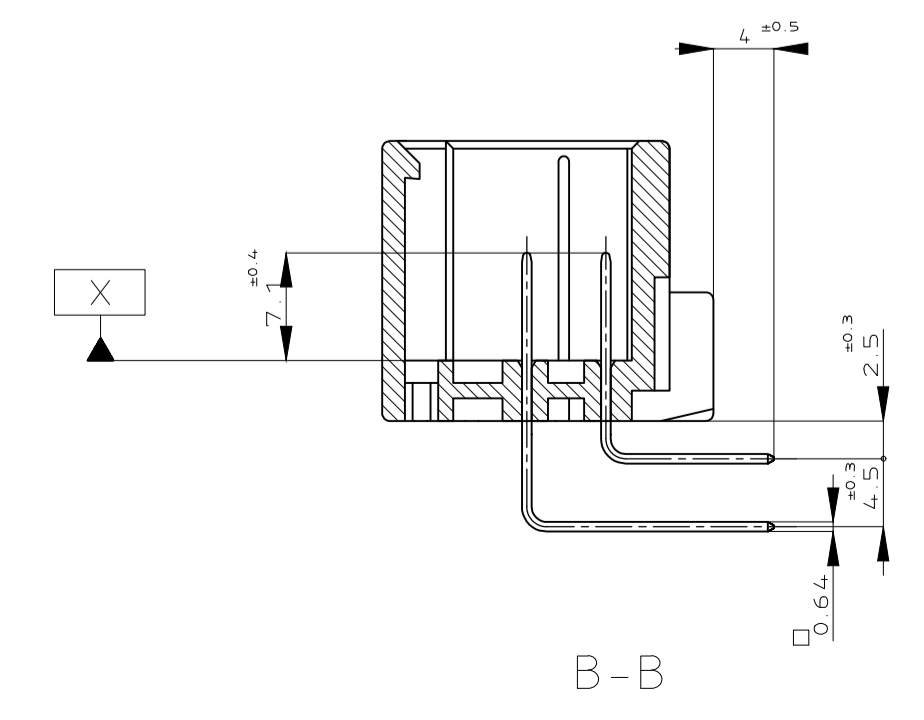
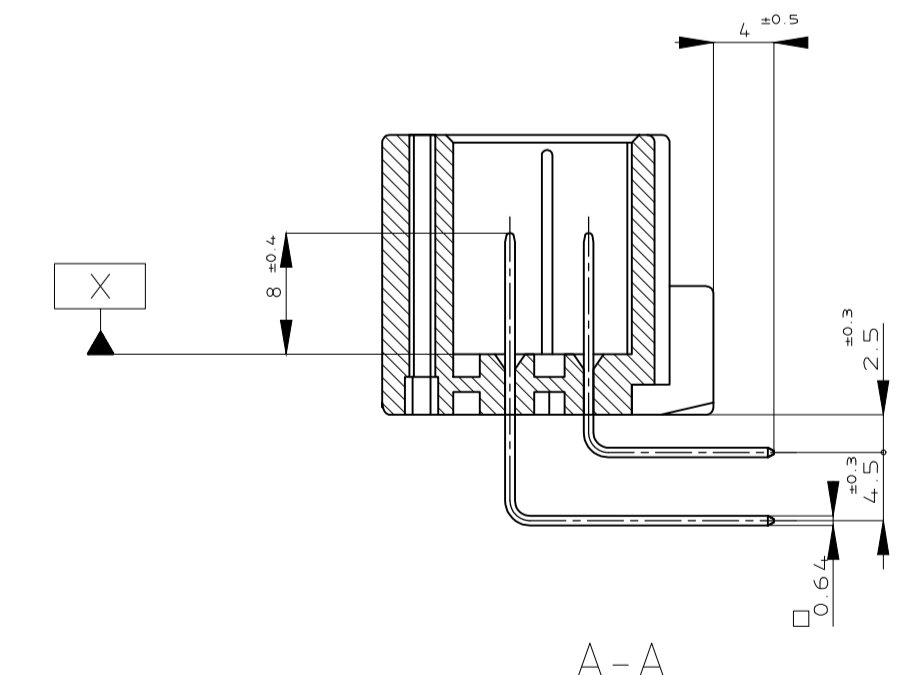


REVISIONS					
REV	DATE	DESCRIPTION	BY	CHK	APPV
H5	REVISED	ECR-20-007333		PSJ	TM



- 1 MUST BE KEPT BETWEEN [X] AND 2
- △ THE MATING PLUG HSG.PART NUMBER : 174516,174515,174514, 917992, 917989, 917981
- 3 RECOMMENDED MOUNTING SCREW,3mmDIA,6mmLENGTH(MAX) PAN HEAD,CLASS 2 TAPPING SCREW SPECIFIED IN JIS B1115,B1122 (TIGHTENING TORQUE,0.4N·m MAX.)
- 4 APPLICABLE PRODUCT SPEC NO.108-5280, 108-5342
- △ CIRCUIT NUMBER
POWER CIRCUIT NO.①~⑫
SIGNAL CIRCUIT NO.⑬~⑳
- △ INDICATED PREFIX AND ID MARK OF PRODUCT P/N BY COLOR HOT MARK
- △ PCB SIDE OF GOLD PLATING TAB IS TIN PLATE
- △ USING "X"REPLACE "-"(P/N MARK)
- EXAMPLE "1XD"

- △ [X]面から2mmの範囲で測定
- 2 嵌合相手ハウジング型 174516, 174515, 174514, 917992, 917989, 917981
- 3 推奨取付ねじ; JIS B1115,B1122 カホンねじ、なべ2種 呼び径3、長さ6mm以下 (締付けトルク: 0.4N·m以下)
- 4 適用製品規格番号: 108-5280, 108-5342
- △ 回路番号: 下図参照のこと
パワー回路 ①~⑫
シグナル回路 ⑬~⑳
- △ 適用製品型番のアフィックス及びIDマークを カラーホットマークにて表示
- △ 全メッキタブは、基板側に鉛メッキを行う
- △ P/N 177609-2に限り、ホットマークに“-”(P/N MARK)ではなく“X”を使用する
- 例 1XD



REV	DESCRIPTION	DATE	BY	CHK	APPV
59-	BLACK SELECTIVE-TIN (MATTE) SELECTIVE GOLD x 5				
57-	BLACK SELECTIVE-TIN (MATTE) SELECTIVE GOLD x 8				
54-	WHITE SELECTIVE-TIN (MATTE) SELECTIVE GOLD x 25				
58-	BLACK SELECTIVE-TIN (MATTE) SELECTIVE GOLD x 8				
55-	WHITE SELECTIVE-TIN (MATTE) SELECTIVE GOLD x 11				
54-	WHITE SELECTIVE-TIN (MATTE) SELECTIVE GOLD x 25				
54-	BLACK SELECTIVE-TIN (MATTE) SELECTIVE GOLD x 25				
53-	BLACK SELECTIVE-TIN (MATTE) SELECTIVE GOLD x 10				
52-	WHITE SELECTIVE-TIN (MATTE) SELECTIVE GOLD x 18				
50-	WHITE SELECTIVE-TIN (MATTE) SELECTIVE GOLD x 11				
9-	BLACK TIN-LEAD SELECTIVE GOLD x 5				
8-	BLACK TIN-LEAD SELECTIVE GOLD x 8				
7-	BLACK TIN-LEAD SELECTIVE GOLD x 8				
6-	WHITE TIN-LEAD SELECTIVE GOLD x 9				
5-	WHITE TIN-LEAD SELECTIVE GOLD x 11				
4-	WHITE TIN-LEAD SELECTIVE GOLD x 25				
4-	BLACK TIN-LEAD SELECTIVE GOLD x 25				
3-	BLACK TIN-LEAD SELECTIVE GOLD x 10				
2-	BLACK TIN-LEAD SELECTIVE GOLD x 18				
1X	BLACK TIN-LEAD SELECTIVE GOLD x 11				
0-	WHITE TIN-LEAD SELECTIVE GOLD x 11				

MARKING/COLOR	CONTACT FINISH	CONTACT SIDE	POWER CIRCUIT NO.	SIGNAL CIRCUIT NO.	HOUSING COLOR	PART NUMBER
マールキヤ (色)	コネクタ側上	接触部側	パワー回路	シグナル回路	ハウジング色	製品型番

DIMENSIONS:		TOLERANCES UNLESS OTHERWISE SPECIFIED	
0 PLC	±	0.15	±
1 PLC	±	0.25	±
2 PLC	±	0.25	±
3 PLC	±	0.25	±
4 PLC	±	0.25	±

MATERIAL	FINISH	WEIGHT	SIZE	CAGE CODE	DRAWING NO.	RESTRICTED TO
PBT, BRASS <td>SEE TABLE <td>28.4g</td> <td>A1</td> <td>00779</td> <td>177609</td> <td></td> </td>	SEE TABLE <td>28.4g</td> <td>A1</td> <td>00779</td> <td>177609</td> <td></td>	28.4g	A1	00779	177609	

THIS DRAWING IS A CONTROLLED DOCUMENT.		TE Connectivity	
DIN K. FURUYAMA	30JAN02	.040/.070 SERIES HYBRID I/O CONN. 64POSITION CAP HOUSING ASSY	
CHK H. YAMAGAMI	31JAN02	SCALE: FREE SHEET 1 of 1 REV. H5	

单击下面可查看定价，库存，交付和生命周期等信息

[>>TE Connectivity\(泰科\)](#)