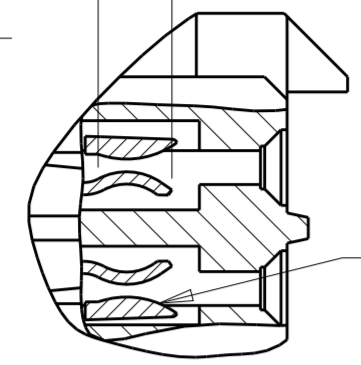


THIS DRAWING IS UNPUBLISHED. RELEASED FOR PUBLICATION 2000
 © COPYRIGHT 2000 ALL RIGHTS RESERVED.

LOC		DIST		REVISIONS			
P	LTR	DESCRIPTION	DATE	DWN	APVD		
	B	REVISED PER ECO-18-020072	25DEC2018	R.L	H.L		

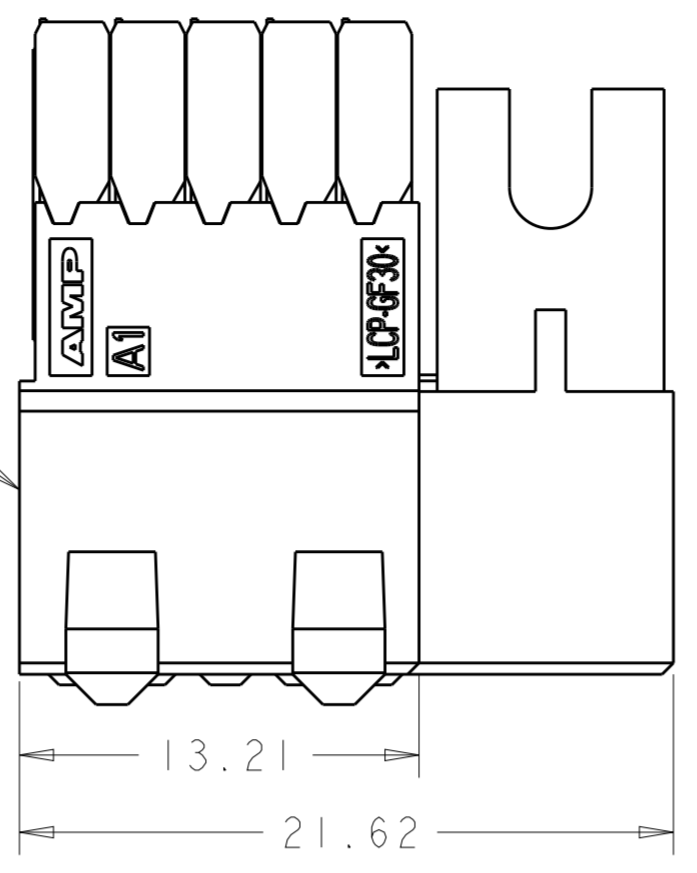
CONTACT AREA TYPICAL



DETAIL M
SCALE 8:1

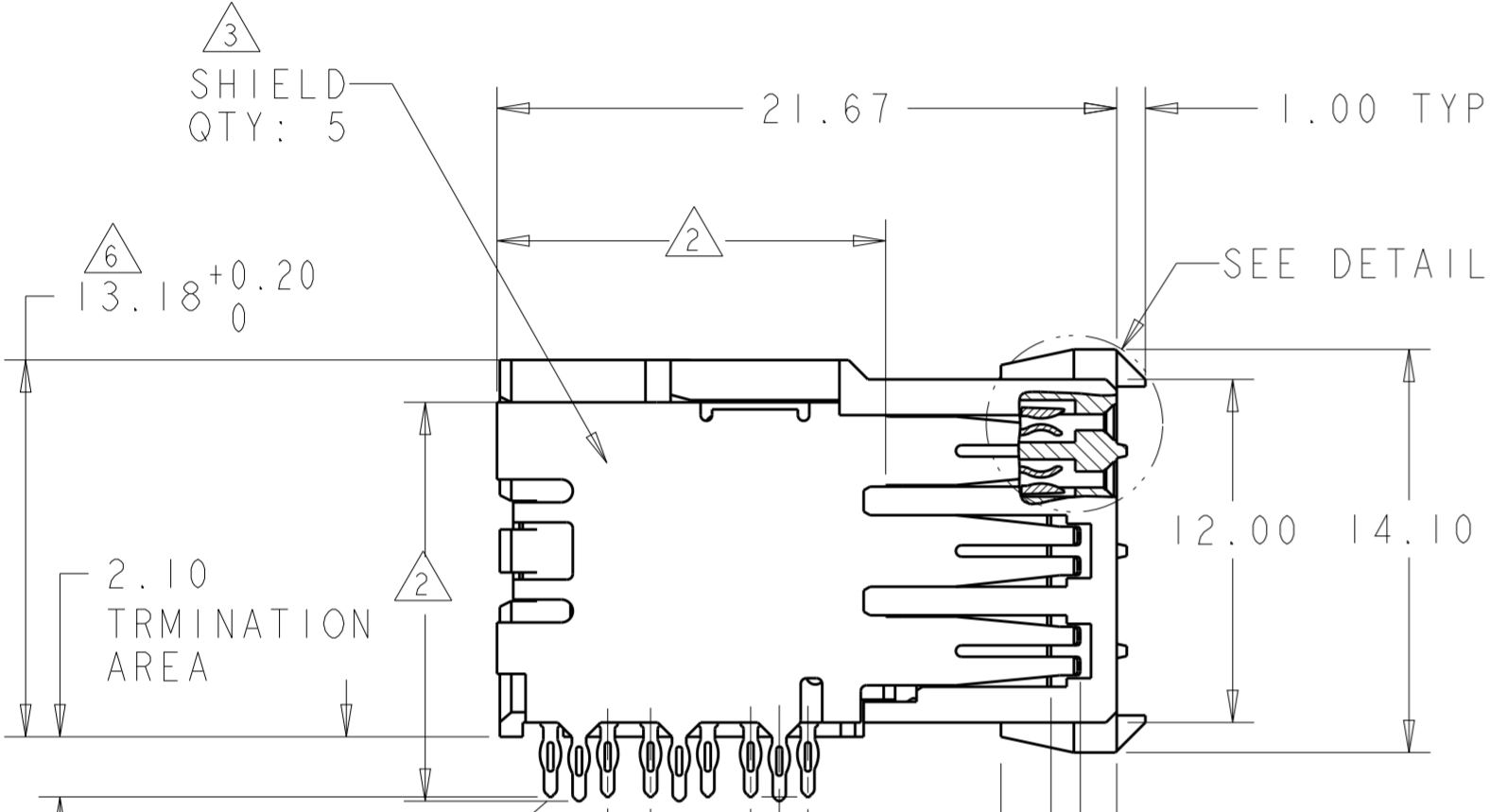
CONTACT QTY: 30

HOUSING QTY: 1



13.21

21.62



SHIELD QTY: 5

21.67

1.00 TYP

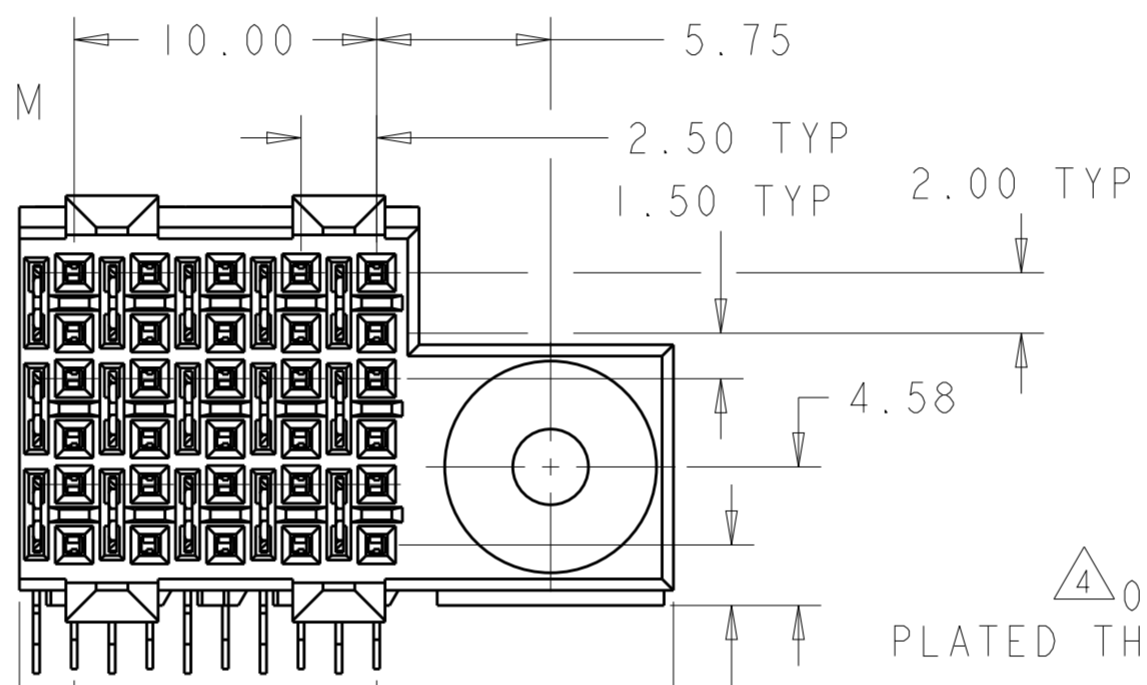
13.18^{+0.20}₀

SEE DETAIL M

12.00

14.10

2.10 TRMINATION AREA



10.00

5.75

2.50 TYP

1.50 TYP

2.00 TYP

4.58

2.25 TERMINATION AREA

1.50 TYP

CONTACT AREA TYPICAL

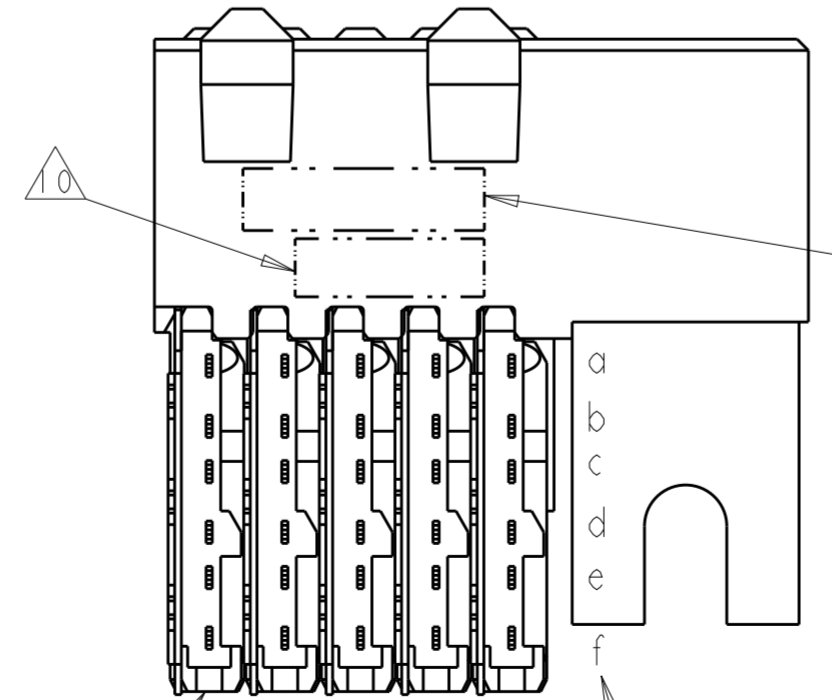
1.00 TYP

4.05 TYP

2.00 DISTANCE FROM ROW "a" TO BOARD SURFACE

2.00 TYP

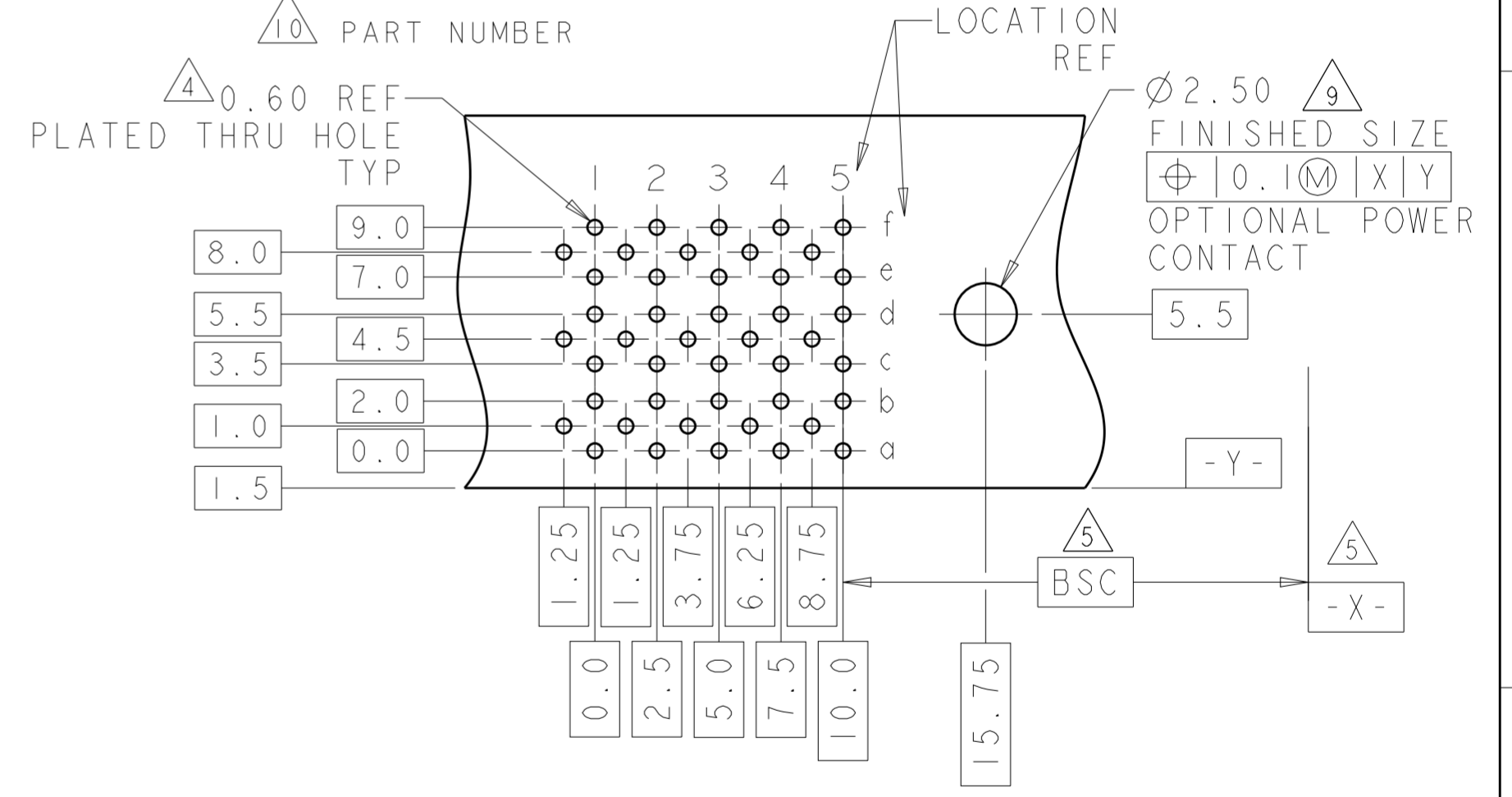
10.80 TYP



CHICKLET QTY: 5

LOCATION REF

- 1 CONTACT MATING AREA MEETS THE PERFORMANCE REQUIREMENTS OF TE CONNECTIVITY PRODUCT SPECIFICATION 108-1957; BASED ON TELCORDIA GR-1217-CORE, APPLICATIONS IN UNCONTROLLED ENVIRONMENTS.
- 2 0.76µm MIN TIN OVER 1.27µm MIN NICKEL
- 3 MATERIAL:
CONTACT - COPPER ALLOY
SHIELD - PHOSPHOR BRONZE
HOUSING - LCP, UL94V-0
CHICKLET - GLASS FILLED POLYESTER
- 4 REFERENCE APPLICATION SPEC 114-13020 FOR RECOMMENDED PLATED THRU HOLE DIAMETER AND PLATING THICKNESS.
- 5 DATUM AND BASIC DIMENSION ESTABLISHED BY CUSTOMER.
- 6 SEATING HEIGHT TO BOARD SURFACE.
- 7 CONTACT AREA LUBRICATED WITH BELLCORE APPROVED LUBRICANT. TECHNICAL REFERENCE: GR-1217-CORE, ISSUE 1, NOVEMBER 1995.
- 8 DATE CODE
- 9 OPTIONAL POWER CONTACT PN 535875-X
- 10 PART NUMBER



RECOMMENDED PRINTED CIRCUIT BOARD LAYOUT
COMPONENT SIDE OF PRINTED CIRCUIT BOARD

5120788-1
PART NUMBER

THIS DRAWING IS A CONTROLLED DOCUMENT.		DWN B. CARBO 07DEC04	TE Connectivity	
DIMENSIONS: mm		CHK R. PATTERSON 07DEC04		
TOLERANCES UNLESS OTHERWISE SPECIFIED:		APVD R. PATTERSON 07DEC04	NAME RECEPTACLE ASSEMBLY, 30 POSITION RIGHT HAND, 6 ROW, DUAL BEAM, Z-PACK HS3	
0 PLC ±		PRODUCT SPEC 108-1957	SIZE A2	
1 PLC ±		APPLICATION SPEC 114-13020	CAGE CODE 00779	
2 PLC ±0.13		WEIGHT -	DRAWING NO 5120788	
3 PLC ±0.050		CUSTOMER DRAWING	RESTRICTED TO	
4 PLC ±		SCALE 4:1	SHEET 1 OF 1	
ANGLES ±			REV B	
FINISH				
SOLDER TAIL: 2				
CONTACT: 1				

单击下面可查看定价，库存，交付和生命周期等信息

[>>TE Connectivity\(泰科\)](#)