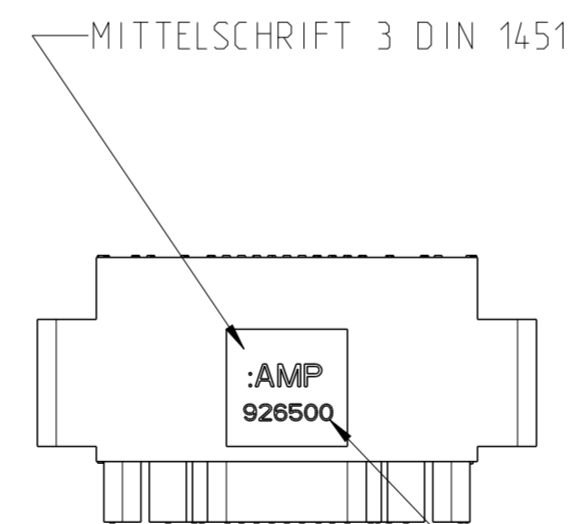
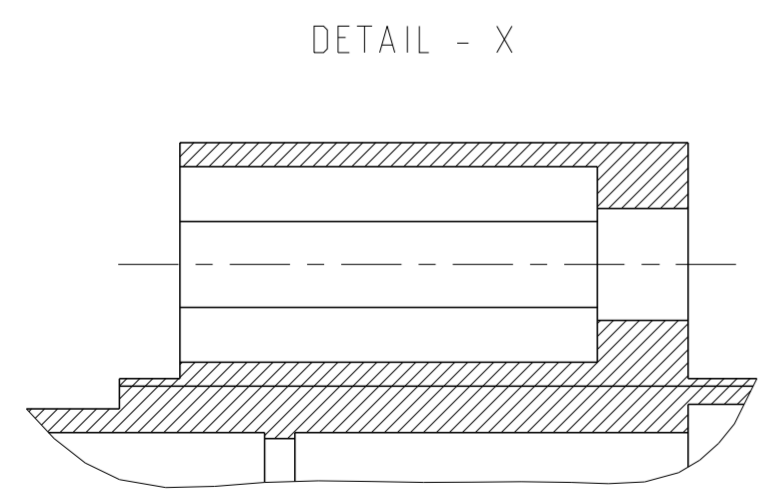
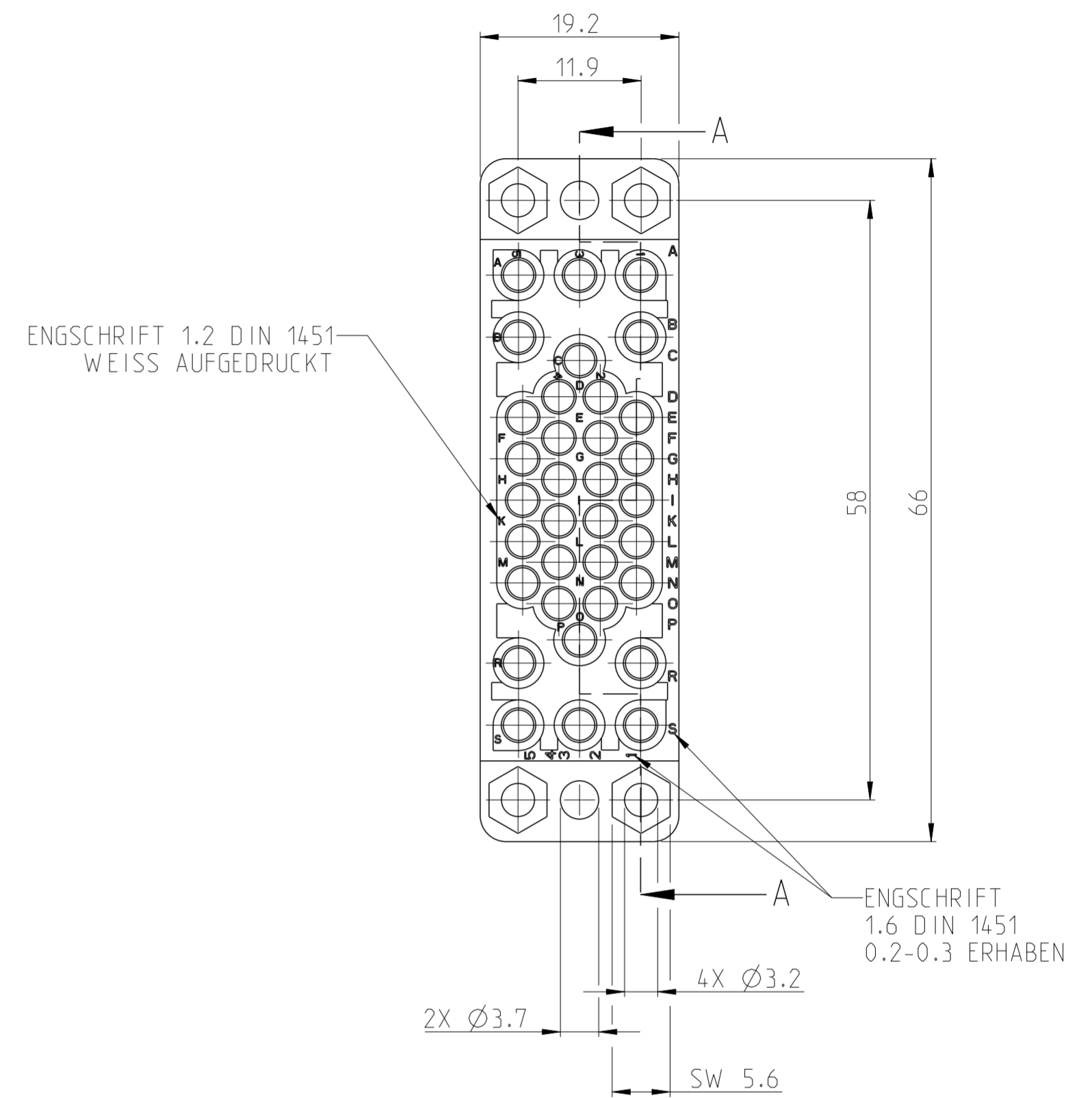
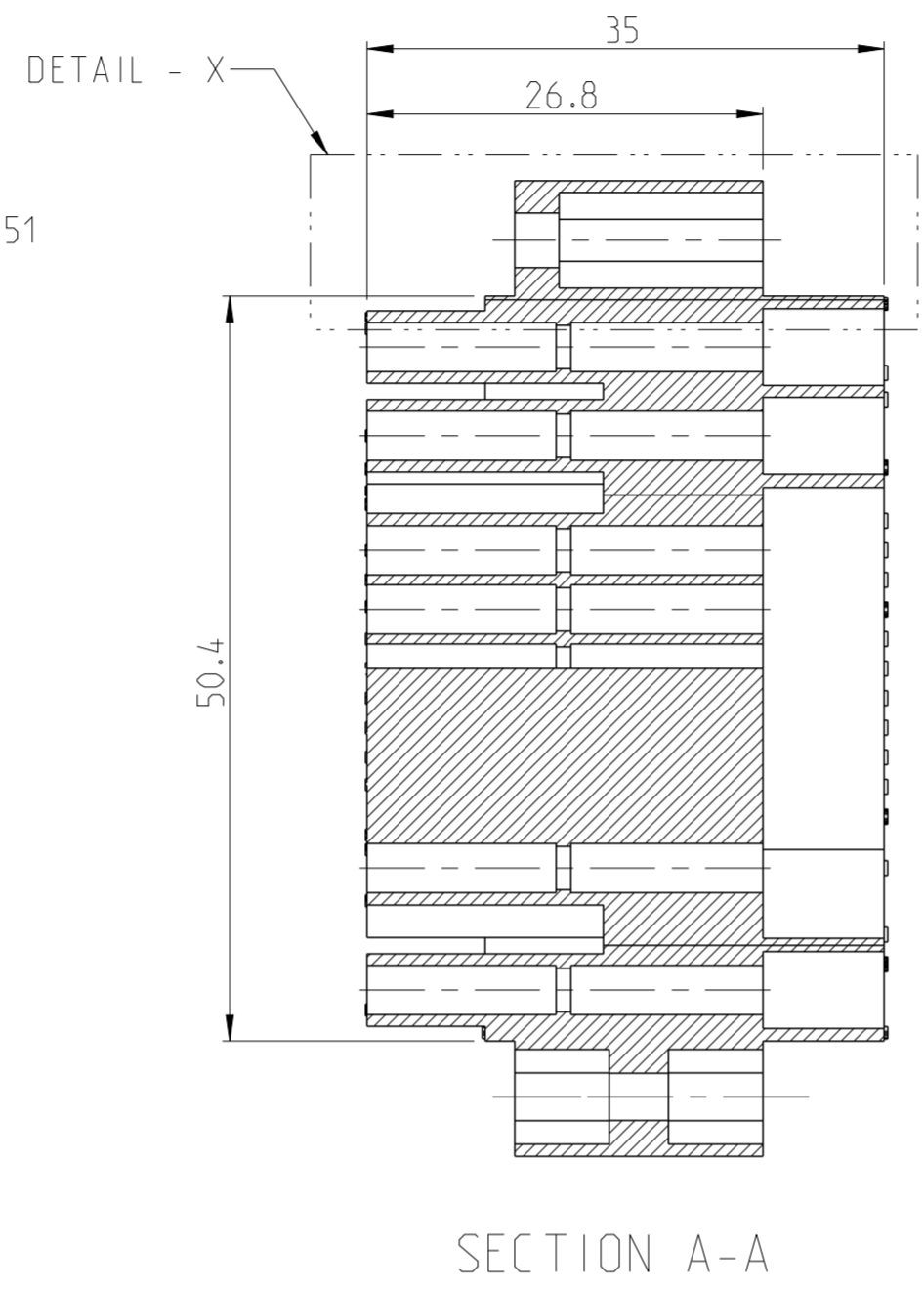
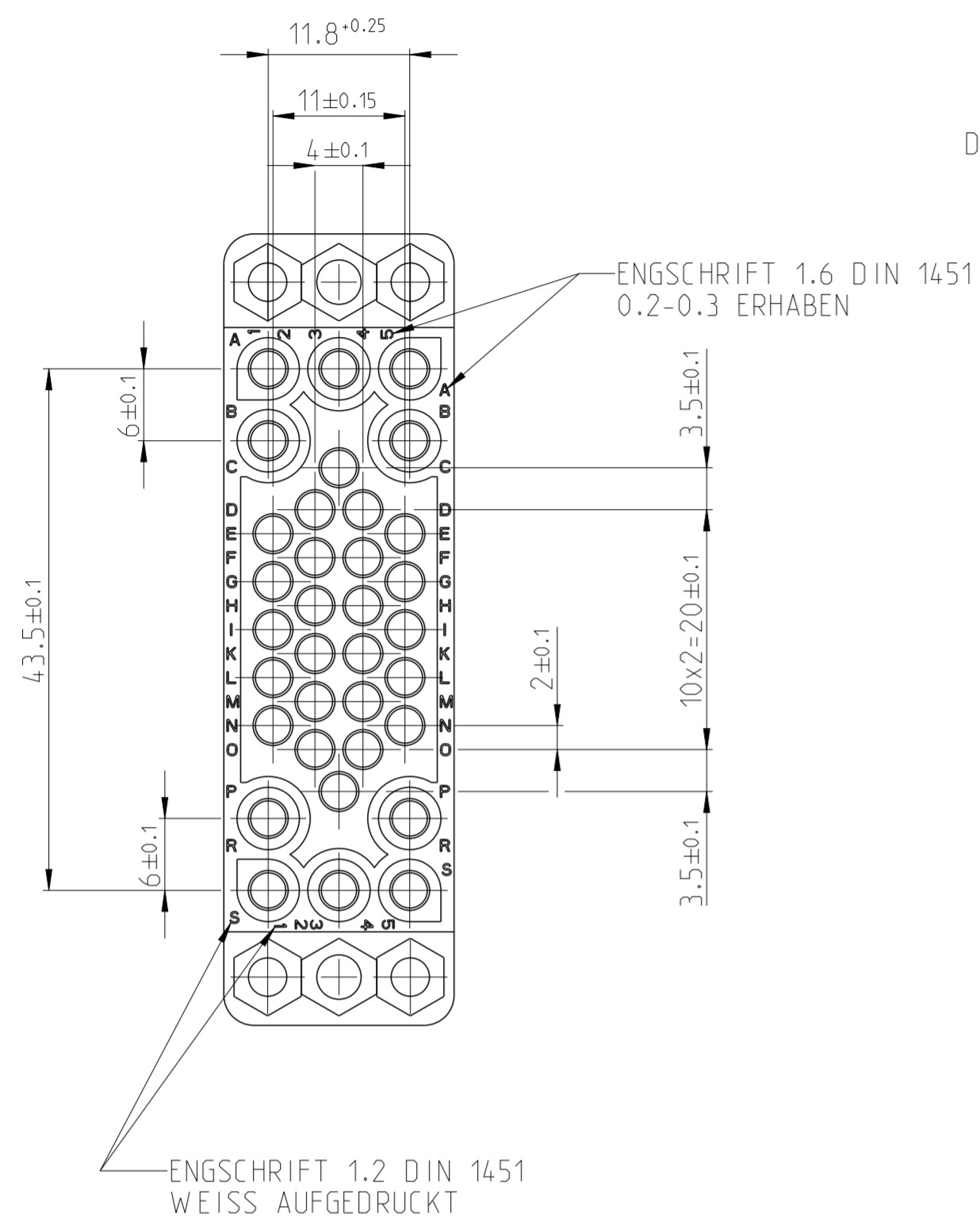


THIS DRAWING IS UNPUBLISHED. RELEASED FOR PUBLICATION 20  
 © COPYRIGHT 20 BY - ALL RIGHTS RESERVED.

LOC		DIST		REVISIONS			
P	LTR	DESCRIPTION		DATE	DWN	APVD	
B2		DIM 12.1 CORRECTED TO 11.8 IN ZONE D4		27JAN2014	TJ	JK	
C		REVISED PER ECO-20-006378		27MAY2020	SM	JMV	



- 1 FORTRON 1140L6 PPS BLACK SD3002, A 1-703391-0 40% GL Fbr Reinf
- 2 OBSOLETE PARTS: OBSOLETE CIS STREAMLINING PER D.RENAUD/D.SINSI

2	SEE DETAIL-X	926500-2	1	SCHWARZ
		926500-1	1	SCHWARZ
	Bestell-Nr.	Werkstoff		Oberfläche

926500-2 2  
**OBSOLETE**

BESTELL-NR: MITTELSCHRIFT 2 DIN 1451

THIS DRAWING IS A CONTROLLED DOCUMENT.

DIMENSIONS: mm	TOLERANCES UNLESS OTHERWISE SPECIFIED: ±0.2mm	DWN MOHAMMED THAJUDEEN 26NOV2013 CHK PRASHANTH 26NOV2013 APVD JAYANTH KUMAR 26NOV2013	TE Connectivity	
MATERIAL	FINISH	PRODUCT SPEC	34 POS. M-SERIES HOUSING	
SEE TABLE	SEE TABLE	APPLICATION SPEC	SIZE A2	RESTRICTED TO
		WEIGHT	CAGE CODE -	DRAWING NO. 926500
		CUSTOMER DRAWING	SCALE 2:1	SHEET 1 OF 1

单击下面可查看定价，库存，交付和生命周期等信息

[>>TE Connectivity\(泰科\)](#)