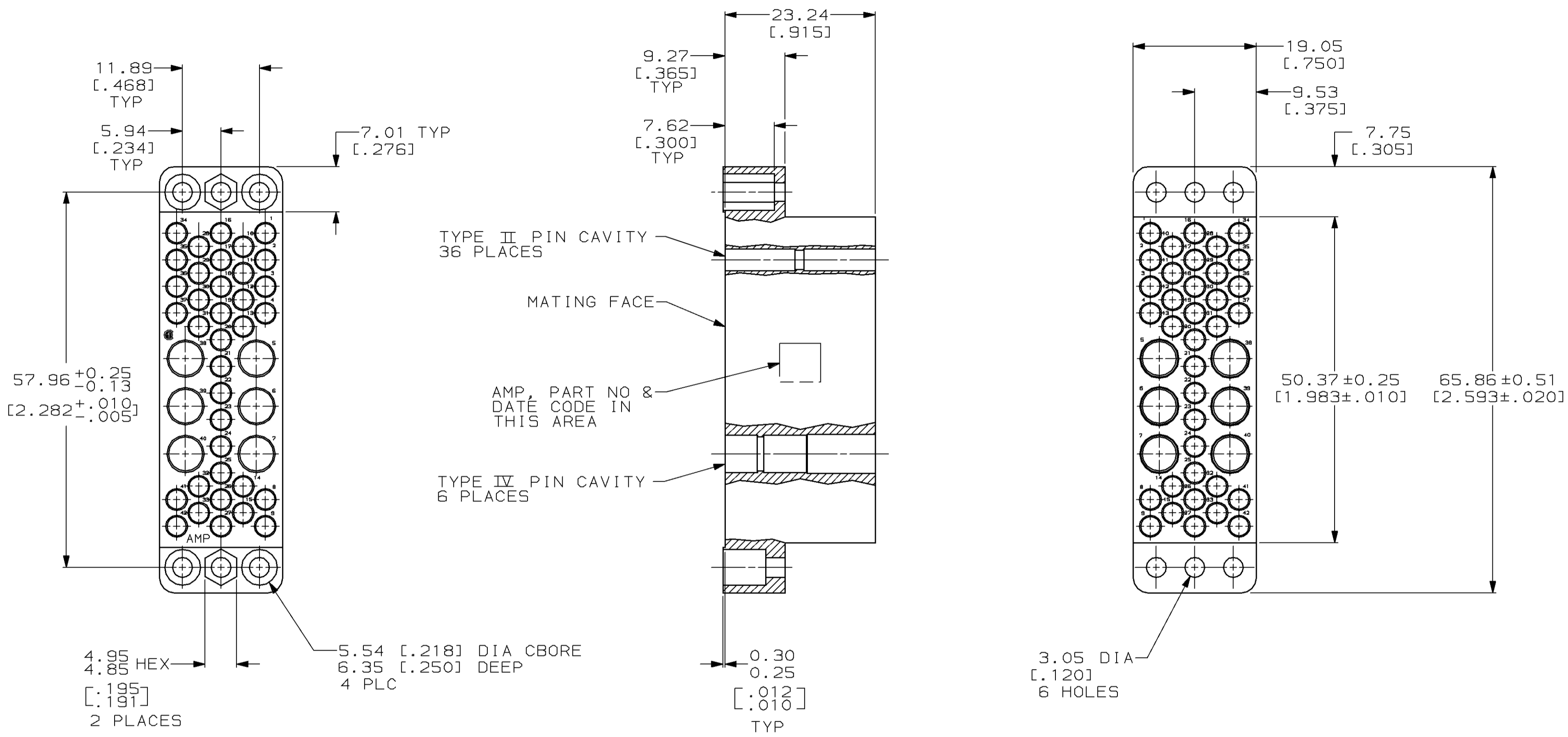


THIS DRAWING IS UNPUBLISHED. RELEASED FOR PUBLICATION, 19 .  
 © COPYRIGHT 19 BY AMP INCORPORATED. ALL INTERNATIONAL RIGHTS RESERVED.

M		Loc	DIST	REVISIONS			
P	F	ZONE	LTR	DESCRIPTION	DATE	APPD	
25	BD	36		B	REVISED & REDRAWN PER BD2996	08/01/89	-
				C	OBS -3 PER EC 0020-0186-94	03/11/94	GS



- ① PHENOLIC PER MIL-M-14, TYPE MFH, BLACK.
- ② DIALLYL PHTHALATE PER MIL-M-14, TYPE SDG-F, BLUE.
- ③ DIALLYL PHTHALATE PER MIL-M-14, TYPE SDG-F, GREEN.

	③	204186-5
OBSOLETE	②	204186-3
OBSOLETE	①	204186-1
	MATERIAL	PART NO

DO NOT SCALE PRINT. UNLESS SPECIFIED DIMENSIONS IN mm [INCHES] TOLERANCES ON: 2 PLC DEC ± 0.13 [0.005] 3 PLC DEC ± - ANGLES ± -	DR 08/01/89 L.SIPE	AMP INCORPORATED Harrisburg, Pa. 17105		
	CHK 8-7-89 J. McCLINTON			NAME
MATERIAL	APPD 8-7-89 R. WALTER	PLUG BLOCK, MALE, 42 POSN, MINI, M SERIES		
SEE TABLE	APPD 8-7-89 D. SUMMERS			
FINISH	APPLICATION SPEC	SIZE	CAGE CODE	DRAWING NO
-	-	<b>C</b>	00779	204186
WEIGHT	-	SCALE	2:1	SHEET 1 OF 1

单击下面可查看定价，库存，交付和生命周期等信息

[>>TE Connectivity\(泰科\)](#)