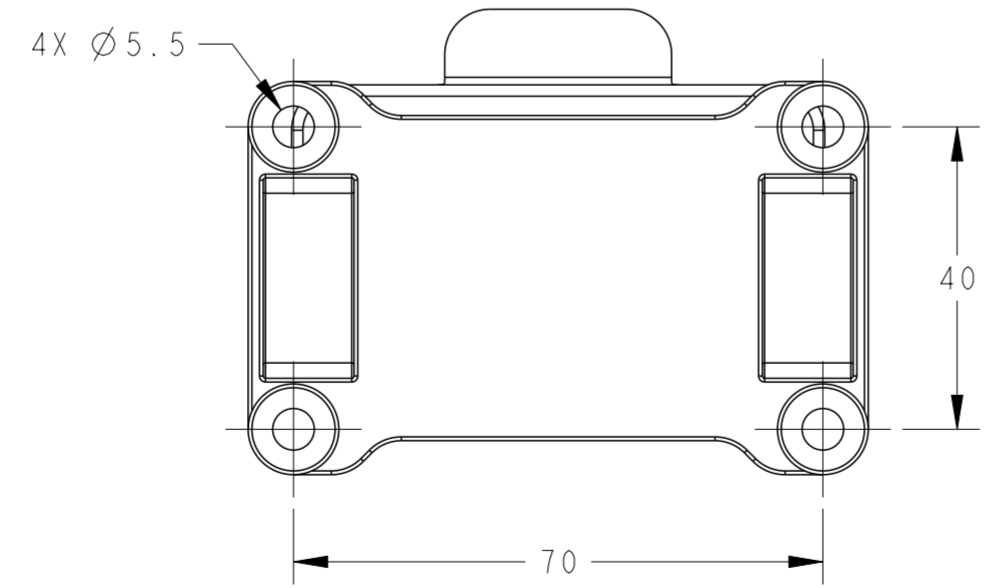
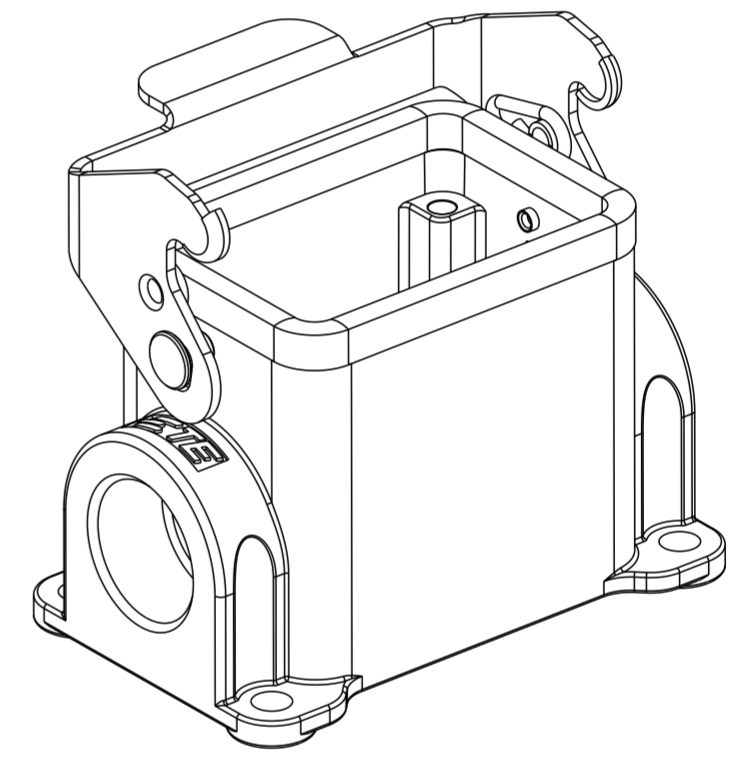
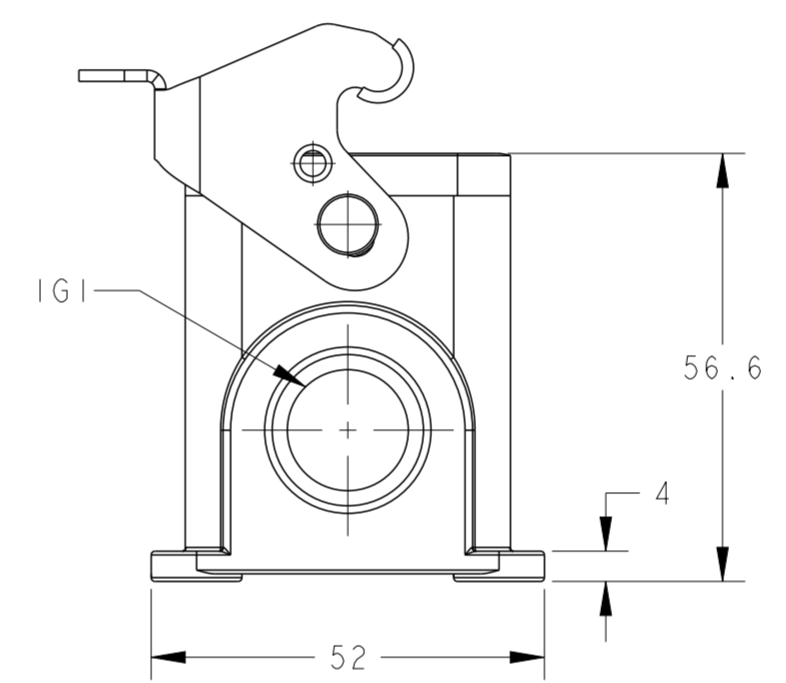
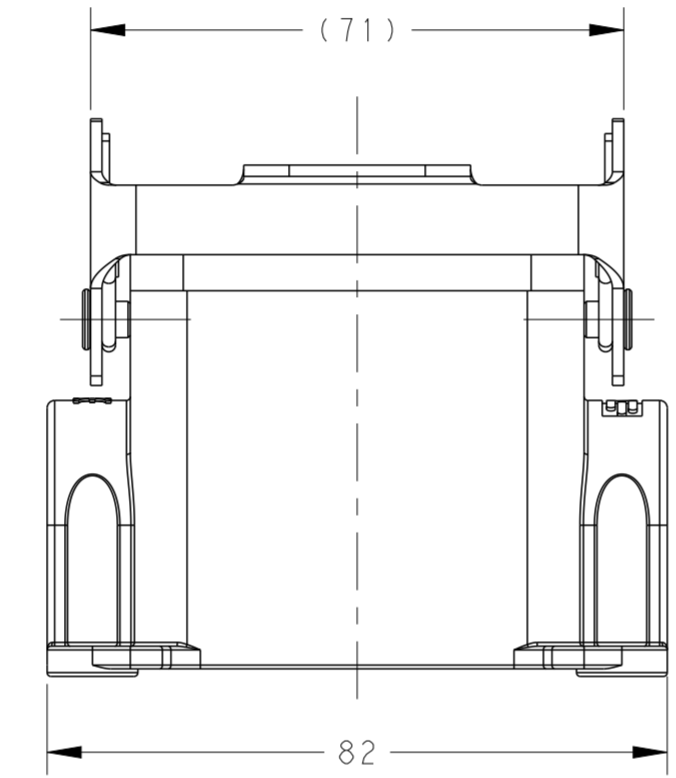
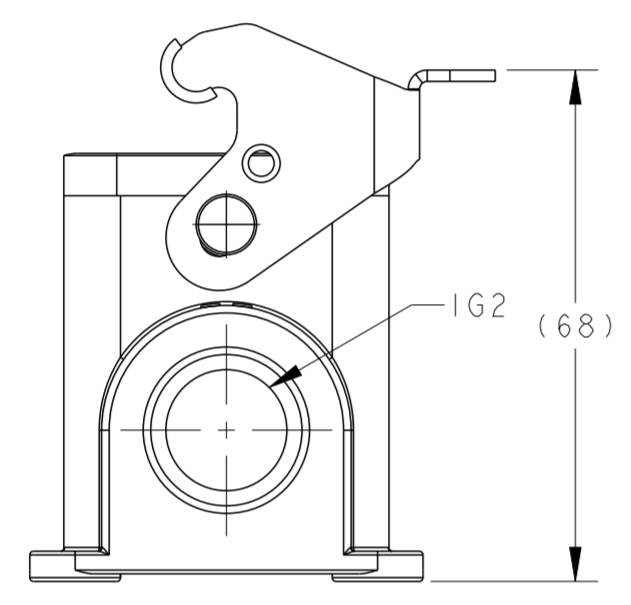
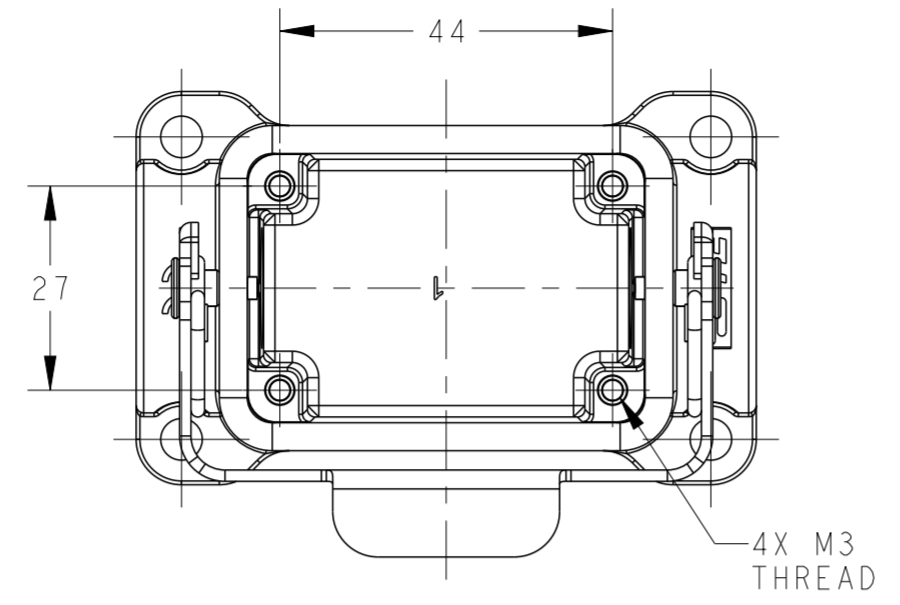


THIS DRAWING IS UNPUBLISHED. RELEASED FOR PUBLICATION 20
 © COPYRIGHT 20 BY - ALL RIGHTS RESERVED.

REVISIONS				
P	LTR	DESCRIPTION	DATE	APVD
A		INITIAL	23JUN2015	DW CW
B		ECR-20-007968	12JUN2020	WOR CW



NOTES:
 1. TECHNICAL CHARACTERISTICS:
 HOUSING MATERIAL: DIE CAST ALUMINIUM ALLOY
 SURFACE: POWDER COATED, GREY
 DEGREE OF PROTECTION: IP65 (MATED)

注释:
 1. 技术参数:
 下壳材料: 铝合金
 表面处理: 粉末涂层, 灰色
 防护等级: IP65(配合)

T1610063113-000	H6B-SGR-PG13.5	PG13.5	-	
T1610063116-000	H6B-SGR-PG16	PG16	-	
T1610063120-000	H6B-SGR-M20	M20	-	
T1610063121-000	H6B-SGR-PG21	PG21	-	
T1610063125-000	H6B-SGR-M25	M25	-	
T1610063216-000	H6B-SGR-2PG16	PG16	PG16	
T1610063220-000	H6B-SGR-2M20	M20	M20	
T1610063225-000	H6B-SGR-2M25	M25	M25	
T1610062516-000	H6B-SGR-M25/PG16	M25	PG16	
T1610062520-000	H6B-SGR-M25/M20	M25	M20	
	PART NUMBER	DESCRIPTION	IG1	IG2

THIS DRAWING IS A CONTROLLED DOCUMENT.

DIMENSIONS:	TOLERANCES UNLESS OTHERWISE SPECIFIED:	DWN	23JUN2015	 TE Connectivity
mm	0 PLC ±	CHK	23JUN2015	
	1 PLC ±	APVD	23JUN2015	
	2 PLC ±	PRODUCT SPEC	108-137013	
	3 PLC ±	APPLICATION SPEC	114-137013	NAME
	4 PLC ±	WEIGHT	-	H6B-SGR-M/PG
MATERIAL	FINISH	Customer Drawing	SCALE	1:1
-	-		SHEET	1
			OF	1
			REV	B

单击下面可查看定价，库存，交付和生命周期等信息

[>>TE Connectivity\(泰科\)](#)