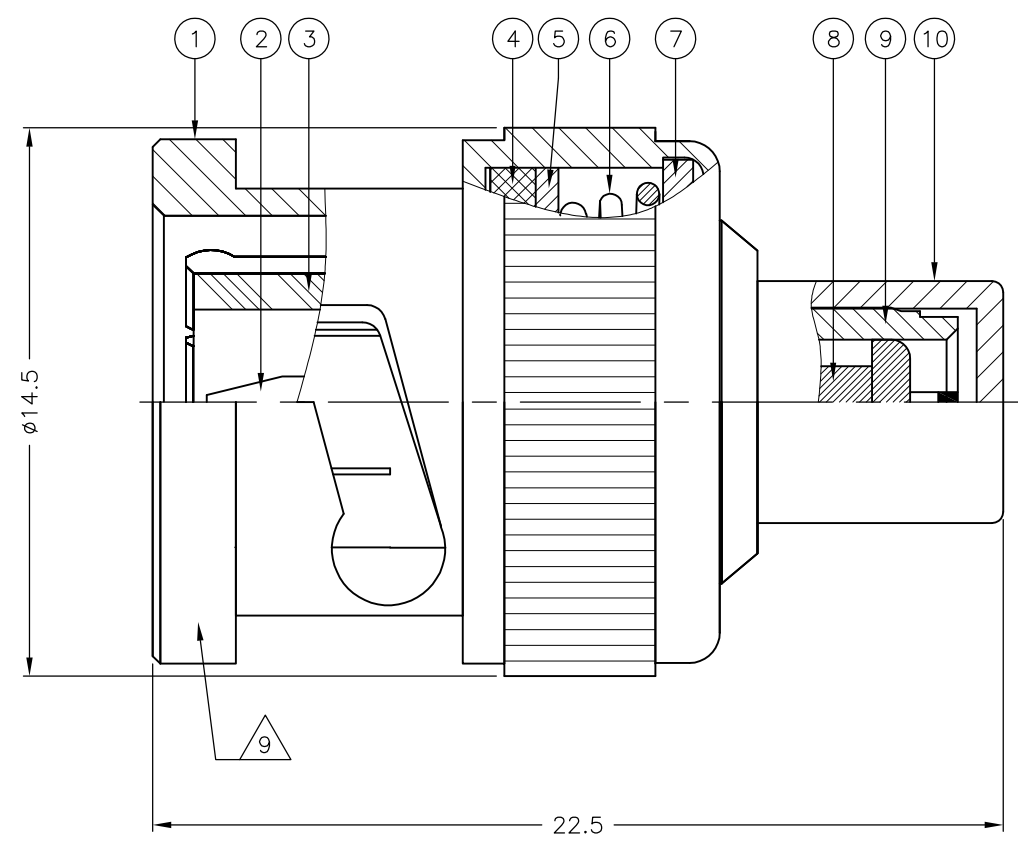


THIS DRAWING IS UNPUBLISHED. RELEASED FOR PUBLICATION DEC ,2005.
 © COPYRIGHT 2005 By - ALL RIGHTS RESERVED.

LOC	DIST	REVISIONS					
E	B	P	LTR	DESCRIPTION	DATE	DWN	APVD
		D		ECO-14-015780	29OCT2014	RZ	MY

- NOTES:**
- ① SINGLE PACKING: ONE CONNECTOR PER LABELED BAG PACKAGED. LABELED PER TEC-107-115
 - ② TRAY PACKAGED
 - ③ Ag PLATING
 - ④ Zn PLATING
 - ⑤ THIS ITEM MUST BE WHITE
 - 6. ELECTRICAL CHARACTERISTICS
 - FREQUENCY RANGE: DC - 1 GHz
 - NOMINAL IMPEDANCE: 50 Ohm
 - INSULATION RESISTANCE: 5000 MOhm
 - WORKING VOLTAGE: 500 Volts RMS at Sea Level
 - DIELECTRIC WITHSTAND VOLTAGE: 1500 Volts RMS Max
 - CONTACT RESISTANCE:
 - CENTER CONTACT: 1.50 mOhm Max
 - OUTER CONTACT: 1.00 mOhm Max
 - VSWR @ 1GHz: 1.3 Max
 - 7. MECHANICAL CHARATERISTICS
 - COUPLING RETENTION FORCE: 266N
 - DURABILITY: 500 Cycles Min
 - 8. ENVIRONMENTAL CHARACTERISTICS
 - OPERATING TEMPERATURE: -65 to +165 DegC
 - ⑨ VALUE MARKED ON CONNECTOR BODY AS SHOWN (SEE TABLE)



QTY	QTY PER ASSY	DESCRIPTION	ITEM
1	1	BRASS	③ CAP
1	1	BRASS	③ BODY
1	1	1/2W-50 OHM	⑨ RESISTOR
1	1	SK-5	③ WASHER
1	1	SPRING STEEL	④ SPRING
1	1	SK-5	③ RETAINING RING
1	1	SILICONE RUBBER	⑤ GASKET
1	1	PTFE	INSULATOR
1	1	BRASS	③ CONTACT
1	1	BRASS	③ SHELL
6--0	1--0	MATERIAL	DESCRIPTION
③	③		
QUANTITY PER ASSY		PARTS LIST	

THIS DRAWING IS A CONTROLLED DOCUMENT.		DWN J.SANDWELL 14DEC05	TE Connectivity NAME BNC PLUG TERMINATION 50 OHM											
DIMENSIONS: mm		CHK S.PARLOW 14DEC05												
TOLERANCES UNLESS OTHERWISE SPECIFIED:		APVD F.WHEELER-KING 14DEC05												
<table border="1"> <tr> <td>0 PLC</td><td>± -</td></tr> <tr> <td>1 PLC</td><td>± 0.5</td></tr> <tr> <td>2 PLC</td><td>± -</td></tr> <tr> <td>3 PLC</td><td>± -</td></tr> <tr> <td>4 PLC</td><td>± -</td></tr> <tr> <td>ANGLES</td><td>± -</td></tr> </table>		0 PLC				± -	1 PLC	± 0.5	2 PLC	± -	3 PLC	± -	4 PLC	± -
0 PLC	± -													
1 PLC	± 0.5													
2 PLC	± -													
3 PLC	± -													
4 PLC	± -													
ANGLES	± -													
MATERIAL SEE TABLE	FINISH -	APPLICATION SPEC -	WEIGHT -	SIZE A3	CAGE CODE 00779	DRAWING NO C-1337463	RESTRICTED TO -							
CUSTOMER DRAWING				SCALE NTS	SHEET 1 OF 1	REV D								

单击下面可查看定价，库存，交付和生命周期等信息

[>>TE Connectivity\(泰科\)](#)